

Milwaukee®

Nothing but **HEAVY DUTY**®



HD18 MS

Original instructions

Originalbetriebsanleitung

Notice originale

Istruzioni originali

Manual original

Oorspronkelijke gebruiksaanwijzing

Original brugsanvisning

Original bruksanvisning

Bruksanvisning i original

Alkuperäiset ohjeet

Πρωτότυπο οδηγιών χρήσης

Orijinal işletme talimatı

Původním návodem k

používání

Pôvodný návod na použitie

Instrukcją oryginalną

Eredeti használati utasítás

Izvirna navodila

Originalne pogonske upute

Instrukcijām oriģinālvalodā

Originali instrukcija

Alguräране kasutusjuhend

Оригинальное руководство по эксплуатации

Оригинално ръководство за експлоатация

Instrucțiuni de folosire originale

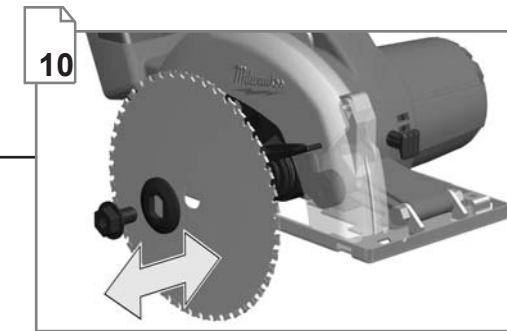
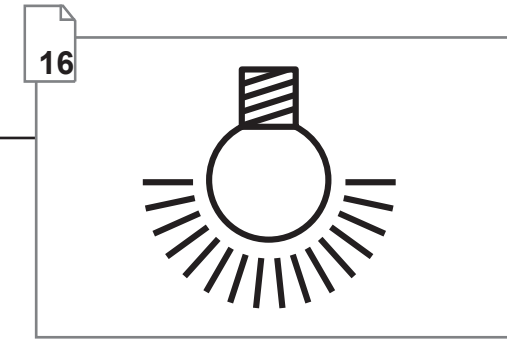
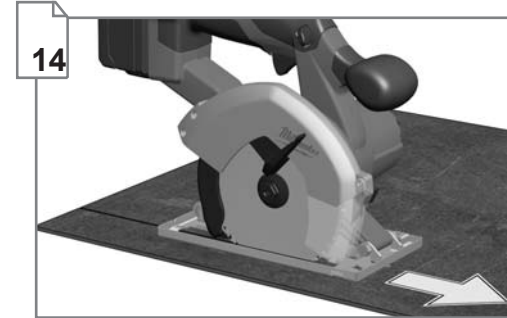
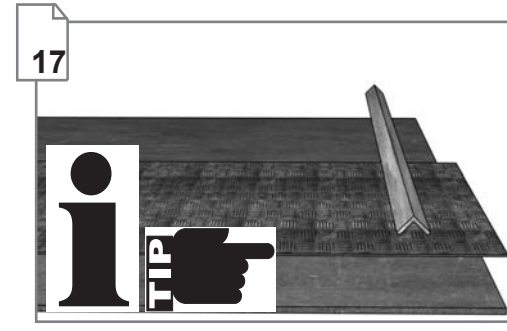
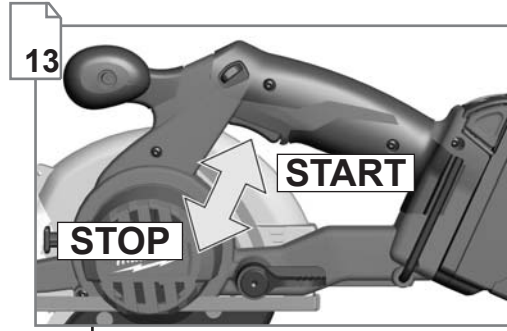
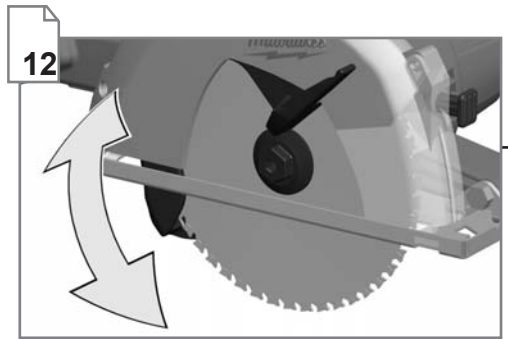
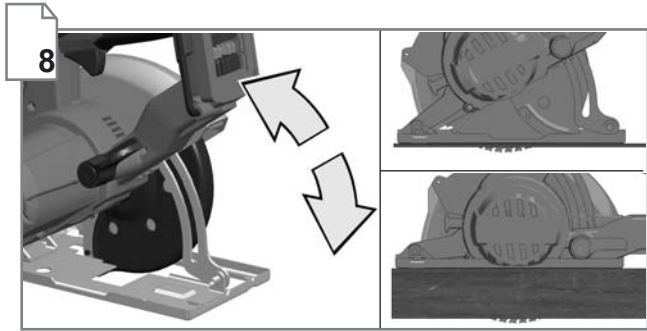
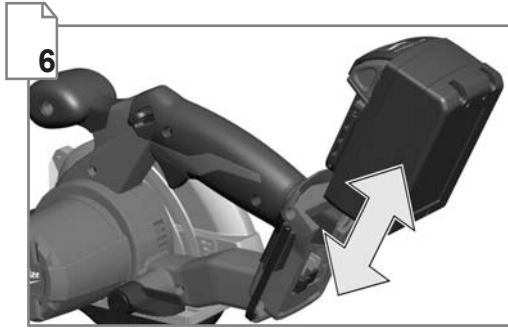
Оригинален прирачник за работа

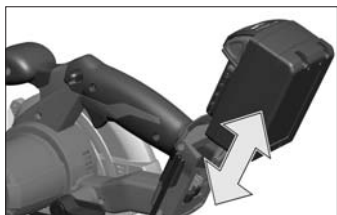
Оригінал інструкції з експлуатації

التعليمات الأصلية

ENGLISH		Picture section with operating description and functional description	4
DEUTSCH		Bildteil mit Anwendungs- und Funktionsbeschreibungen	4
FRANÇAIS		Partie imagée avec description des applications et des fonctions	4
ITALIANO		Sezione illustrata con descrizione dell'applicazione e delle funzioni	4
ESPAÑOL		Sección de ilustraciones con descripción de aplicación y descripción funcional	4
PORTUGUES		Parte com imagens explicativas contendo descrição operacional e funcional	4
NEDERLANDS		Beelddedeelte met toepassings- en functiebeschrijvingen	4
DANSK		Billedel med anvendelses- og funktionsbeskrivelser	4
NORSK		Billedel med bruks- og funksjonsbeskrivelse	4
SVENSKA		Bilddel med användnings- och funktionsbeskrivning	4
SUOMI		Kuvasivut käyttö- ja toimintakuvaukset	4
ΕΛΛΗΝΙΚΑ		Τμήμα εικόνων με περιγραφές χρήσης και λειτουργίας	4
TÜRKÇE		Resim bölümü Uygulama ve fonksiyon açıklamaları ile birlikte	4
ČESKY		Obrazová část s popisem aplikací a funkcí	4
SLOVENSKY		Obrazová část s popisom aplikácií a funkcií	4
POLSKI		Część rysunkowa z opisami zastosowania i działania	4
MAGYAR		Képes részalkalmazási- és működési leírásokkal	4
SLOVENSKO		Del slike z opisom uporabe in funkcij	4
HRVATSKI		Dio sa slikama opisima primjene i funkcija	4
LATVISKI		Attēla daļa ar lietošanas un funkciju aprakstiem	4
LIETUVIŠKAI		Paveikslėlio dalis su vartojimo instrukcija ir funkcijų aprašymais	4
EESTI		Pildiosa kasutusjuhendi ja funktsioonide kirjeldusega	4
РУССКИЙ		Раздел иллюстраций с описанием эксплуатации и функций	4
БЪЛГАРСКИ		Част със снимки с описание за приложение и функции	4
ROMÂNIA		Secvența de imagine cu descrierea utilizării și a funcționării	4
МАКЕДОНСКИ		Дел со сликисо описи за употреба и функционирање	4
УКРАЇНСЬКА		Частина з зображеннями з описом робіт та функцій	4
عربي		قسم الصور يوجد به الوصف التشغيلي والوظيفي	4

Text section with Technical Data, important Safety and Working Hints and description of Symbols	20
Textteil mit Technischen Daten, wichtigen Sicherheits- und Arbeitshinweisen und Erklärung der Symbole.	23
Partie textuelle avec les données techniques, les consignes importantes de sécurité et de travail ainsi que l'explication des pictogrammes.	26
Sezione testo con dati tecnici, importanti informazioni sulla sicurezza e sull'utilizzo, spiegazione dei simboli.	29
Sección de texto con datos técnicos, indicaciones importantes de seguridad y trabajo y explicación de los símbolos.	32
Parte com texto explicativo contendo Especificações técnicas, Avisos de segurança e de operação e a Descrição dos símbolos.	35
Tekstgedeelte met technische gegevens, belangrijke veiligheids- en arbeidsinstructies en verklaring van de symbolen.	38
Tekstdel med tekniske data, vigtige sikkerheds- og arbejdsanvisninger og symbolforklaring.	41
Tekstdel med tekniske data, viktige sikkerhets- og arbeidsinstruksjoner og forklaring av symbolene.	44
Textdel med tekniska informationer, viktiga säkerhets- och användningsinstruktioner samt symbolförklaringar.	47
Tekstisivut: tekniset tiedot, tärkeät turvallisuus- ja työskentelyohjeet sekä merkien selitykset.	50
Τμήμα κειμένου με τεχνικά χαρακτηριστικά, σημαντικές υποδείξεις ασφαλείας και εργασίας και εξήγηση των συμβόλων.	53
Teknik bilgileri, önemli güvenlik ve çalışma açıklamalarını ve de sembollerin açıklamalarını içeren metin bölümü.	56
Textová část s technickými daty, důležitými bezpečnostními a pracovními pokyny a s vysvětlivkami symbolů	59
Textová část s technickými dátami, dôležitými bezpečnostnými a pracovními pokynmi a s vysvetlivkami symbolov	62
Część opisowa z danymi technicznymi, ważnymi wskazówkami dotyczącymi bezpieczeństwa i pracy oraz objaśnieniami symboli.	65
Szöveges rész műszaki adatokkal, fontos biztonsági- és munkavégzési útmutatásokkal, valamint a szimbólumok magyarázata.	68
Del besedila s tehničnimi podatki, pomembnimi varnostnimi opozorili in delovnimi navodili in pojasnili simbolov.	71
Dio štiva sa tehničkim podacima, važnim sigurnosnim i radnim uputama i objašnjenjem simbola.	74
Teksta daļa ar tehnikajiem parametriem, svarīgiem drošības un darbības norādījumiem, simbolu atšifrējumiem.	77
Teksto dalis su techniniais duomenimis, svarbiomis saugumo ir darbo instrukcijomis bei simbolių paaiškinimais.	80
Tekstiosa tehniliste näitajate, oluliste ohutus- ja tööjuhenditega ning sümbolite kirjeldustega.	83
Текстовый раздел, включающий технические данные, важные рекомендации по безопасности и эксплуатации, а также описание используемых символов.	86
Част с текст с технически данни, важни указания за безопасност и работа и разяснение на символите.	89
Porțiune de text cu date tehnice, indicații importante privind siguranța și modul de lucru și descrierea simbolurilor.	92
Текстуален дел со Технички карактеристики, важни безбедносни и работни упатства и објаснување на символите.	95
Текстова частина з техничними даними, важливими вказівками з техніки безпеки та експлуатації і поясненням символів.	98
القسم النصي المزود بالبيانات الفنية والنصائح الهامة للسلامة والعمل ووصف الرموز	103





Remove the battery pack before starting any work on the machine.

Vor allen Arbeiten an der Maschine den Wechselakku herausnehmen

Avant tous travaux sur la machine retirer l'accu interchangeable.

Prima di iniziare togliere la batteria dalla macchina.

Retire la batería antes de comenzar cualquier trabajo en la máquina.

Antes de efectuar cualquier intervención na máquina retirar o bloco acumulador.

Voor alle werkzaamheden aan de machine de akku verwijderen.

Ved arbejde inden i maskinen, bør batteriet tages ud.

Ta ut vekselbatteriet før du arbeider på maskinen

Drag ur batteripaket innan arbete utföres på maskinen.

Tarkista pistotulppa ja verkkojohto mahdollisilta vaurioilta. Viat saa korjata vain alan erikoismies.

Πριν από κάθε εργασία στη μηχανή αφαιρέστε την ανταλλακτική μπαταρία.

Aletin kendinge bir çalışma yapmadan önce kartuş aküyü çıkarın.

Před zahájením veškerých prací na vrtacím šroubovákú vyjmout výměnný akumulátor.

Pred každou prácou na stroji výmenný akumulátor vytiahnuť.

Przed przystąpieniem do jakichkolwiek prac na elektronarzędziu należy wyjąć wkładkę akumulatorową.

Karbantartás, javítás, tisztítás, stb. előtt az akkumulátort ki kell venni a készülékből.

Pred deli na stroju izvlcite izmenljivi akumulator.

Prije svih radova na stroju izvaditi bateriju za zamjenu.

Pirms mašīnai veikt jebkāda veida apkopes darbus, ir jāizņem ārā akumulātors.

Prieš atikdami bet kokius darbus įrenginyje, išimkite keičiamą akumuliatorių.

Enne kõiki töid masina kallal võtke vahetatav aku välja.

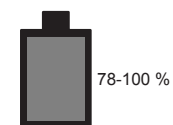
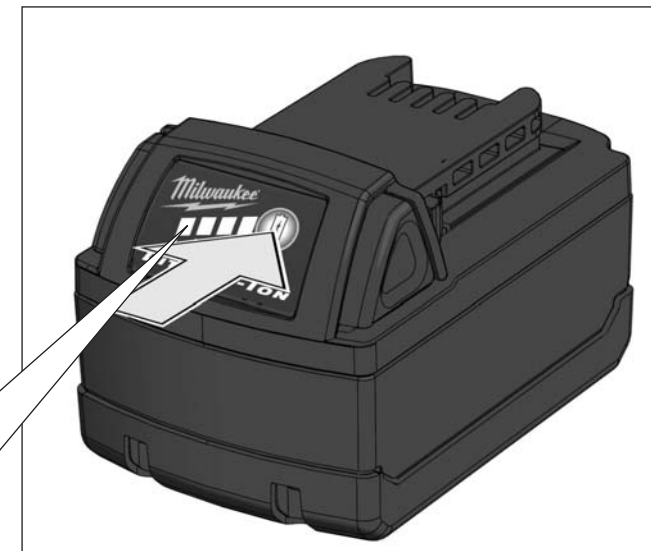
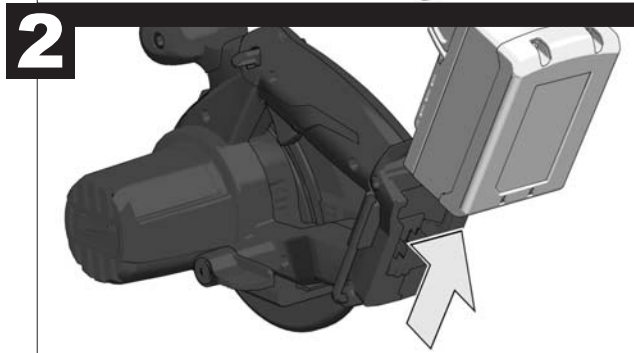
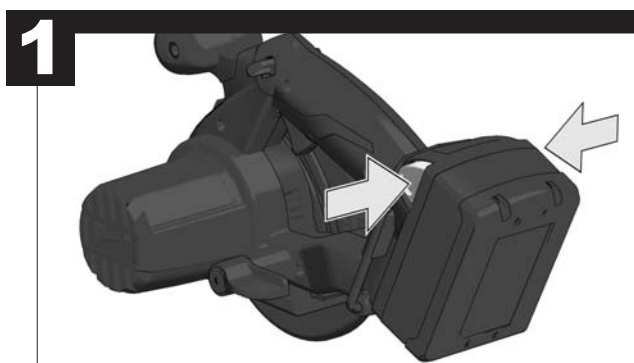
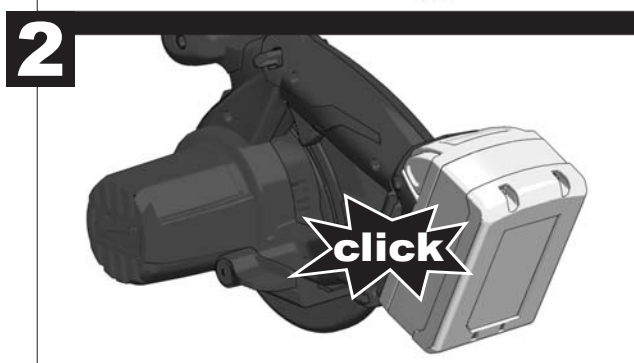
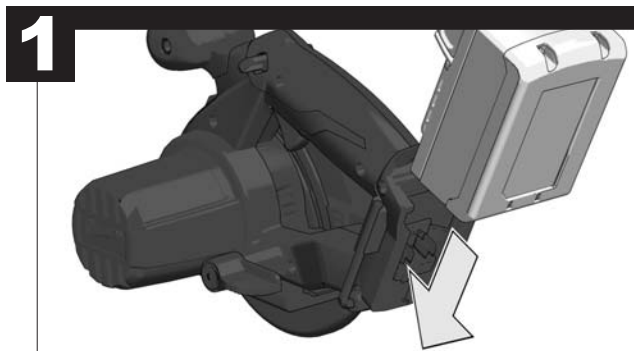
Выньте аккумулятор из машины перед проведением с ней каких-либо манипуляций.

Преди започване на каквото е да е работи по машината извадете акумулатора.

Scoateți acumulatorul înainte de a începe orice intervenție pe mașină.

Перед будь-якими роботами на машині ви́няти змінну акумуляторну батарею.

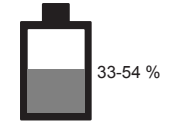
تم إزالة حزمة البطارية قبل البدء في أي أعمال على الجهاز.



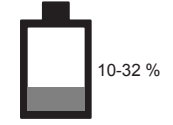
78-100 %



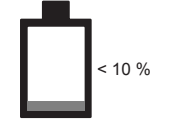
55-77 %



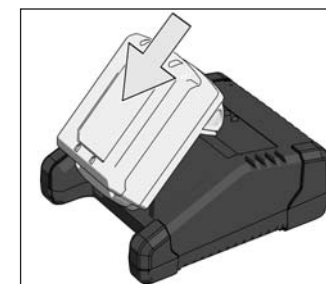
33-54 %

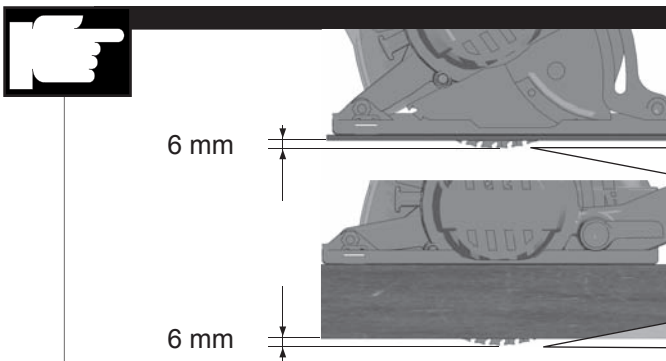
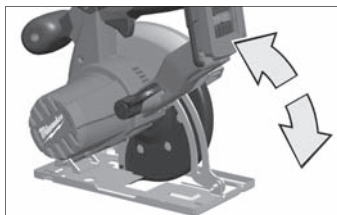


10-32 %



< 10 %





Adjust the cutting depth to the thickness of the workpiece. Less than a full tooth of the blade teeth should be visible below the workpiece.

Passen Sie die Schnitttiefe an die Dicke des Werkstücks an. Es sollte weniger als eine volle Zahnhöhe unter dem Werkstück sichtbar sein.

Adapter la profondeur de coupe à l'épaisseur de la pièce. Moins d'une dent complète devrait apparaître sous la pièce.

Adattare la profondità di taglio allo spessore del pezzo in lavorazione. Nella parte inferiore del pezzo in lavorazione dovrebbe essere visibile meno della completa altezza del dente.

Adaptar la profundidad de corte al grosor de la pieza de trabajo. La hoja de sierra no deberá sobresalir más de un diente de la pieza de trabajo.

Adaptar a profundidade de corte à espessura da peça a ser trabalhada. Deveria estar visível por aproximadamente menos do que uma altura de dente abaixo da peça a ser trabalhada.

Pas de zaagdiepte aan de dikte van het werkstuk aan. Er dient minder dan een volledige tandhoogte onder het werkstuk zichtbaar te zijn.

Tilpas skjæredybden efter arbejdsstykkets tykkelse. Der må maksimalt være en hel tandhøjde synlig under emnet.

Tilpass skjæredybden til tykkelsen på arbeidsstykket. Det skal være mindre enn en full tannhøyde synlig under arbeidsstykket.

Anpassa sågdiupet till arbetsstyckets tjocklek. Den synliga delen av en tand under arbetsstycket måste vara mindre än en hel tand.

Aseta leikkaussyvyys työkalpaleen paksuuden mukaan. Työkappaleen alla tulisi terää näkyä korkeintaan täysi hammaskorkeus.

Προσαρμόστε το βάθος κοπής στο πάχος του υπό κατεργασία τεμαχίου. Κάτω το υπό κατεργασία τεμάχιο πρέπει να φαίνεται λιγότερο από ένα ολόκληρο δόντι του πριονόδισκου.

Kesme derinliğini iş parçasının kalınlığına göre ayarlayın. İş parçası altında tam diş uzunluğunun daha azı görünmelidir.

Prizpůsobte hloubku řezu tloušťce obrobku. Pod obrobkem by měla být viditelná méně než celá výška zuba.

Hrúbku rezu prispôbte hrúbke obrobka. Pod obrobkom by malo byť vidieť menej prílového listu ako plnú výšku zuba píly.

Głębokość cięcia należy dopasować do grubości obrabianego przedmiotu. Powinno być widoczne mniej jak pełna wysokość zębów pod obrabianym przedmiotem.

A vágási mélységet a munkadarab vastagságának megfelelően kell megválasztani. A fűrészlapból a munkadarab alatt kevesebb mind egy teljes fogmagasságnynak kell kilátszania.

Prosimo, da globino reza prilagodite debelini obdelovanca. Znaša naj manj kot višina zoba, ki je vidna pod obdelovancem.

Prilagodite dubinu rezanja debljini izratka. Ispod izratka treba biti vidljiv manje od jedan puni zub.

Izvēlieties zāiņķšanas dziļumu, kas atbilst zāiņķjamā priekšmeta biezumam. Zāiņķšanas dziļumam jābūt tik lielam, lai zem zāiņķjamā priekšmeta redzamās asmens daļas augstums būtu mazāks par asmens zobu augstumu.

Přiovimo gylą tinkamai nustatykite pagal ruošinio storą. Ruošinio apačioje turi matytis tiek mažiau, nei per visą pjūklą danties aukštą, išlindusi disko dalis.

Kohandage lõikesügavus tooriku paksusega. Saeketas võib tooriku alt vähem kui ühe täishamba võrra välja ulatuda.

Устанавливайте глубину реза в соответствии с толщиной детали. Под деталью пильное полотно не должно высывываться более чем на один зуб.

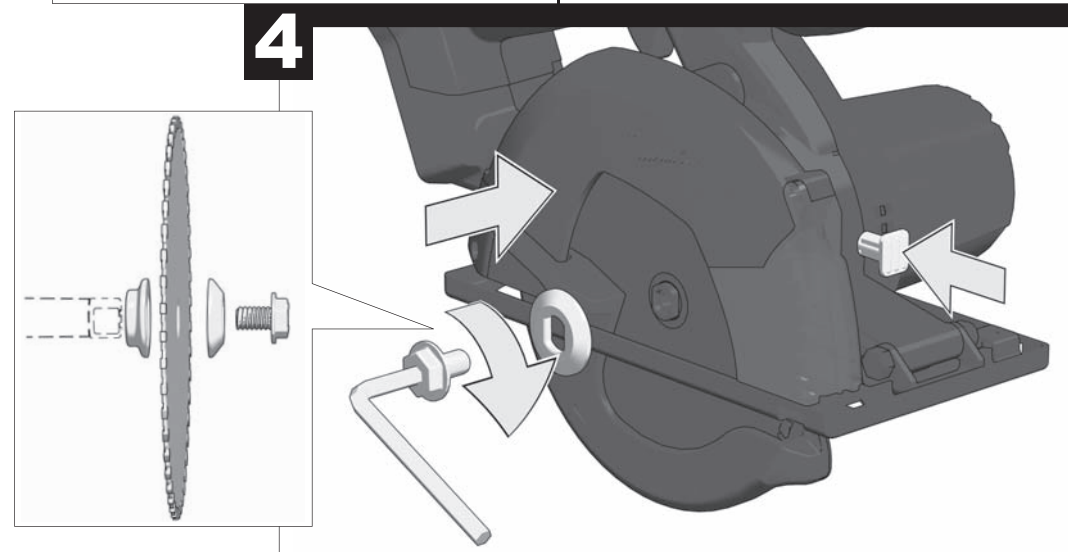
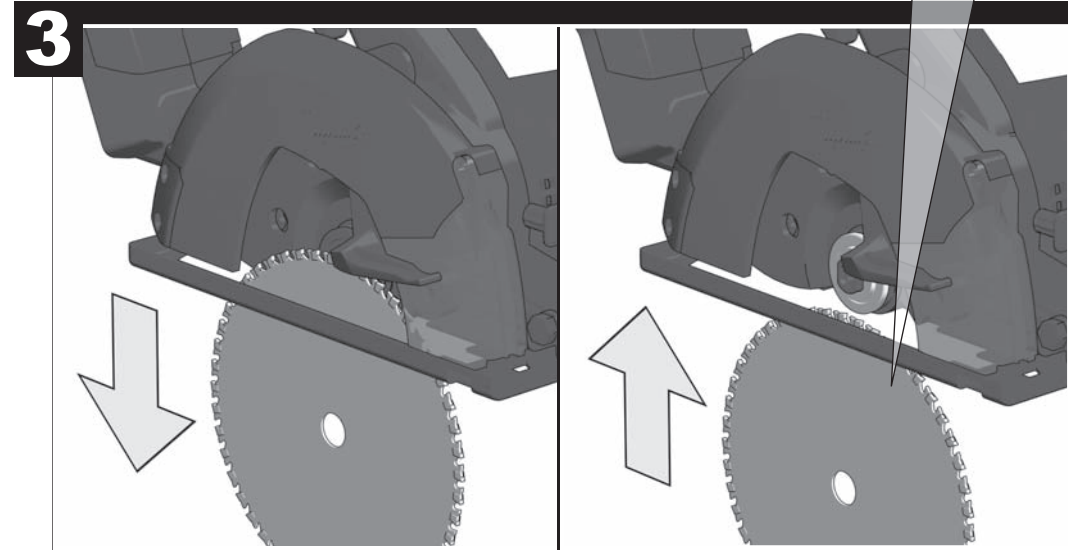
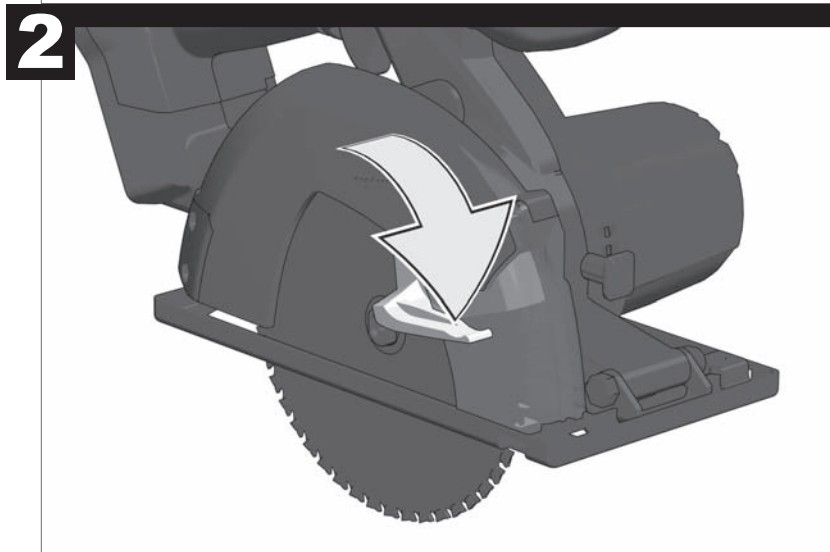
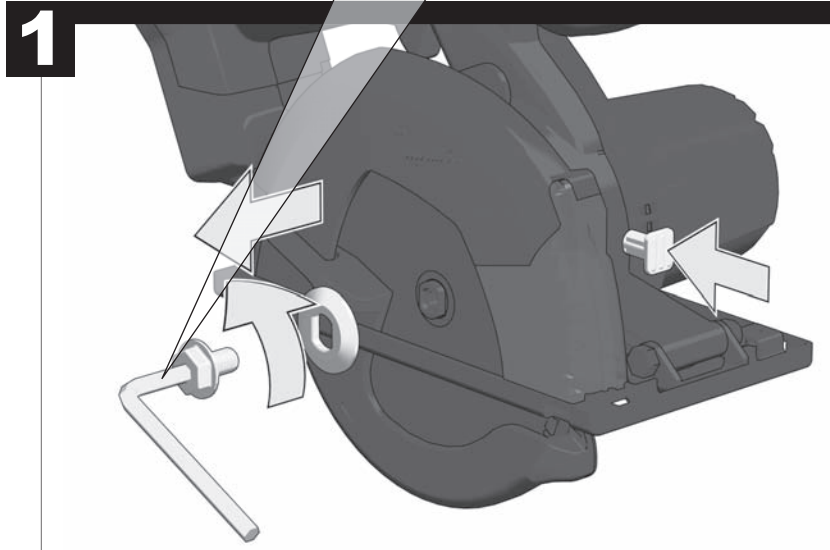
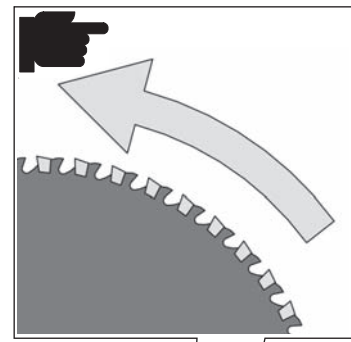
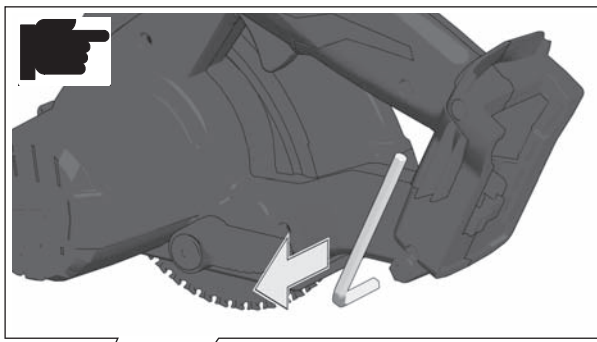
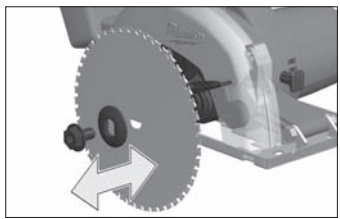
Винаги настройвайте дълбочината на рязане съобразно дебелината на стената на обработвания детайл. От обратната страна на детайла дискът трябва да се подава на разстояние, по-малко от една височина на зъба.

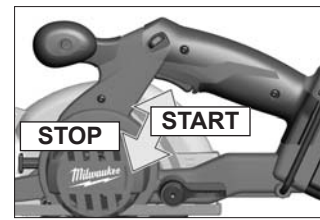
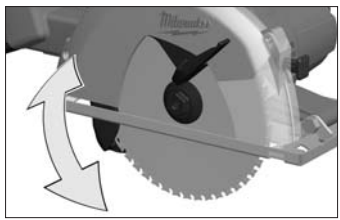
Adaptați adâncimea de tăiere la grosimea piesei de lucru. Sub piesa de lucru ar trebui să se vadă mai puțin de înălțimea întregă a unui dinte.

Прилагодете ја длабочината на засекот во зависност од густината на обработуваното парче. Нешто помалку од цел забец од сечилото треба да биде видлив под работното парче.

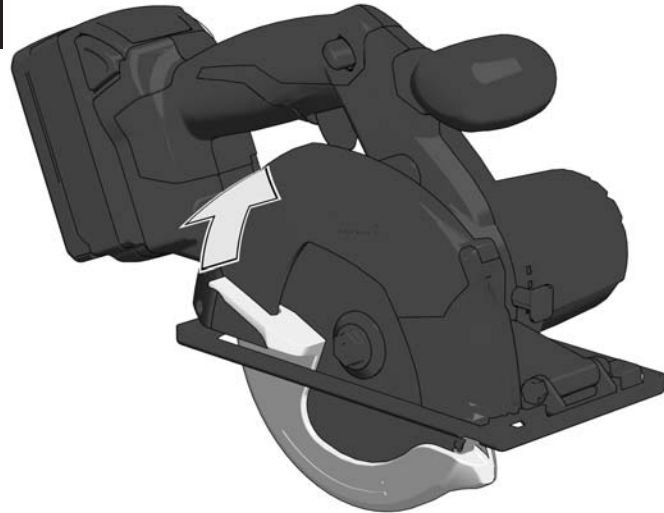
Глибина різання повинна відповідати товщині заготовки. Під заготовкою пилковий диск має виступати не більше, ніж на одну повну висоту зубців.

اضبط عمق القطع وفقاً لسماك قطعة العمل. يجب أن تظهر الأسنان أقل من كامل طولها تحت قطعة العمل.

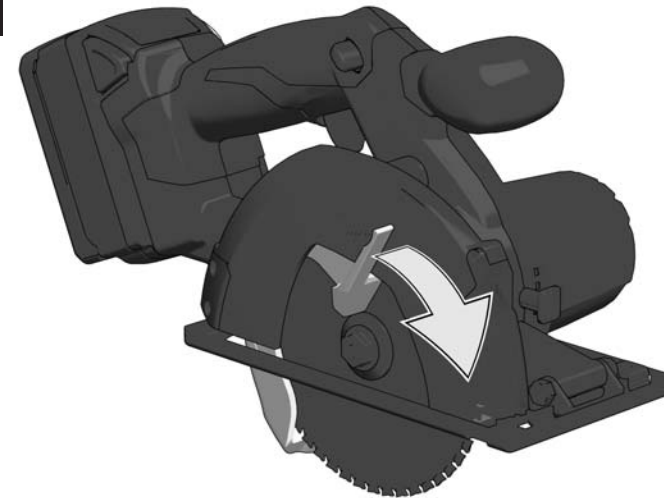




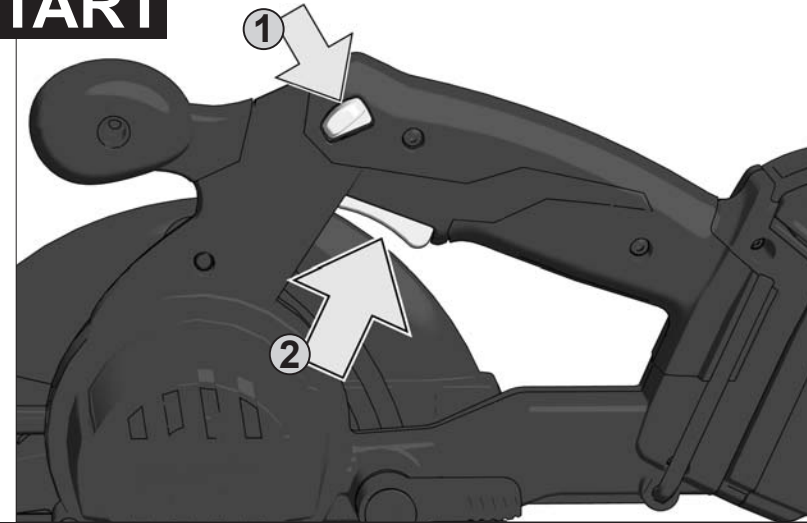
1



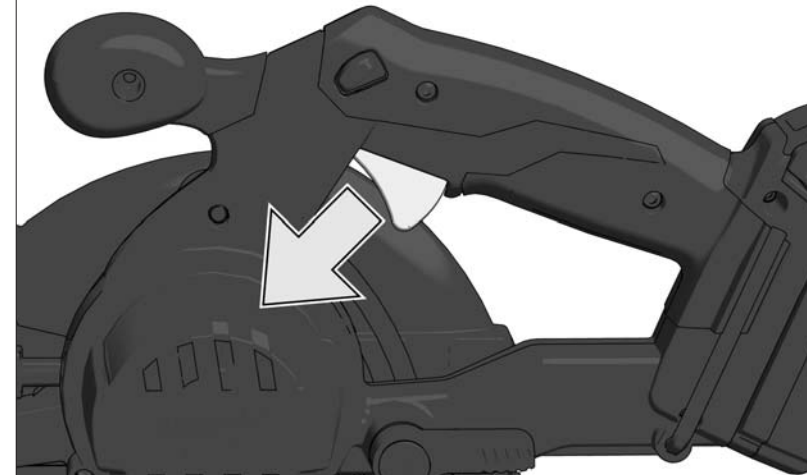
2

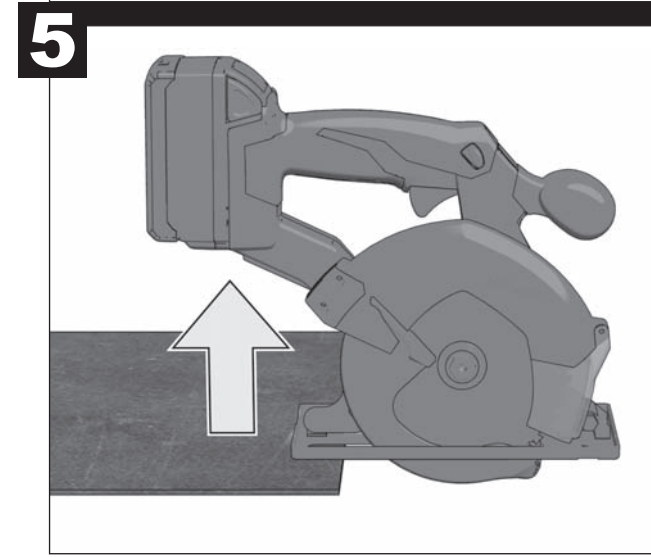
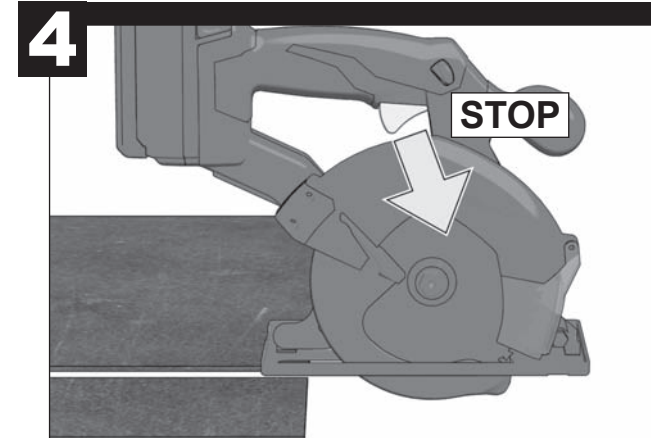
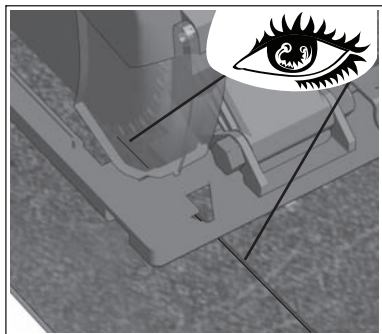
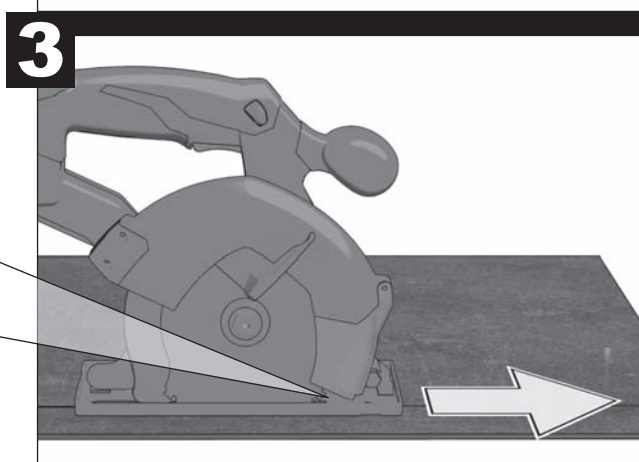
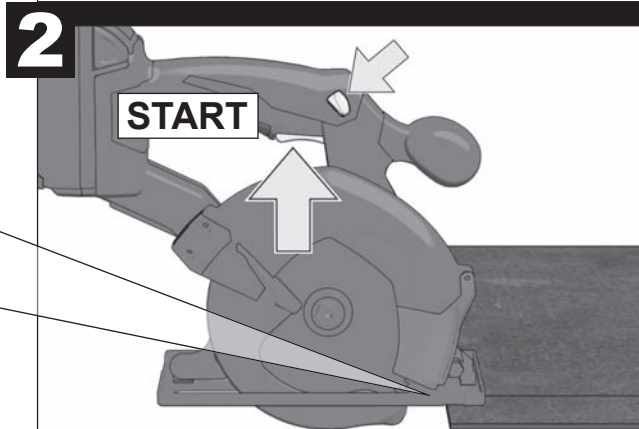
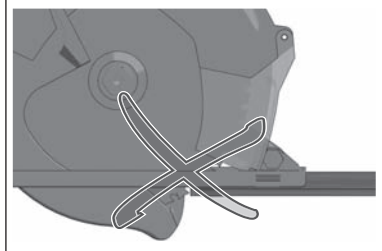
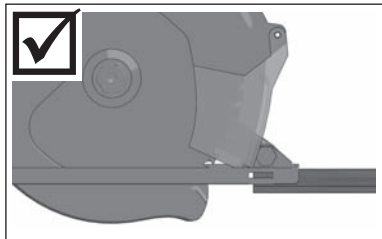
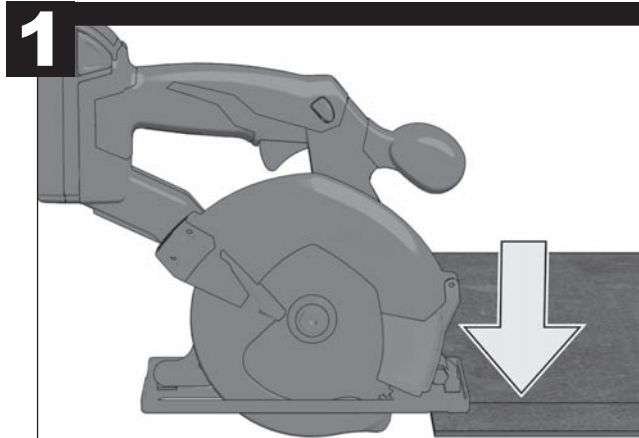
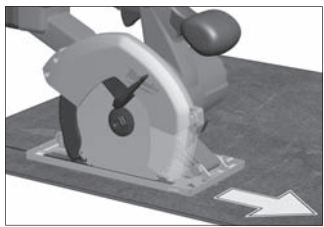


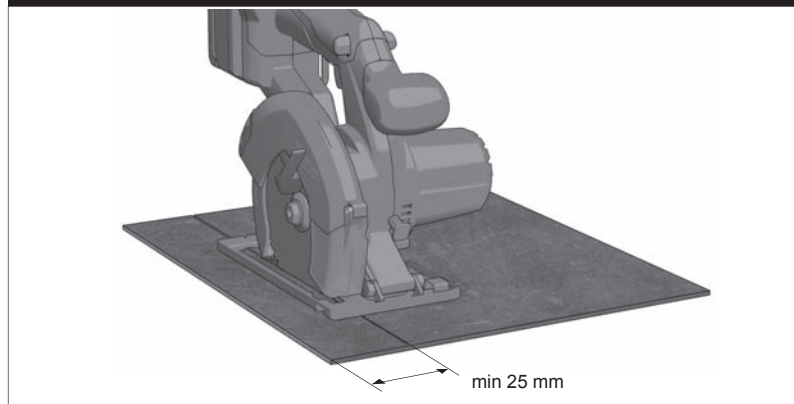
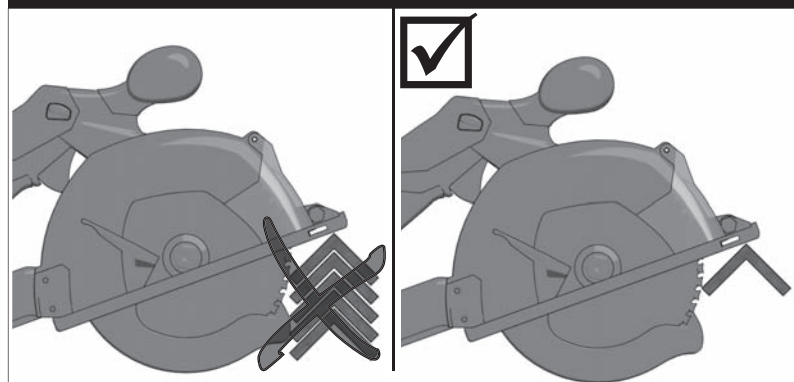
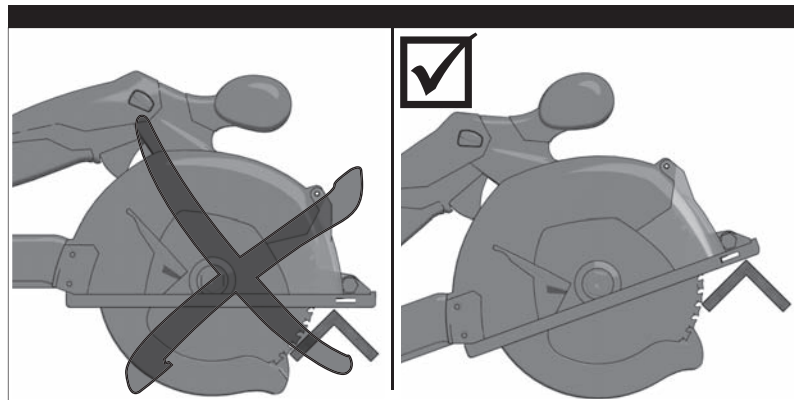
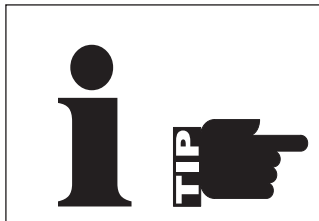
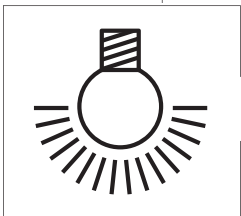
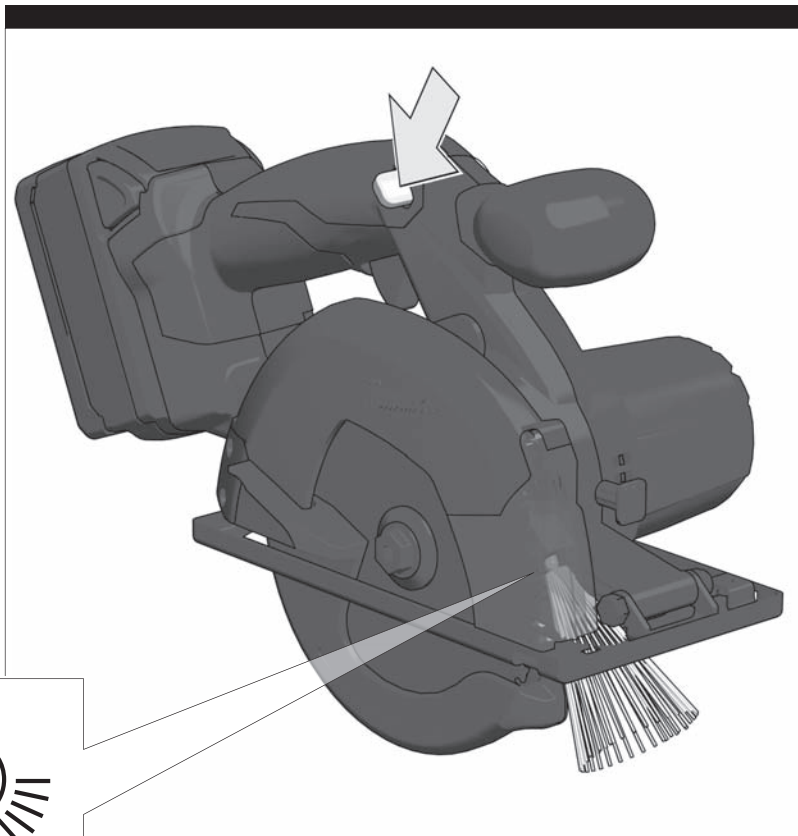
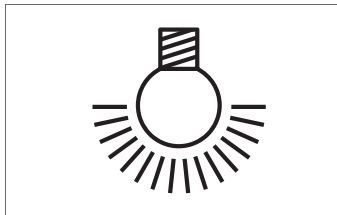
START

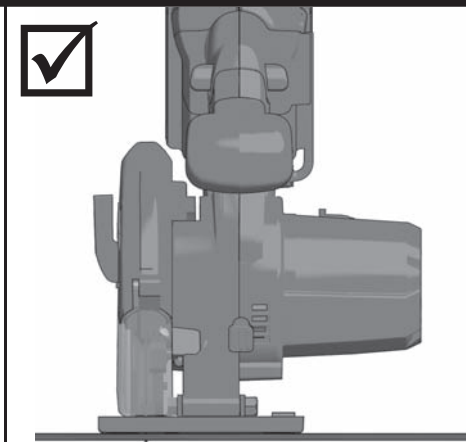
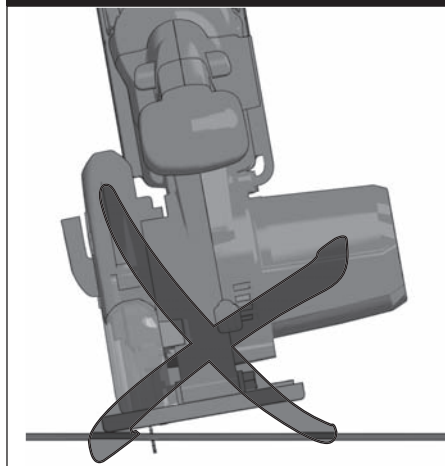
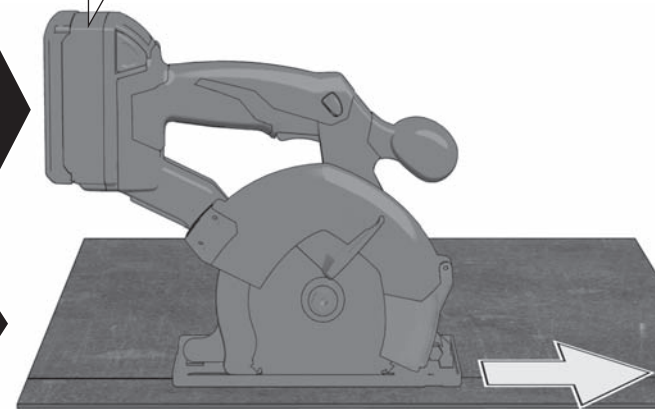
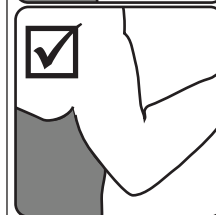
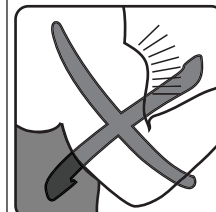
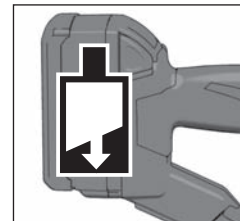
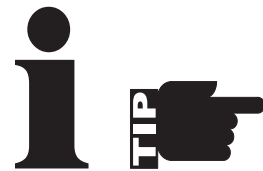
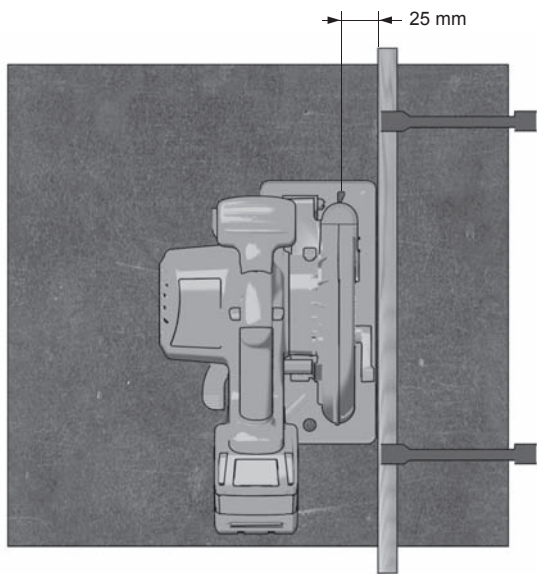
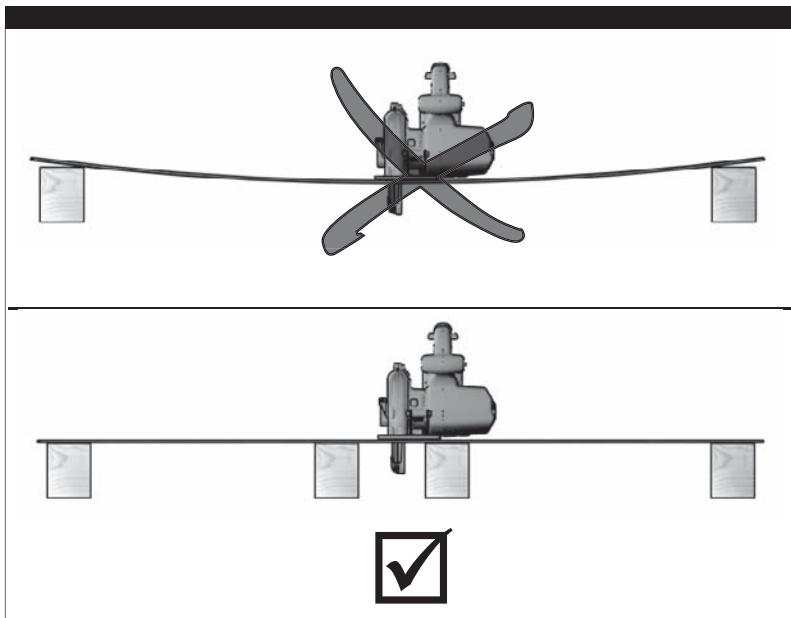
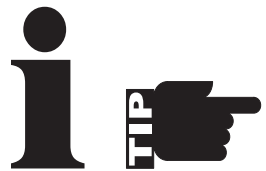


STOP









TECHNICAL DATA	METAL SAW	HD 18 MS
Production code.....	4312 58 02...	...000001-999999
No-load speed	3600 min ⁻¹	
Saw blade dia. x hole dia.....	135 x 20 mm	
Maximum cutting capacity:		
Steel plate.....	1,6 mm	
Metal pipe.....	∅ 50 mm	
Sections.....	51 mm	
Battery voltage.....	18 V	
Weight according EPTA-Procedure 01/2003.....	2,6 kg	

Noise/vibration information

Measured values determined according to EN 60 745.

Typically, the A-weighted noise levels of the tool are:

Sound pressure level (Uncertainty K=3dB(A))..... 75 dB (A)

Sound power level (Uncertainty K=3dB(A))..... 86 dB (A)

Wear ear protectors!

Total vibration values (vector sum in the three axes)

determined according to EN 60745.

Vibration emission value a_h..... < 2,5 m/s²

Uncertainty K..... 1,5 m/s²

WARNING

The vibration emission level given in this information sheet has been measured in accordance with a standardised test given in EN 60745 and may be used to compare one tool with another. It may be used for a preliminary assessment of exposure.

The declared vibration emission level represents the main applications of the tool. However if the tool is used for different applications, with different accessories or poorly maintained, the vibration emission may differ. This may significantly increase the exposure level over the total working period.

An estimation of the level of exposure to vibration should also take into account the times when the tool is switched off or when it is running but not actually doing the job. This may significantly reduce the exposure level over the total working period.

Identify additional safety measures to protect the operator from the effects of vibration such as: maintain the tool and the accessories, keep the hands warm, organisation of work patterns.

⚠ WARNING! Read all safety warnings and all instructions. Failure to follow the warnings and instructions may result in electric shock, fire and/or serious injury. **Save all warnings and instructions for future reference.**

⚠ CIRCULAR SAW SAFETY WARNINGS

Cutting procederes

⚠ Danger: Keep hands away from cutting area and the blade. Keep your second hand on auxiliary handle, or motor housing. If both hands are holding the saw, they cannot be cut by the blade.

Do not reach underneath the workpiece. The guard cannot protect you from the blade below the workpiece.

Adjust the cutting depth to the thickness of the workpiece. Less than a full tooth of the blade teeth should be visible below the workpiece.

Never hold piece being cut in your hands or across your leg. Secure the workpiece to a stable platform. It is important to support the work properly to minimize body exposure, blade binding, or loss of control.

Hold power tool by insulated gripping surfaces, when performing an operation where the cutting accessory may contact hidden wiring. Cutting accessory contacting a "live" wire may make exposed metal parts of the power tool "live" and could give the operator an electric shock.

When ripping always use a rip fence or straight edge guide. This improves the accuracy of cut and reduces the chance of blade binding.

Always use blades with correct size and shape (diamond versus round) of arbour holes. Blades that do not match the mounting hardware of the saw will run eccentrically, causing loss of control.

Never use damaged or incorrect blade washers or bolt. The blade washers and bolt were specially designed for your saw, for optimum performance and safety of operation.

Kickback causes and related warnings:

- kickback is a sudden reaction to a pinched, bound or misaligned saw blade, causing an uncontrolled saw to lift up and out of the workpiece toward the operator;
- when the blade is pinched or bound tightly by the kerf closing down, the blade stalls and the motor reaction drives the unit rapidly back toward the operator;
- if the blade becomes twisted or misaligned in the cut, the teeth at the back edge of the blade can dig into the top surface of the wood causing the blade to climb out of the kerf and jump back toward the operator.

Kickback is the result of saw misuse and/or incorrect operating procedures or conditions and can be avoided by taking proper precautions as given below.

Maintain a firm grip with both hands on the saw and position your arms to resist kickback forces. Position your body to either side of the blade, but not in line with the blade. Kickback could cause the saw to jump backwards, but kickback forces can be controlled by the operator, if proper precautions are taken.

When blade is binding, or when interrupting a cut for any reason, release the trigger and hold the saw motionless in the material until the blade comes to a complete stop. Never attempt to remove the saw from the work or pull the saw backward while the blade is in motion or kickback may occur. Investigate and take corrective actions to eliminate the cause of blade binding.

When restarting a saw in the workpiece, centre the saw blade in the kerf and check that saw teeth are not engaged into the material. If saw blade is binding, it may walk up or kickback from the workpiece as the saw is restarted.

Support large panels to minimise the risk of blade pinching and kickback. Large panels tend to sag under their own weight. Supports must be placed under the panel on both sides, near the line of cut and near the edge of the panel.

Do not use dull or damaged blades. Unsharpened or improperly set blades produce narrow kerf causing excessive friction, blade binding and kickback.

Blade depth and bevel adjusting locking levers must be tight and secure before making cut. If blade adjustment shifts while cutting, it may cause binding and kickback.

Use extra caution when sawing into existing walls or other blind areas. The protruding blade may cut objects that can cause kickback.

Lower guard function

Check lower guard for proper closing before each use. Do not operate the saw if lower guard does not move freely and close instantly. Never clamp or tie the lower guard into the open position. If saw is accidentally dropped, lower guard may be bent. Raise the lower guard with the retracting handle and make sure it moves freely and does not touch the blade or any other part, in all angles and depths of cut.

Check the operation of the lower guard spring. If the guard and the spring are not operating properly, they must be serviced before use. Lower guard may operate sluggishly due to damaged parts, gummy deposits, or a build-up of debris.

Lower guard may be retracted manually only for special cuts such as "plunge cuts" and "compound cuts." **Raise lower guard by retracting handle and as soon as blade enters the material, the lower guard must be released.** For all other sawing, the lower guard should operate automatically.

Always observe that the lower guard is covering the blade before placing saw down on bench or floor. An unprotected, coasting blade will cause the saw to walk backwards, cutting whatever is in its path. Be aware of the time it takes for the blade to stop after switch is released.

ADDITIONAL SAFETY AND WORKING INSTRUCTIONS

Remove the battery pack before starting any work on the machine.

Do not dispose of used battery packs in the household refuse or by burning them. Milwaukee Distributors offer to retrieve old batteries to protect our environment.

Do not store the battery pack together with metal objects (short circuit risk).

Use only System C 18 chargers for charging System C 18 battery packs. Do not use battery packs from other systems.

Never break open battery packs and chargers and store only in dry rooms. Keep dry at all times.

The dust produced when using this tool may be harmful to health. Do not inhale the dust. Wear a suitable dust protection mask.

Do not use saw blades not corresponding to the key data given in these instructions for use.

Wear ear protectors. Exposure to noise can cause hearing loss.

Please do not use abrasion disks in this machine!

If the transparent saw blade cover is cracked or broken, it must be replaced immediately by an authorised specialist workshop. The machine must not be operated if the saw blade cover is defective or missing!

SPECIFIED CONDITIONS OF USE

The Metal Saw may be used to cut lengthways and mitre a variety of metals, such as metal profiles (UniStrut), pipes, metal studs, channels, aluminium profiles, metal sheets, etc.

Do not use this product in any other way as stated for normal use.

EC-DECLARATION OF CONFORMITY

We declare under our sole responsibility that the product described under "Technical Data" fulfills all the relevant regulations and the directives 2011/65/EU (RoHS), 2014/30/EU, 2006/42/EC, and the following harmonized standards have been used:

EN 60745-1:2009 + A1:2010

EN 60745-2-5:2010

EN 55014-1:2006 + A1:2009 + A2:2011

EN 55014-2:1997 + A1:2001 + A2:2008

EN 50581:2012

Winnenden, 2016-03-29



Alexander Krug
Managing Director



Authorized to compile the technical file.

Techronic Industries GmbH
Max-Eyth-Straße 10
71364 Winnenden
Germany

BATTERIES

Please take note of the specific information relating to Milwaukee 18V rechargeable batteries in the instruction manual for the charger.

Battery packs which have not been used for some time should be recharged before use.

Temperatures in excess of 50°C (122°F) reduce the performance of the battery pack. Avoid extended exposure to heat or sunshine (risk of overheating).

The contacts of chargers and battery packs must be kept clean.

For an optimum life-time, the battery packs have to be fully charged, after use.

To obtain the longest possible battery life remove the battery pack from the charger once it is fully charged.

For battery pack storage longer than 30 days:
Store the battery pack where the temperature is below 27°C and away from moisture
Store the battery packs in a 30% - 50% charged condition
Every six months of storage, charge the pack as normal.

BATTERY PACK PROTECTION

In extremely high torque, binding, stalling and short circuit situations that cause high current draw, the tool will vibrate for about 2 seconds and then the tool will turn OFF.

To reset, release the trigger.

Under extreme circumstances, the internal temperatur of the battery could become to high. If this happens, the battery will shut down.

Place the battery on the charger to charge and reset it.

TRANSPORTING LITHIUM BATTERIES

Lithium-ion batteries are subject to the Dangerous Goods Legislation requirements.

Transportation of those batteries has to be done in accordance with local, national and international provisions and regulations.

- The user can transport the batteries by road without further requirements.
- Commercial transport of Lithium-Ion batteries by third parties is subject to Dangerous Goods regulations. Transport preparation and transport are exclusively to be carried out by appropriately trained persons and the process has to be accompanied by corresponding experts.

When transporting batteries:

- Ensure that battery contact terminals are protected and insulated to prevent short circuit.
- Ensure that battery pack is secured against movement within packaging.
- Do not transport batteries that are cracked or leak.

Check with forwarding company for further advice

ADVICE FOR OPERATION

The machine switches off automatically if the motor is overloaded. Allow it to cool, press the overload button and restart the machine. If the overload protection switches off frequently, reduce the cutting pressure or depth of cut.

MAINTENANCE

Be sure to disconnect the tool from the power supply before attaching or removing the saw blade.

Clean tool and guarding system with dry cloth. Certain cleaning agents and solvents are harmful to plastics and other insulated parts. Keep the apparatus handle clean, dry and free of spill oil or grease. Check the function of guards. Regular maintenance and cleaning provide for a long service life and safe handling.

Use only Milwaukee accessories and Milwaukee spare parts. Should components need to be replaced which have not been described, please contact one of our Milwaukee service agents (see our list of guarantee/service addresses).

If needed, an exploded view of the tool can be ordered. Please state the machine type printed as well as the six-digit No. on the label and order the drawing at your local service agents or directly at: Techtronic Industries GmbH, Max-Eyth-Straße 10, 71364 Winnenden, Germany.

SYMBOLS



CAUTION! WARNING! DANGER!



Remove the battery pack before starting any work on the machine.



Please read the instructions carefully before starting the machine.



Always wear goggles when using the machine.



Do not dispose of electric tools together with household waste material. Electric tools and electronic equipment that have reached the end of their life must be collected separately and returned to an environmentally compatible recycling facility. Check with your local authority or retailer for recycling advice and collection point.



European Conformity Mark



National mark of conformity Ukraine



EurAsian Conformity Mark.

TECHNISCHE DATEN

METALLSÄGE

HD 18 MS

Produktionsnummer	4312 58 02...
.....	...000001-999999
Leerlaufdrehzahl.....	3600 min ⁻¹
Sägeblatt-ø x Bohrungs-ø	135 x 20 mm
max. Schneidleistung	
Stahlblech	1,6 mm
Rohre	ø 50 mm
Profile	51 mm
Spannung Wechselakku.....	18 V
Gewicht nach EPTA-Prozedur 01/2003.....	2,6 kg

Geräusch/Vibrationsinformation

Messwerte ermittelt entsprechend EN 60 745.

Der A-bewertete Geräuschpegel des Gerätes beträgt typischerweise:

Schalldruckpegel (Unsicherheit K=3dB(A))	75 dB (A)
Schalleistungspegel (Unsicherheit K=3dB(A)).....	86 dB (A)

Gehörschutz tragen!

Schwingungsgesamtwerte (Vektorsumme dreier Richtungen) ermittelt entsprechend EN 60745.

Schwingungsemissionswert a _h	< 2,5 m/s ²
Unsicherheit K =	1,5 m/s ²

WARNUNG

Der in diesen Anweisungen angegebene Schwingungspegel ist entsprechend einem in EN 60745 genormten Messverfahren gemessen worden und kann für den Vergleich von Elektrowerkzeugen miteinander verwendet werden. Er eignet sich auch für eine vorläufige Einschätzung der Schwingungsbelastung.

Der angegebene Schwingungspegel repräsentiert die hauptsächlichen Anwendungen des Elektrowerkzeugs. Wenn allerdings das Elektrowerkzeug für andere Anwendungen, mit abweichenden Einsatzwerkzeugen oder ungenügender Wartung eingesetzt wird, kann der Schwingungspegel abweichen. Dies kann die Schwingungsbelastung über den gesamten Arbeitszeitraum deutlich erhöhen.

Für eine genaue Abschätzung der Schwingungsbelastung sollten auch die Zeiten berücksichtigt werden, in denen das Gerät abgeschaltet ist oder zwar läuft, aber nicht tatsächlich im Einsatz ist. Dies kann die Schwingungsbelastung über den gesamten Arbeitszeitraum deutlich reduzieren.

Legen Sie zusätzliche Sicherheitsmaßnahmen zum Schutz des Bedieners vor der Wirkung von Schwingungen fest wie zum Beispiel: Wartung von Elektrowerkzeug und Einsatzwerkzeugen, Warmhalten der Hände, Organisation der Arbeitsabläufe.

⚠️ WARNUNG! Lesen Sie alle Sicherheitshinweise und Anweisungen. Versäumnisse bei der Einhaltung der Sicherheitshinweise und Anweisungen können elektrischen Schlag, Brand und/oder schwere Verletzungen verursachen. **Bewahren Sie alle Sicherheitshinweise und Anweisungen für die Zukunft auf.**

⚠️ SICHERHEITSHINWEISE FÜR KREISSÄGEN

Sägeverfahren

⚠️ Gefahr: Kommen Sie mit Ihren Händen nicht in den Sägebereich und an das Sägeblatt. Halten Sie mit Ihrer zweiten Hand den Zusatzgriff oder das Motorgehäuse. Wenn beide Hände die Kreissäge halten, kann das Sägeblatt diese nicht verletzen.

Greifen Sie nicht unter das Werkstück. Die Schutzhaube kann Sie unter dem Werkstück nicht vor dem Sägeblatt schützen.

Passen Sie die Schnitttiefe an die Dicke des Werkstücks an. Es sollte weniger als eine volle Zahnhöhe unter dem Werkstück sichtbar sein.

Halten Sie das zu sägende Werkstück niemals in der Hand oder über dem Bein fest. Sichern Sie das Werkstück an einer stabilen Unterlage. Es ist wichtig, das Werkstück gut zu befestigen, um die Gefahr von Körperkontakt, Klemmen des Sägeblattes oder Verlust der Kontrolle zu minimieren.

Halten Sie das Gerät an den isolierten Griffflächen, wenn Sie Arbeiten ausführen, bei denen das Einsatzwerkzeug verborgene Stromleitungen treffen kann. Der Kontakt des Schneidwerkzeugs mit einer spannungsführenden Leitung kann metallene Geräteteile unter Spannung setzen und zu einem elektrischen Schlag führen.

Verwenden Sie beim Längsschneiden immer einen Anschlag oder eine gerade Kantenführung. Dies verbessert die Schnittgenauigkeit und verringert die Möglichkeit, dass das Sägeblatt klemmt.

Verwenden Sie immer Sägeblätter in der richtigen Größe und mit passender Aufnahmebohrung (z.B. sternförmig oder rund). Sägeblätter, die nicht zu den Montageteilen der Säge passen, laufen unrund und führen zum Verlust der Kontrolle.

Verwenden Sie niemals beschädigte oder falsche Sägeblatt-Unterlegscheiben oder -schrauben. Die Sägeblatt-Unterlegscheiben und -schrauben wurden speziell für Ihre Säge konstruiert, für optimale Leistung und Betriebssicherheit.

Ursachen und Vermeidung eines Rückschlags:

– ein Rückschlag ist die plötzliche Reaktion infolge eines hakenden, klemmenden oder falsch ausgerichteten Sägeblattes, die dazu führt, dass eine unkontrollierte Säge abhebt und sich aus dem Werkstück heraus in Richtung der Bedienperson bewegt;

– wenn sich das Sägeblatt in dem sich schließenden Sägespalt verhakt oder verklemt, blockiert es, und die Motorkraft schlägt das Gerät in Richtung der Bedienperson zurück;

– wird das Sägeblatt im Sägeschnitt verdreht oder falsch ausgerichtet, können sich die Zähne der hinteren Sägeblattkante in der Oberfläche des Werkstücks verhaken, wodurch sich das Sägeblatt aus dem Sägespalt herausbewegt und die Säge in Richtung der Bedienperson zurückspringt.

Ein Rückschlag ist die Folge eines falschen oder fehlerhaften Gebrauchs der Säge. Er kann durch geeignete

Vorsichtsmaßnahmen, wie nachfolgend beschrieben, verhindert werden.

Halten Sie die Säge mit beiden Händen fest und bringen Sie Ihre Arme in eine Stellung, in der Sie den Rückschlagkräften standhalten können. Halten Sie sich immer seitlich des Sägeblattes, nie das Sägeblatt in eine Linie mit Ihrem Körper bringen. Bei einem Rückschlag kann die Kreissäge rückwärts springen, jedoch kann die Bedienperson die Rückschlagkräfte beherrschen, wenn geeignete Maßnahmen getroffen wurden.

Falls das Sägeblatt klemmt oder das Sägen aus einem anderen Grund unterbrochen wird, lassen Sie den Ein-Aus-Schalter los und halten Sie die Säge im Werkstoff ruhig, bis das Sägeblatt vollständig stillsteht. Versuchen Sie niemals, die Säge aus dem Werkstück zu entfernen oder sie rückwärts zu ziehen, solange das Sägeblatt sich bewegt oder sich ein Rückschlag ereignen könnte. Finden Sie die Ursache für das Klemmen des Sägeblattes und beseitigen Sie diese durch geeignete Maßnahmen.

Wenn Sie eine Säge, die im Werkstück steckt, wieder starten wollen, zentrieren Sie das Sägeblatt im Sägespalt und überprüfen Sie, ob die Sägezähne nicht im Werkstück verhakt sind. Klemmt das Sägeblatt, kann es sich aus dem Werkstück heraus bewegen oder einen Rückschlag verursachen, wenn die Säge erneut gestartet wird.

Stützen Sie große Platten ab, um das Risiko eines Rückschlags durch ein klemmendes Sägeblatt zu vermindern. Große Platten können sich unter ihrem Eigengewicht durchbiegen. Platten müssen auf beiden Seiten, sowohl in Nähe des Sägespalts als auch am Rand, abgestützt werden.

Verwenden Sie keine stumpfen oder beschädigten Sägeblätter. Sägeblätter mit stumpfen oder falsch ausgerichteten Zähnen verursachen durch einen zu engen Sägespalt eine erhöhte Reibung, Klemmen des Sägeblattes und Rückschlag.

Ziehen Sie vor dem Sägen die Schnitttiefen- und Schnittwinkleinstellungen fest. Wenn sich während des Sägens die Einstellungen verändern, kann sich das Sägeblatt verklemmen und ein Rückschlag auftreten.

Seien Sie besonders vorsichtig, wenn Sie einen Schnitt in einen verborgenen Bereich, z. B. eine bestehende Wand, ausführen. Das eintauchende Sägeblatt kann beim Sägen in verborgene Objekte blockieren und einen Rückschlag verursachen.

Funktion der unteren Schutzhaube

Überprüfen Sie vor jeder Benutzung, ob die untere Schutzhaube einwandfrei schließt. Verwenden Sie die Säge nicht, wenn die untere Schutzhaube nicht frei beweglich ist und sich nicht sofort schließt. Klemmen oder binden Sie die untere Schutzhaube niemals in geöffneter Position fest. Sollte die Säge unbeabsichtigt zu Boden fallen, kann die untere Schutzhaube verborgen werden. Öffnen Sie die Schutzhaube mit dem Rückziehebel und stellen Sie sicher, dass sie sich frei bewegt und bei allen Schnittwinkeln und -tiefen weder Sägeblatt noch andere Teile berührt.

Überprüfen Sie die Funktion der Feder für die untere Schutzhaube. Lassen Sie das Gerät vor dem Gebrauch warten, wenn untere Schutzhaube und Feder nicht einwandfrei arbeiten. Beschädigte Teile, klebrige Ablagerungen oder Anhäufungen von Spänen lassen die untere Schutzhaube verzögert arbeiten.

Öffnen Sie die untere Schutzhaube von Hand nur bei besonderen Schnitten, wie "Tauch- und Winkelschnitten". Öffnen Sie die untere Schutzhaube mit dem Rückziehebel und lassen Sie diesen los, sobald das Sägeblatt in das Werkstück eingedrungen ist. Bei allen anderen Sägearbeiten muss die untere Schutzhaube automatisch arbeiten.

Legen Sie die Säge nicht auf der Werkbank oder dem Boden ab, ohne dass die untere Schutzhaube das Sägeblatt bedeckt. Ein ungeschütztes, nachlaufendes Sägeblatt bewegt die Säge entgegen der Schnittrichtung und sägt, was ihm im Weg ist. Beachten Sie dabei die Nachlaufzeit der Säge.

WEITERE SICHERHEITS- UND ARBEITSHINWEISE

Vor allen Arbeiten an der Maschine den Wechselakku herausnehmen

Verbrauchte Wechselakkus nicht ins Feuer oder in den Hausmüll werfen. Milwaukee bietet eine umweltgerechte Alt-Wechselakku-Entsorgung an; bitte fragen Sie Ihren Fachhändler.

Wechselakkus nicht zusammen mit Metallgegenständen aufbewahren (Kurzschlussgefahr).

Wechselakkus des Systems C 18 nur mit Ladegeräten des Systems C 18 laden. Keine Akkus aus anderen Systemen laden.

Wechselakkus und Ladegeräte nicht öffnen und nur in trockenen Räumen lagern. Vor Nässe schützen.

Beim Arbeiten entstehender Staub ist oft gesundheitsschädlich und sollte nicht in den Körper gelangen. Geeignete Staubschutzmaske tragen.

Sägeblätter, die nicht den Kenndaten in dieser Gebrauchsanweisung entsprechen, dürfen nicht verwendet werden.

Tragen Sie Gehörschutz. Die Einwirkung von Lärm kann Hörverlust bewirken.

Keine Schleifscheiben einsetzen.

Sollte die transparente Sägeblattabdeckung gerissen oder gebrochen sein, muss diese sofort von einer autorisierten Fachwerkstatt erneuert werden. Mit einer defekten oder fehlenden Sägeblattabdeckung darf die Maschine nicht betrieben werden.

BESTIMMUNGSGEMÄSSE VERWENDUNG

Die Metallsäge ist einsetzbar zum Sägen von geradlinigen Schnitten in verschiedenen Arten von Metall wie z.B. Metallprofile (UniStrut), Rohre, Trockenbauständer, Kabelkanäle, Aluminiumprofile, Bleche, u.a.

Dieses Gerät darf nur wie angegeben bestimmungsgemäß verwendet werden.

CE-KONFORMITÄTSERKLÄRUNG

Wir erklären in alleiniger Verantwortung, dass das unter „Technische Daten“ beschriebene Produkt mit allen relevanten Vorschriften der Richtlinie 2011/65/EU (RoHS), 2014/30/EU, 2006/42/EG und den folgenden harmonisierten normativen Dokumenten übereinstimmt:

EN 60745-1:2009 + A11:2010
EN 60745-2-5:2010
EN 55014-1:2006 + A1:2009 + A2:2011
EN 55014-2:1997 + A1:2001 + A2:2008
EN 50581:2012

Winnenden, 2016-03-29



Alexander Krug
Managing Director



Bevollmächtigt die technischen Unterlagen zusammenzustellen

Techtronic Industries GmbH
Max-Eyth-Straße 10
71364 Winnenden
Germany

AKKUS

Längere Zeit nicht benutzte Wechselakkus vor Gebrauch nachladen.

Eine Temperatur über 50°C vermindert die Leistung des Wechselakkus. Längere Erwärmung durch Sonne oder Heizung vermeiden.

Die Anschlusskontakte an Ladegerät und Wechselakku sauber halten.

Für eine optimale Lebensdauer müssen nach dem Gebrauch die Akkus voll geladen werden.

Für eine möglichst lange Lebensdauer sollten die Akkus nach dem Aufladen aus dem Ladegerät entfernt werden.

Bei Lagerung des Akkus länger als 30 Tage:
Akku bei ca. 27°C und trocken lagern.
Akku bei ca. 30%-50% des Ladezustandes lagern.
Akku alle 6 Monate erneut aufladen.

AKKUÜBERLASTSCHUTZ

Bei Überlastung des Akkus durch sehr hohen Stromverbrauch, z.B. extrem hohe Drehmomente, Verklemmen des Bohrers, plötzlichem Stopp oder Kurzschluss, brummt das Elektrowerkzeug 2 Sekunden lang und schaltet sich selbsttätig ab.

Zum Wiedereinschalten, den Schalterdrücker loslassen und dann wieder einschalten.

Unter extremen Belastungen kann sich der Akku stark erhitzen. In diesem Fall schaltet der Akku ab. Den Akku dann in das Ladegerät stecken um ihn wieder aufzuladen und zu aktivieren.

TRANSPORT VON LITHIUM-IONEN-AKKUS

Lithium-Ionen-Akkus fallen unter die gesetzlichen Bestimmungen zum Gefahrguttransport.

Der Transport dieser Akkus muss unter Einhaltung der lokalen, nationalen und internationalen Vorschriften und Bestimmungen erfolgen.

- Verbraucher dürfen diese Akkus ohne Weiteres auf der Straße transportieren.
- Der kommerzielle Transport von Lithium-Ionen-Akkus durch Speditionsunternehmen unterliegt den Bestimmungen des Gefahrguttransports. Die Versandvorbereitungen und der Transport dürfen ausschließlich von entsprechend geschulten Personen durchgeführt werden. Der gesamte Prozess muss fachmännisch begleitet werden.

Folgende Punkte sind beim Transport von Akkus zu beachten:

- Stellen Sie sicher, dass die Kontakte geschützt und isoliert sind, um Kurzschlüsse zu vermeiden.
- Achten Sie darauf, dass der Akkupack innerhalb der Verpackung nicht verrutschen kann.
- Beschädigte oder auslaufende Akkus dürfen nicht transportiert werden.

Wenden Sie sich für weitere Hinweise an Ihr Speditionsunternehmen.

ARBEITSHINWEISE

Bei Motorüberlastung schaltet die Maschine automatisch ab. Nach Abkühlung den Überlastknopf wieder eindrücken und Maschine wieder einschalten. Bei häufigem Abschalten durch den Überlastschutz Schneiddruck oder Schnitttiefe reduzieren.

WARTUNG

Stellen Sie sicher, dass das Gerät von der Stromversorgung getrennt ist, bevor Sie das Sägeblatt anbringen oder abnehmen.

Reinigen Sie Gerät und Schutzeinrichtung mit einem trockenen Tuch. Manche Reinigungsmittel beschädigen Kunststoff oder andere isolierte Teile. Das Gerät sauber und

trocken sowie frei von ausgetretenem Öl und Fett halten. Überprüfen Sie die Funktion der Schutzhauben. Regelmäßige Wartung und Reinigung sorgen für eine lange Lebensdauer und sichere Handhabung.

Reinigen Sie das Werkzeug mit sauberen Lappen.

Nur Milwaukee Zubehör und Milwaukee Ersatzteile verwenden. Bauteile, deren Austausch nicht beschrieben wurde, bei einer Milwaukee Kundendienststelle auswechseln lassen (Broschüre Garantie/Kundendienstadressen beachten).

Bei Bedarf kann eine Explosionszeichnung des Gerätes unter Angabe der Maschinen Type und der sechsstelligen Nummer auf dem Leistungsschild bei Ihrer Kundendienststelle oder direkt bei Techtronic Industries GmbH, Max-Eyth-Straße 10, 71364 Winnenden, Germany angefordert werden.

SYMBOLE



ACHTUNG! WARNUNG! GEFAHR!



Vor allen Arbeiten an der Maschine den Wechselakku herausnehmen



Bitte lesen Sie die Gebrauchsanweisung vor Inbetriebnahme sorgfältig durch.



Beim Arbeiten mit der Maschine stets Schutzbrille tragen.



Elektrogeräte dürfen nicht zusammen mit dem Hausmüll entsorgt werden. Elektrische und elektronische Geräte sind getrennt zu sammeln und zur umweltgerechten Entsorgung bei einem Verwertungsbetrieb abzugeben. Erkundigen Sie sich bei den örtlichen Behörden oder bei Ihrem Fachhändler nach Recyclinghöfen und Sammelstellen.



CE-Zeichen



Nationales Konformitätszeichen Ukraine



EurAsian Konformitätszeichen.

CARACTÉRISTIQUES TECHNIQUES	SCIE À MÉTAUX	HD 18 MS
Numéro de série	4312 58 02... ...000001-999999	
Vitesse de rotation à vide	3600 min ⁻¹	
Ø de la lame de scie et de son alésage	135 x 20 mm	
Puissance de coupe maximale		
Tôle d'acier	1,6 mm	
Tubes	Ø 50 mm	
Profils	51 mm	
Tension accu interchangeable	18 V	
Poids suivant EPTA-Procédure 01/2003	2,6 kg	

Informations sur le bruit et les vibrations

Valeurs de mesure obtenues conformément à la EN 60 745.

La mesure réelle (A) du niveau de bruit de l'outil est

Niveau de pression acoustique (Incertitude K=3dB(A)) 75 dB (A)

Niveau d'intensité acoustique (Incertitude K=3dB(A)) 86 dB (A)

Toujours porter une protection acoustique!

Valeurs totales des vibrations (somme vectorielle de trois

sens) établies conformément à EN 60745.

Valeur d'émission vibratoire a_h < 2,5 m/s²

Incertitude K= 1,5 m/s²

AVERTISSEMENT

Le niveau vibratoire indiqué dans ces instructions a été mesuré selon un procédé de mesure normalisé dans la norme EN 60745 et peut être utilisé pour comparer des outils électriques entre eux. Il convient aussi à une estimation provisoire de la sollicitation par les vibrations.

Le niveau vibratoire indiqué représente les applications principales de l'outil électrique. Toutefois, si l'outil électrique est utilisé pour d'autres applications, avec des outils rapportés qui diffèrent ou une maintenance insuffisante, il se peut que le niveau vibratoire diverge. Cela peut augmenter nettement la sollicitation par les vibrations sur tout l'intervalle de temps du travail.

Pour une estimation précise de la sollicitation par les vibrations, on devrait également tenir compte des temps pendant lesquels l'appareil n'est pas en marche ou tourne sans être réellement en service. Cela peut réduire nettement la sollicitation par les vibrations sur tout l'intervalle de temps du travail.

Définissez des mesures de sécurité supplémentaires pour protéger l'utilisateur contre l'influence des vibrations, comme par exemple : la maintenance de l'outil électrique et des outils rapportés, le maintien au chaud des mains, l'organisation des déroulements de travail.

AVIS! Lire complètement les instructions et les indications de sécurité. Le non-respect des avertissements et instructions indiqués ci après peut entraîner un choc électrique, un incendie et/ou de graves blessures sur les personnes.

Bien garder tous les avertissements et instructions.

CONSIGNES DE SÉCURITÉ CONCERNANT LES SCIES CIRCULAIRES

Procédures de coupe

DANGER: Bien garder les mains à distance de la zone de sciage et de la lame de scie. Tenir la poignée supplémentaire ou le carter du moteur de l'autre main. Si vous tenez la scie circulaire des deux mains, celles-ci ne peuvent pas être blessées par la lame de scie.

Ne pas passer les mains sous la pièce à travailler. Sous la pièce à travailler, le capot de protection ne peut pas vous protéger de la lame de scie.

Adapter la profondeur de coupe à l'épaisseur de la pièce. Moins d'une dent complète devrait apparaître sous la pièce.

Ne jamais tenir la pièce à scier dans la main ou par-dessus la jambe. Fixer la pièce sur un support stable. Il est important de bien fixer la pièce, afin de réduire au minimum les dangers causés par le contact physique, quand la lame de scie se coince ou lorsqu'on perd le contrôle.

Maintenez l'appareil par les surfaces de poignée isolées lorsque vous exécutez des travaux pendant lesquels l'outil de coupe peut toucher des lignes électriques dissimulées. Le contact avec un câble sous tension met les parties métalliques de l'appareil sous tension et provoque une décharge électrique.

Toujours utiliser une butée ou un guidage droit de bords pour des coupes longitudinales. Ceci améliore la précision de la coupe et réduit le danger de voir la lame de scie se coincer.

Toujours utiliser des lames de scie de la bonne taille qui ont une forme appropriée à l'alésage de fixation (par ex. en étoile ou rond). Les lames de scie qui ne conviennent pas aux parties montées de la scie sont comme voilées et entraînent une perte de contrôle.

Ne jamais utiliser de rondelles ou de vis endommagées ou qui ne conviennent pas à la lame de scie. Les rondelles et vis pour la lame de scie ont spécialement été construites pour votre scie, pour une performance et une sécurité de fonctionnement optimales.

Causes de contrecoups et comment les éviter:

- un contrecoup est une réaction soudaine d'une lame de scie qui est restée accrochée, qui s'est coincée ou qui est mal orientée qui fait que la scie incontrôlée sort de la pièce à travailler et se dirige vers la personne travaillant avec l'appareil;

-si la lame de scie reste accrochée ou se coince dans la fente sciée qui se ferme, elle se bloque et la force du moteur entraîne l'appareil vers la personne travaillant avec l'appareil;

-si la lame de scie est tordue ou mal orientée dans le tracé de la coupe, les dents du bord arrière de la lame de scie risquent de se coincer dans la surface de la pièce, ce qui fait que la lame de scie saute brusquement de la fente et qu'elle est propulsée vers l'arrière où se trouve la personne travaillant avec l'appareil.

Un contrecoup est la suite d'une mauvaise utilisation ou une utilisation incorrecte de la scie. Il peut être évité en prenant les mesures de précaution comme elles sont décrites ci-dessous.

Bien tenir la scie des deux mains et mettre vos bras dans une position vous permettant de résister à des forces de contrecoup. Toujours positionner votre corps latéralement à la lame de scie, ne jamais positionner la lame de scie de façon qu'elle fasse une ligne avec votre corps. Lors d'un contrecoup, la scie circulaire risque d'être propulsée vers l'arrière, la personne travaillant avec l'appareil peut cependant contrôler les forces de contrecoup, quand des mesures appropriées ont été prises au préalable.

Si la lame de scie se coince ou que l'opération de sciage est interrompue pour une raison quelconque, lâcher l'interrupteur Marche/ Arrêt et tenir la scie dans la pièce sans bouger, jusqu'à ce que la lame de scie se soit complètement arrêtée. Ne jamais essayer de sortir la scie de la pièce ou de la tirer vers l'arrière tant que la lame de scie bouge ou qu'un contrecoup pourrait se produire. Déterminer la cause pour laquelle la scie s'est coincée et en remédier au problème.

Si une scie qui s'est bloquée dans une pièce, doit être remise en marche, centrer la lame de scie dans la fente et contrôler que les dents de la scie ne soient pas restées accrochées dans la pièce. Si la lame de scie est coincée, elle peut sortir de la pièce ou causer un contrecoup quand la scie est remise en marche.

Soutenir des grands panneaux afin d'éliminer le risque d'un contrecoup causé par une lame de scie coincée. Les grands panneaux risquent de s'arquer sous leur propre poids. Les panneaux doivent être soutenus des deux côtés par des supports, près de la fente de scie ainsi qu'aux bords des panneaux.

Ne pas utiliser de lames de scie émoussées ou endommagées. Les lames de scie dont les dents sont émoussées ou mal orientées entraînent une fente trop étroite et par conséquent une friction élevée, un coinçage de la lame de scie et un contrecoup.

Resserrer les réglages de la profondeur de coupe ainsi que de l'angle de coupe avant le sciage. La lame de scie risque de se coincer et un contrecoup de se produire si les réglages se modifient lors de l'opération de sciage.

Faire preuve d'une prudence particulière lorsqu'une "coupe en plongée" est effectuée dans un endroit caché, par ex. un mur. Lors du sciage, la lame de scie plongeante risque de scier des objets cachés et de causer un contrecoup.

Fonction du capot de protection inférieur

Contrôler avant chaque utilisation que le capot inférieur de protection ferme parfaitement. Ne pas utiliser la scie quand le capot inférieur de protection ne peut pas librement bouger et ne se ferme pas tout de suite. Ne jamais coincer ou attacher le capot inférieur de protection dans le but de la laisser dans sa position ouverte. Si, par mégarde, la scie tombe par terre, le capot inférieur de protection risque d'être déformé. Ouvrir le capot de protection à l'aide du levier et s'assurer qu'il peut encore bouger librement et ne touche ni la lame de scie ni d'autres éléments de l'appareil, et ceci pour tous les angles de coupe ainsi que pour toutes les profondeurs de coupe.

Contrôler le bon fonctionnement du ressort du capot inférieur de protection. Faire effectuer un entretien de l'appareil avant de l'utiliser, si le capot inférieur de protection et le ressort ne travaillent pas impeccablement. Les parties endommagées, des restes de colle ou des accumulations de copeaux font que le capot inférieur de protection travaille plus lentement.

N'ouvrir le capot inférieur de protection manuellement que pour des coupes spéciales telles que les "coupes en plongée et coupes angulaires". Ouvrir le capot inférieur de protection à l'aide du levier et le lâcher dès que la lame de scie soit entrée dans la pièce. Pour toutes les autres opérations de sciage, le capot inférieur de protection doit travailler automatiquement.

Ne pas placer la scie sur l'établi ou le sol sans que le capot inférieur de protection couvre la lame des scies. Une lame de scie non protégée et qui n'est pas encore à l'arrêt total fait bouger la scie dans le sens contraire à la direction de coupe et scie tout ce qui est sur son chemin. Tenir compte du temps de ralentissement de la scie.

AVIS COMPLÉMENTAIRES DE SÉCURITÉ ET DE TRAVAIL

Avant tous travaux sur la machine retirer l'accu interchangeable.

Ne pas jeter les accus interchangeables usés au feu ou avec les déchets ménagers. Milwaukee offre un système d'évacuation écologique des accus usés.

Ne pas conserver les accus interchangeables avec des objets métalliques (risque de court-circuit)

Ne charger les accus interchangeables du système C 18 qu'avec le chargeur d'accus du système C 18. Ne pas charger des accus d'autres systèmes.

Ne pas ouvrir les accus interchangeables et les chargeurs et ne les stocker que dans des locaux secs. Les protéger contre l'humidité.

Ne pas utiliser de lames de scie qui ne correspondent pas aux caractéristiques indiquées dans ces instructions d'utilisation.

Portez une protection acoustique. L'influence du bruit peut provoquer la surdité.

Ne pas utiliser de disques de meulage!

Si le couvercle transparent de lame de scie est arraché ou cassé, il doit être remplacé immédiatement par un atelier spécialisé et agréé. Il est interdit de faire fonctionner la machine si le couvercle de lame de scie est défectueux ou manquant.

UTILISATION CONFORME AUX PRESCRIPTIONS

La scie à métaux peut être utilisée pour des travaux de sciage de coupes rectilignes dans différentes sortes de métaux, comme par exemple des profilés métalliques (UniStrut), des tuyaux, des supports utilisés dans le second œuvre, des gaines de câble, des profilés d'aluminium, des tôles, etc.

Comme déjà indiqué, cette machine n'est conçue que pour être utilisée conformément aux prescriptions.

DECLARATION CE DE CONFORMITÉ

Nous déclarons sous notre seule responsabilité que le produit décrit sous « Caractéristiques techniques » concorde avec toutes les consignes pertinentes de la directive 2011/65 EU (RoHS), 2014/30/UE, 2006/42/CE et les documents normatifs harmonisés suivants :

EN 60745-1:2009 + A11:2010

EN 60745-2-5:2010

EN 55014-1:2006 + A1:2009 + A2:2011

EN 55014-2:1997 + A1:2001 + A2:2008

EN 50581:2012

Winnenden, 2016-03-29



Alexander Krug
Managing Director



Autorisé à compiler la documentation technique.

Technronic Industries GmbH
Max-Eyth-Straße 10
71364 Winnenden
Germany

ACCUS

Observer les remarques spéciales pour les accus Milwaukee C 18 figurant dans le mode d'emploi du chargeur.

Recharger les accus avant utilisation après une longue période de non utilisation.

Une température supérieure à 50°C amoindrit la capacité des accus. Éviter les expositions prolongées au soleil ou au chauffage.

Tenir propres les contacts des accus et des chargeurs.

Après l'usage, les accus doivent être chargés entièrement pour une durée de vie optimale.

Pour une plus longue durée de vie, enlever les batteries du chargeur de batterie quand celles-ci seront chargées.

En cas d'entreposage de la batterie pour plus de 30 jours: Entreposer la batterie à 27°C environ dans un endroit sec. Entreposer la batterie avec une charge d'environ 30% - 50%.

Recharger la batterie tous les 6 mois.

PROTECTION DE L'ACCU CONTRE LES SURCHARGES

En cas de surcharge de l'accu suite à une consommation de courant très élevée, par exemple des couples extrêmement hauts, un coincement du foret, un arrêt soudain ou un court-circuit, l'outil électrique se met à bourdonner pendant 2 secondes et s'éteint automatiquement.

Pour le remettre en marche, il faut relâcher le poussoir de commutateur, puis l'enclencher à nouveau.

Il se peut que l'accu s'échauffe fortement s'il est soumis à des sollicitations extrêmes. Dans ce cas, il se déconnecte.

Mettre alors l'accu en place dans le chargeur pour le recharger et l'activer.

TRANSPORT DE BATTERIES LITHIUM-ION

Les batteries lithium-ion sont soumises aux dispositions législatives concernant le transport de produits dangereux.

Le transport de ces batteries devra s'effectuer dans le respect des dispositions et des normes locales, nationales et internationales.

- Les utilisateurs peuvent transporter ces batteries sans restrictions.
- Le transport commercial de batteries lithium-ion est réglé par les dispositions concernant le transport de produits dangereux. La préparation au transport et le transport devront être effectués uniquement par du personnel formé de façon adéquate. Tout le procédé devra être géré d'une manière professionnelle.

Durant le transport de batteries il faut respecter les consignes suivantes :

- S'assurer que les contacts soient protégés et isolés en vue d'éviter des courts-circuits.
- S'assurer que le groupe de batteries ne puisse pas se déplacer à l'intérieur de son emballage.
- Des batteries endommagées ou des batteries perdant du liquide ne devront pas être transportées.

Pour tout renseignement complémentaire veuillez vous adresser à votre transporteur professionnel.

CONSEILS PRATIQUES

En cas de surcharge du moteur, la machine s'arrête automatiquement. Une fois la machine refroidie, appuyer sur le bouton de surcharge et remettre la machine en marche. En cas de déclenchement fréquent de la protection de surcharge, réduire la pression de coupe ou la profondeur de coupe.

ENTRETIEN

Assurez-vous de débrancher l'outil du secteur avant de monter ou de démonter la lame de scie.

Nettoyer l'appareil et le dispositif de protection avec un chiffon sec. Certains détergents endommagent les matériaux synthétiques ou d'autres parties isolantes. Maintenir l'appareil nettoyé, sec et libre d'huiles et graisses écoulées. Contrôler le fonctionnement des protecteurs. Un entretien et un nettoyage réguliers permettent une longue vie utile et un emploi sûr.

Utiliser uniquement les accessoires Milwaukee et les pièces détachées Milwaukee. Faire remplacer les composants dont le remplacement n'a pas été décrit, par un des centres de service après-vente Milwaukee (observer la brochure avec les adresses de garantie et de service après-vente).

En cas de besoin il est possible de demander un dessin éclaté du dispositif en indiquant le modèle de la machine et le numéro de six chiffres imprimé sur la plaquette de puissance et en s'adressant au centre d'assistance technique ou directement à Techtronic Industries GmbH, Max-Eyth-Straße 10, 71364 Winnenden, Germany.

SYMBOLES



ATTENTION! AVERTISSEMENT! DANGER!



Avant tous travaux sur la machine retirer l'accu interchangeable.



Veuillez lire avec soin le mode d'emploi avant la mise en service



Toujours porter des lunettes protectrices en travaillant avec la machine.



Les dispositifs électriques ne sont pas à éliminer dans les déchets ménagers. Les dispositifs électriques et électroniques sont à collecter séparément et à remettre à un centre de recyclage en vue de leur élimination dans le respect de l'environnement. S'adresser aux autorités locales ou au détaillant spécialisé en vue de connaître l'emplacement des centres de recyclage et des points de collecte.



Marque CE



Symbole national de conformité Ukraine



Marque de qualité EurAsian

DATI TECNICI

SEGA PER METALLO

HD 18 MS

Numero di serie	4312 58 02... ...000001-999999
Numero di giri a vuoto	3600 min ⁻¹
Diametro lama x foro lama	135 x 20 mm
potenza massima di taglio	
in foglio d'acciaio	1,6 mm
tubi	∅ 50 mm
profili	51 mm
Tensione batteria	18 V
Peso secondo la procedura EPTA 01/2003	2,6 kg

Informazioni sulla rumorosità/sulle vibrazioni

Valori misurati conformemente alla norma EN 60 745.

La misurazione A della pressione del livello sonoro di un utensile di solito deve essere

Livello di rumorosità (Incertezza della misura K=3dB(A)) 75 dB (A)

Potenza della rumorosità (Incertezza della misura K=3dB(A)) 86 dB (A)

Utilizzare le protezioni per l'udito!

Valori totali delle oscillazioni (somma di vettori in tre direzioni)

misurati conformemente alla norma EN 60745

Valore di emissione dell'oscillazione a_n < 2,5 m/s²

Incertezza della misura K= 1,5 m/s²

AVVERTENZA

Il livello di vibrazioni indicato nelle presenti istruzioni è stato misurato in conformità con un procedimento di misurazione codificato nella EN 60745 e può essere utilizzato per un confronto tra attrezzi elettrici. Inoltre si può anche utilizzare per una valutazione preliminare della sollecitazione da vibrazioni.

Il livello di vibrazioni indicato rappresenta le applicazioni principali dell'attrezzo elettrico. Se viceversa si utilizza l'attrezzo elettrico per altri scopi, con accessori differenti o con una manutenzione insufficiente, il livello di vibrazioni può risultare diverso. E questo può aumentare decisamente la sollecitazione da vibrazioni lungo l'intero periodo di lavorazione.

Ai fini di una valutazione precisa della sollecitazione da vibrazioni si dovrebbero tenere presente anche i periodi in cui l'apparecchio rimane spento oppure, anche se acceso, non viene effettivamente utilizzato. Ciò può ridurre notevolmente la sollecitazione da vibrazioni lungo l'intero periodo di lavorazione.

Stabilite misure di sicurezza supplementari per la tutela dell'operatore dall'effetto delle vibrazioni, come ad esempio: manutenzione dell'attrezzo elettrico e degli accessori, riscaldamento delle mani, organizzazione dei processi di lavoro.

AVVERTENZA! Leggere tutte le istruzioni ed indicazioni di sicurezza. In caso di mancato rispetto delle avvertenze di pericolo e delle istruzioni operative si potrà creare il pericolo di scosse elettriche, incendi e/o incidenti gravi.

Conservare tutte le avvertenze di pericolo e le istruzioni operative per ogni esigenza futura.

INDICAZIONI DI SICUREZZA PER SEGHE CIRCOLARI

Processo di taglio

PERICOLO: Mai avvicinare le mani alla zona operativa e neppure alla lama di taglio. Utilizzare la seconda mano per afferrare l'impugnatura supplementare oppure la carcassa del motore. Afferando la sega circolare con entrambe le mani, la lama di taglio non potrà costituire una fonte di pericolo per le stesse.

Mai afferrare con le mani la parte inferiore del pezzo in lavorazione. Nella zona al di sotto del pezzo in lavorazione la calotta di protezione non presenta alcuna protezione contro la lama di taglio.

Adattare la profondità di taglio allo spessore del pezzo in lavorazione. Nella parte inferiore del pezzo in lavorazione dovrebbe essere visibile meno della completa altezza del dente.

Mai tenere con le mani il pezzo in lavorazione che si intende tagliare e neppure appoggiarlo sulla gamba. Assicurare il pezzo in lavorazione su una base di sostegno che sia stabile. Per ridurre al minimo possibile il pericolo di un contatto con il corpo, la possibilità di un blocco della lama di taglio oppure la perdita del controllo, è importante fissare bene il pezzo in lavorazione.

Impugnare l'apparecchio sulle superfici di tenuta isolate mentre si eseguono lavori durante i quali l'utensile da taglio potrebbe entrare in contatto con cavi di corrente.

L'eventuale contatto dell'utensile da taglio con un cavo sotto tensione potrebbe mettere sotto tensione le parti metalliche dell'apparecchio e provocare una folgorazione.

In caso di taglio longitudinale utilizzare sempre una battuta oppure una guida angolare dritta. In questo modo è possibile migliorare la precisione del taglio riducendo il pericolo che la lama di taglio possa incepparsi.

Utilizzare sempre lame per segatrice che abbiano la misura corretta ed il foro di montaggio adatto (p.es. a stella oppure rotondo). In caso di lame per segatrice inadatte ai relativi pezzi di montaggio non hanno una rotazione perfettamente circolare e comportano il pericolo di una perdita del controllo.

Mai utilizzare rondelle oppure viti per lama di taglio che non dovessero essere in perfetto stato o che non dovessero essere adatte. Le rondelle e le viti per lama di taglio sono appositamente previste per la Vostra segatrice e sono state realizzate per raggiungere ottimali prestazioni e massima sicurezza di utilizzo.

Possibile causa ed accorgimenti per impedire un contraccolpo:

- Un contraccolpo è la reazione improvvisa provocata da una lama di taglio rimasta agganciata, che si blocca oppure che non è stata regolata correttamente comportando un movimento incontrollato della sega che sbalza dal pezzo in lavorazione e si sposta in direzione dell'operatore.

- Quando la lama di taglio rimane agganciata oppure si inceppa nella fessura di taglio che si restringe, si provoca un blocco e la potenza del motore fa balzare la macchina indietro in direzione dell'operatore;

- Torcendo la lama nella fessura di taglio oppure regolandola in maniera non appropriata vi è il pericolo che i denti del bordo posteriore della lama restano agganciati nella superficie del pezzo in lavorazione provocando una

reazione della lama di taglio che sbalza dalla fessura di taglio e la segatrice salta indietro in direzione dell'operatore.

Un contraccolpo è la conseguenza di un utilizzo non appropriato oppure non corretto della sega. Esso può essere evitato soltanto prendendo misure adatte di sicurezza come dalla descrizione che segue.

Tenere la sega ben ferma afferrandola con entrambe le mani e portare le braccia in una posizione che Vi permetta di resistere bene alla forza di contraccolpi. Tenere sempre una posizione laterale rispetto alla lama di taglio e mai mettere la lama di taglio in una linea con il Vostro corpo. In caso di un contraccolpo la sega circolare può balzare all'indietro; comunque, prendendo delle misure adatte l'operatore può essere in grado di controllare il contraccolpo.

Nel caso in cui la lama di taglio dovesse incepparsi oppure per un qualunque altro motivo l'operazione di taglio con la segatrice dovesse essere interrotta, rilasciare l'interruttore di avvio/arresto e tenere la segatrice in posizione nel materiale fino a quando la lama di taglio non si sarà fermata completamente. Non tentare mai di togliere la segatrice dal pezzo in lavorazione e neppure tirarla all'indietro fintanto che la lama di taglio si muove oppure vi dovesse essere ancora la possibilità di un contraccolpo. Individuare la possibile causa del blocco della lama di taglio ed eliminarla attraverso interventi adatti.

Volendo avviare nuovamente una segatrice che ancora si trova nel pezzo in lavorazione, centrare la lama nella fessura di taglio ed accertarsi che la dentatura della segatrice non sia rimasta agganciata nel pezzo in lavorazione. Una lama di taglio inceppata può balzare fuori dal pezzo in lavorazione oppure provocare un contraccolpo nel momento in cui si avvia nuovamente la segatrice.

Per eliminare il rischio di un contraccolpo dovuto al blocco di una lama di taglio, assicurare bene pannelli di dimensioni maggiori. Pannelli di dimensioni maggiori possono piegarsi sotto il peso proprio. In caso di pannelli è necessario munirli di supporti adatti su entrambi i lati, sia in vicinanza della fessura di taglio che a margine.

Non utilizzare mai lame per segatrice che non siano più affilate oppure il cui stato generale non dovesse essere più perfetto. Lame per segatrice non più affilate oppure deformate implicano un maggiore attrito nella fessura di taglio aumentando il pericolo di blocchi e di contraccolpi della lama di taglio.

Prima di eseguire l'operazione di taglio, determinare la profondità e l'angolazione del taglio. Se durante l'operazione di taglio si modificano le registrazioni è possibile che la lama di taglio si blocchi e che si abbia un contraccolpo.

Si prega di operare con particolare attenzione quando si è in procinto di eseguire un "taglio dal centro" in una zona nascosta come potrebbe per esempio essere una parete. La lama di taglio che inizia il taglio su oggetti nascosti può bloccarsi e provocare un contraccolpo.

Funzione della cappa protettiva inferiore

Prima di ogni intervento operativo accertarsi che la calotta di protezione chiuda perfettamente. Non utilizzare la segatrice in caso non fosse possibile muovere liberamente la calotta di protezione inferiore e non potesse essere chiusa immediatamente. Mai bloccare oppure legare la calotta di protezione inferiore in posizione aperta. Se la segatrice dovesse accidentalmente cadere a terra è possibile che la calotta di protezione inferiore subisca una deformazione. Operando con la leva di ritorno, aprire la calotta di protezione ed accertarsi che possa muoversi liberamente in ogni angolazione e profondità di taglio senza toccare né lama né nessun altro pezzo.

Controllare il funzionamento della molla per la calotta di protezione inferiore. Qualora la calotta di protezione e la molla non dovessero funzionare correttamente,

sottoporre la macchina ad un servizio di manutenzione prima di utilizzarla. Componenti danneggiati, depositi di sporicità appiccicosi oppure accumuli di trucioli comportano una riduzione della funzionalità della calotta inferiore di protezione.

Aprire manualmente la calotta inferiore di protezione solo in caso di tagli particolari come potrebbero essere "tagli dal centro e tagli ad angolo". Aprire la calotta inferiore di protezione mediante la leva di ritorno e rilasciare questa non appena la lama di taglio sarà penetrata nel pezzo in lavorazione. Nel caso di ogni altra operazione di taglio la calotta inferiore di protezione deve funzionare automaticamente.

Non poggiare la segatrice sul banco di lavoro oppure sul pavimento se la calotta inferiore di protezione non copre completamente la lama di taglio. Una lama di taglio non protetta ed ancora in fase di arresto sposta la segatrice in senso contrario a quello della direzione di taglio e taglia tutto ciò che incontra. Tenere quindi sempre in considerazione la fase di arresto della segatrice.

ULTERIORI AVVISI DI SICUREZZA E DI LAVORO

Prima di iniziare togliere la batteria dalla macchina.

Non gettare le batterie esaurite sul fuoco o nella spazzatura di casa. La Milwaukee offre infatti un servizio di recupero batterie usate.

Nel vano d'innesto per la batteria del caricatore non devono entrare parti metalliche. (pericolo di cortocircuito).

Le batterie del System C 18 sono ricaricabili esclusivamente con i caricatori del System C 18. Le batterie di altri sistemi non possono essere ricaricate.

Non aprire né la batteria né il caricatore e conservarli solo in luogo asciutto. Proteggerli dalla umidità.

Non utilizzare lame non corrispondenti alle specifiche riportate in queste istruzioni d'uso.

Indossare protezioni acustiche adeguate. L'esposizione prolungata al rumore senza protezione può causare danni all'udito.

Per favore non utilizzare dischi abrasivi

Se il coperchio lama trasparente dovesse essere lacerato o rotto, esso va immediatamente fatto sostituire da un'officina specializzata autorizzata. La macchina non deve essere messa in funzione con un coperchio lama difettoso o mancante.

UTILIZZO CONFORME

La sega per metallo è adatta per lunghi tagli su diversi tipi di metallo come per esempio profilati metallici (UniStrut), tubi, canaline, profilati in alluminio, lamiere ecc.

Utilizzare il prodotto solo per l'uso per cui è previsto.

DICHIARAZIONE DI CONFORMITÀ CE

Dichiariamo sotto la nostra esclusiva responsabilità che il prodotto descritto ai "Dati tecnici" corrisponde a tutte le disposizioni delle direttive 2011/65/EU (RoHS), 2014/30/EU, 2006/42/CE e successivi documenti normativi armonizzati:

EN 60745-1:2009 + A11:2010
EN 60745-2-5:2010
EN 55014-1:2006 + A1:2009 + A2:2011
EN 55014-2:1997 + A1:2001 + A2:2008
EN 50581:2012

Winnenden, 2016-03-29



Alexander Krug
Managing Director



Autorizzato alla preparazione della documentazione tecnica

Techtronic Industries GmbH
Max-Eyth-Straße 10
71364 Winnenden
Germany

BATTERIE

Osservare le avvertenze particolari degli accumulatori Milwaukee C 18 Akkus contenuti nel Manuale d'uso del caricatore.

Batterie non utilizzate per molto tempo devono essere ricaricate prima dell'uso.

A temperature superiori ai 50°C, la potenza della batteria si riduce.

Evitare di esporre l'accumulatore a surriscaldamento prolungato, dovuto ad esempio ai raggi del sole o ad un impianto di riscaldamento.

Per una durata di vita ottimale, dopo l'uso le batterie devono essere completamente ricaricate.

Per una più lunga durata, rimuovere le batterie dal caricabatterie quando saranno cariche.

In caso di immagazzinaggio della batteria per più di 30 giorni:

Immagazzinare la batteria a circa 27°C in ambiente asciutto. Immagazzinare la batteria con carica di circa il 30% - 50%. Ricaricare la batteria ogni 6 mesi.

DISPOSITIVO ANTISOVRACCARICO ACCUMULATORE

In caso di sovraccarico dell'accumulatore dovuto a consumo molto elevato di corrente, ad es. coppie di serraggio estremamente elevate, bloccaggio della punta, arresto improvviso o cortocircuito, l'elettrotensile romba per 2 secondi e poi si spegne automaticamente. Per riaccenderlo, rilasciare l'interruttore e poi riaccenderlo. Se sottoposto a carichi estremi, l'accumulatore può surriscaldarsi. In questo caso l'accumulatore si spegne. Inserire l'accumulatore nell'apparecchio carica-batterie per ricaricarlo e attivarlo.

TRASPORTO DI BATTERIE AGLI IONI DI LITIO

Le batterie agli ioni di litio sono soggette alle disposizioni di legge sul trasporto di merce pericolosa.

Il trasporto di queste batterie deve avvenire rispettando le disposizioni e norme locali, nazionali ed internazionali.

- Gli utilizzatori possono trasportare queste batterie su strada senza alcuna restrizione.
- Il trasporto commerciale di batterie agli ioni di litio è regolato dalle disposizioni sul trasporto di merce pericolosa. Le preparazioni al trasporto ed il trasporto stesso devono essere svolti esclusivamente da persone idoneamente istruite. Tutto il processo deve essere gestito in maniera professionale.

Durante il trasporto di batterie occorre tenere conto di quanto segue:

- Assicurarsi che i contatti siano protetti ed isolati per evitare corto circuiti.
- Accertarsi che il gruppo di batterie non possa spostarsi all'interno dell'imballaggio.
- Batterie danneggiate o batterie che perdono liquido non devono essere trasportate.

Per ulteriori informazioni si prega di contattare il proprio trasportatore.

ISTRUZIONI D'USO

L'utensile si spegne automaticamente in caso di sovraccarico del motore. Attendere che il motore si raffreddi, quindi premere il pulsante di sovraccarico e riaccendere l'utensile. Nel caso in cui la protezione da sovraccarico doversero entrare in funzione spesso, diminuire la pressione o la profondità di taglio.

MANUTENZIONE

Assicurarsi di aver scollegato l'utensile dall'alimentazione prima di collegarlo o prima di rimuovere la lama.

Pulire l'apparecchio ed il dispositivo di protezione con un panno asciutto. Alcuni detergenti danneggiano materiali sintetici o altre parti isolanti. Tenere l'apparecchio pulito ed asciutto, nonché libero da oli e grassi fuoriusciti. Controllare il funzionamento delle cuffie di protezione. Una regolare manutenzione e pulizia permettono una lunga vita utile ed un uso sicuro.

Usare solo accessori Milwaukee e pezzi di ricambio Milwaukee. Gruppi costruttivi la cui sostituzione non è stata descritta, devono essere fatti cambiare da un punto di servizio di assistenza tecnica al cliente Milwaukee (vedi depliant garanzia/indirizzi assistenza tecnica ai clienti).

In caso di necessità è possibile richiedere un disegno esploso del dispositivo indicando il modello della macchina ed il numero a sei cifre sulla targa di potenza rivolgendosi al centro di assistenza tecnica o direttamente a Techtronic Industries GmbH, Max-Eyth-Straße 10, 71364 Winnenden, Germany.

SIMBOLI



ATTENZIONE! AVVERTENZA! PERICOLO!



Prima di iniziare togliere la batteria dalla macchina.



Leggere attentamente le istruzioni per l'uso prima di mettere in funzione l'elettrotensile.



Durante l'uso dell'apparecchio utilizzare sempre gli occhiali di protezione.



I dispositivi elettrici non devono essere smaltiti con i rifiuti domestici. I dispositivi elettrici ed elettronici devono essere raccolti separatamente e devono essere conferiti ad un centro di riciclaggio per lo smaltimento rispettoso dell'ambiente. Chiedere alle autorità locali o al rivenditore specializzato dove si trovano i centri di riciclaggio e i punti di raccolta.



Marchio CE



Simbolo di conformità nazionale Ucraina



Marchio di conformità EurAsian

Número de producción	4312 58 02...
	...000001-999999
Velocidad en vacío	3600 min ⁻¹
Disco de sierra - ø x orificio ø	135 x 20 mm
rendimiento máximo de corte	
Chapa de acero	1,6 mm
tubos	ø 50 mm
perfiles	51 mm
Voltaje de batería	18 V
Peso de acuerdo con el procedimiento EPTA 01/2003	2,6 kg

Información sobre ruidos / vibraciones

Determinación de los valores de medición según norma EN 60 745.

La presión acústica se eleva normalmente	
Presión acústica (Tolerancia K=3dB(A))	75 dB (A)
Resonancia acústica (Tolerancia K=3dB(A))	86 dB (A)

Usar protectores auditivos!

Nivel total de vibraciones (suma vectorial de tres direcciones) determinado según EN 60745.

Valor de vibraciones generadas a _h	< 2,5 m/s ²
Tolerancia K=	1,5 m/s ²

ADVERTENCIA

El nivel vibratorio indicado en estas instrucciones ha sido medido conforme a un método de medición estandarizado en la norma EN 60745, y puede utilizarse para la comparación entre herramientas eléctricas. También es apropiado para una estimación provisional de la carga de vibración.

El nivel vibratorio indicado representa las aplicaciones principales de la herramienta eléctrica. Si, pese a ello, se utiliza la herramienta eléctrica para otras aplicaciones, con útiles adaptables diferentes o con un mantenimiento insuficiente, el nivel vibratorio puede diferir. Esto puede incrementar sensiblemente la carga de vibración durante todo el periodo de trabajo.

Para una estimación exacta de la carga de vibración deberían tenerse en cuenta también los tiempos durante los que el aparato está apagado o, pese a estar en funcionamiento, no está siendo realmente utilizado. Esto puede reducir sustancialmente la carga de vibración durante todo el periodo de trabajo.

Adopte medidas de seguridad adicionales para la protección del operador frente al efecto de las vibraciones, como por ejemplo: mantenimiento de la herramienta eléctrica y de los útiles adaptables, mantener las manos calientes, organización de los procesos de trabajo.

⚠ ATENCIÓN: Lea atentamente las indicaciones e instrucciones de seguridad. En caso de no atenderse a las advertencias de peligro e instrucciones siguientes, ello puede ocasionar una descarga eléctrica, un incendio y/o lesión grave.

Guardar todas las advertencias de peligro e instrucciones para futuras consultas.

⚠ INSTRUCCIONES DE SEGURIDAD PARA SIERRAS CIRCULARES

Proceso de serrado

⚠ PELIGRO: Mantener las manos alejadas del área de corte y de la hoja de sierra. Sujetar con la otra mano la empuñadura adicional o la carcasa motor. Si la sierra circular se sujeta con ambas manos, éstas no pueden lesionarse con la hoja de sierra.

No tocar por debajo de la pieza de trabajo. La caperuza protectora no le protege del contacto con la hoja de sierra por la parte inferior de la pieza de trabajo.

Adaptar la profundidad de corte al grosor de la pieza de trabajo. La hoja de sierra no deberá sobresalir más de un diente de la pieza de trabajo.

Jamás sujetar la pieza de trabajo con la mano o colocándola sobre sus piernas. Fijar la pieza de trabajo sobre una base de asiento firme. Es importante que la pieza de trabajo quede bien sujeta para reducir el riesgo a accidentarse, a que se atasque la hoja de sierra, o a perder del control sobre el aparato.

Sujete el aparato de las superficies aisladas de agarre al efectuar trabajos en los cuales la perforadora de percusión pueda entrar en contacto con conductores de corriente ocultos. El contacto con conductores portadores de tensión puede hacer que las partes metálicas del aparato le provoquen una descarga eléctrica.

Al realizar cortes longitudinales emplear siempre un tope, o una guía para ángulos rectos. Esto permite un corte más exacto y además reduce el riesgo a que se atasque la hoja de sierra.

Siempre utilizar las hojas de sierra con las dimensiones correctas y el orificio adecuado (p. ej. en forma de estrella o redondo). Las hojas de sierra que no correspondan a los elementos de montaje de ésta, giran excéntricas y pueden hacerle perder el control sobre la sierra.

Jamás emplear arandelas o tornillos de sujeción de la hoja de sierra dañados o incorrectos. Las arandelas y tornillos de sujeción de la hoja de sierra fueron especialmente diseñados para obtener unas prestaciones y seguridad de trabajo máximas.

Causas y prevención contra el rechazo de la sierra:

- El rechazo es una fuerza de reacción brusca que se provoca al engancharse, atasarse o guiarse incorrectamente la hoja de sierra, lo que hace que la sierra se salga de forma incontrolada de la pieza de trabajo y resulte impulsada hacia el usuario;

- Si la hoja de sierra se engancha o atasca al cerrarse la ranura de corte, la hoja de sierra se bloquea y el motor impulsa el aparato hacia el usuario;

- Si la hoja de sierra se gira lateralmente o se desalinea, los dientes de la parte posterior de la hoja de sierra pueden engancharse en la cara superior de la pieza de trabajo haciendo que la hoja de sierra se salga de la ranura de corte, y el aparato salga despedido hacia atrás en dirección al usuario.

El rechazo se debe a la utilización inadecuada y/o procedimientos o condiciones de trabajo incorrectos y puede evitarse tomando las precauciones que se detallan a continuación.

Sujetar firmemente la sierra con ambas manos manteniendo los brazos en una posición que le permita oponerse a la fuerza de reacción. Mantener el cuerpo a un lado de la hoja de sierra; jamás colocarse en línea con ella. Si la sierra retrocede bruscamente al ser rechazada, el usuario puede hacer frente a esta fuerza de reacción siempre que haya tomando unas precauciones adecuadas.

Si la hoja de sierra se atasca, o en caso de tener que interrumpir el trabajo por cualquier otro motivo, soltar el interruptor de conexión/desconexión manteniendo inmóvil sierra, y esperar a que se haya detenido completamente la hoja de sierra. Jamás intentar sacar la sierra de la pieza de trabajo o tirar de ella hacia atrás mientras esté funcionando la hoja de sierra, puesto que resultaría rechazada. Investigar y subsanar convenientemente la causa de atasco de la hoja de sierra.

Para continuar el trabajo con la sierra, centrar primero la hoja de sierra en la ranura y cerciorarse de que los dientes de sierra no toquen la pieza de trabajo. Si la hoja de sierra está atascada, la sierra puede llegar a salirse de la pieza de trabajo o ser rechazada al ponerse en marcha.

Soportar tableros grandes para evitar un rechazo al atasarse la hoja de sierra. Los tableros grandes pueden moverse por su propio peso. Los tableros deberán ser soportados a ambos lados, tanto cerca de la línea de corte como al borde.

No usar hojas de sierra melladas ni dañadas. Las hojas de sierra con dientes mellados o incorrectamente triscados producen una ranura de corte demasiado estrecha, lo que provoca una fricción excesiva y el atasco o rechazo de la hoja de sierra.

Apretar firmemente los dispositivos de ajuste de la profundidad y ángulo de corte antes de comenzar a serrar. Si la sierra llegase a desajustarse durante el trabajo puede que la hoja de sierra se atasque y resulte rechazada.

Prestar especial atención al realizar un "corte por inmersión" en tabiques u otros materiales de composición desconocida. Al ir penetrando la hoja de sierra ésta puede ser bloqueada por objetos ocultos en el material y hacer que la sierra sea rechazada.

Función de la cubierta de protección inferior

Antes de cada utilización cerciorarse de que la caperuza protectora inferior cierre perfectamente. No usar la sierra si la caperuza protectora inferior no gira libremente o no se cierra de forma instantánea. Jamás bloquear o atar la caperuza protectora inferior para mantenerla abierta. Si la sierra se le cae puede que se deforme la caperuza protectora inferior. Abrir la caperuza protectora inferior con la palanca y cerciorarse de que se mueva libremente sin que llegue a tocar la hoja de sierra ni otras partes en cualquiera de los ángulos y profundidades de corte.

Controlar el funcionamiento del muelle de recuperación de la caperuza protectora inferior. Antes de su uso hacer reparar el aparato si la caperuza protectora inferior o el resorte no funcionan correctamente. Las piezas deterioradas, el material adherido pegajoso, o las virutas acumuladas puede hacer que la caperuza protectora inferior se mueva con dificultad.

Solamente abrir manualmente la caperuza protectora inferior al realizar cortes especiales como "cortes por inmersión" o "cortes compuestos". Abrir la caperuza protectora inferior con la palanca y soltarla en el momento en que la hoja de sierra haya llegado a penetrar en la pieza de trabajo. En todos los demás trabajos la caperuza protectora deberá trabajar automáticamente.

No depositar la sierra sobre una base si la caperuza protectora inferior no cubre la hoja de sierra. Una hoja de sierra sin proteger, que no esté completamente detenida, hace que la sierra salga despedida hacia atrás, cortando

todo lo que encuentra a su paso. Considerar el tiempo de marcha por inercia hasta la detención de la sierra.

INSTRUCCIONES ADICIONALES DE SEGURIDAD Y LABORALES

Retire la batería antes de comenzar cualquier trabajo en la máquina.

No tire las baterías usadas a la basura ni al fuego. Los Distribuidores Milwaukee ofrecen un servicio de recogida de baterías antiguas para proteger el medio ambiente.

No almacene la batería con objetos metálicos (riesgo de cortocircuito).

Recargar solamente los acumuladores del Sistema C 18 en cargadores C 18 . No intentar recargar acumuladores de otros sistemas.

No abra nunca las baterías ni los cargadores y guárdelos sólo en lugares secos. Protéjalos de la humedad en todo momento.

No se pueden emplear hojas de sierra cuyos datos codificados no corresponden a estas instrucciones de manejo.

¡Utilice protección auditiva! La exposición a niveles de ruido excesivos puede causar pérdida de audición

Por favor no emplear muelas abrasivas !

En caso de que la cubierta transparente de la hoja de sierra estuviese rasgada o rota, deberá ser reemplazada inmediatamente por un taller especializado. Si faltara la cubierta de la hoja de sierra o estuviera defectuosa, la máquina no deberá ponerse en funcionamiento.

APLICACIÓN DE ACUERDO A LA FINALIDAD

La sierra de metal realiza de manera exacta cortes rectos y a inglete en diferentes materiales, como perfiles metálicos, tubos, corrugado, chapa metálica, etc.

No utilice este producto para ninguna otra aplicación que no sea su uso normal.

DECLARACION DE CONFORMIDAD CE

Declaramos bajo nuestra responsabilidad que el producto descrito bajo "Datos técnicos" está en conformidad con todas las normas relevantes de la directiva 2011/65/EU (RoHS), 2014/30/UE, 2006/42/CE y con las siguientes normas o documentos normalizados:

- EN 60745-1:2009 + A11:2010
- EN 60745-2-5:2010
- EN 55014-1:2006 + A1:2009 + A2:2011
- EN 55014-2:1997 + A1:2001 + A2:2008
- EN 50581:2012

Winnenden, 2016-03-29



Alexander Krug
Managing Director



Autorizado para la redacción de los documentos técnicos.

Techtronic Industries GmbH
Max-Eyth-Straße 10
71364 Winnenden
Germany

BATERÍA

Tenga en cuenta las indicaciones especiales sobre los acumuladores C 18 de Milwaukee que aparecen en las instrucciones de uso del aparato de carga.

Las baterías no utilizadas durante cierto tiempo deben ser recargadas antes de usar.

Las temperaturas superiores a 50°C reducen el rendimiento de la batería. Evite una exposición excesiva a fuentes de calor o al sol (riesgo de sobrecalentamiento).

Los puntos de contacto de los cargadores y las baterías se deben mantener limpios.

Para un tiempo de vida óptimo, deberán cargarse completamente las baterías después de su uso.

Para garantizar la máxima capacidad y vida útil, las baterías recargables se deberían retirar del cargador una vez finalizada la carga.

En caso de almacenar la batería recargable más de 30 días:

Almacenar la batería recargable en un lugar seco a una temperatura de aproximadamente 27°C.

Almacenar la batería recargable con un estado de carga del 30% y 50% aproximadamente.

Recargar la batería cada 6 meses.

PROTECCIÓN CONTRA SOBRECARGA DE LA BATERÍA

En caso de sobrecarga del acumulador por consumo muy elevado de corriente, por ej. debido a pares muy elevados, agarrotamiento del taladro, parada repentina o cortocircuito, la herramienta eléctrica zumbará durante 2 segundos y se desconectará automáticamente.

Para reconectarla, liberar primero el gatillo interruptor y después conectarla de nuevo.

Bajo cargas extremas, el acumulador se puede calentar mucho. En este caso desconectar el acumulador.

Meta entonces la batería en el cargador para recargarla otra vez y activarla.

TRANSPORTE DE BATERÍAS DE IONES DE LITIO

Las baterías de iones de litio caen bajo las disposiciones legales relativas al transporte de mercancías peligrosas.

El transporte de estas baterías recargables debe llevarse a cabo, observando las normas y disposiciones locales, nacionales e internacionales.

- Los consumidores pueden transportar estas baterías recargables sin el menor reparo en la calle.
- El transporte comercial de baterías recargables de iones de litio por empresas de transportes está sometido a las disposiciones del transporte de mercancías peligrosas. Las preparaciones para el envío y el transporte deben ser llevados a cabo exclusivamente por personas instruidas adecuadamente. El proceso completo debe ser supervisado por personal competente.

Los siguientes puntos se deben observar para el transporte de las baterías recargables:

- Se debe asegurar que los contactos estén protegidos y aislados para evitar que se produzcan cortocircuitos.
- Preste atención a que el conjunto de baterías recargables no se pueda desplazar dentro del envase.
- Las baterías recargables deterioradas o derramadas no se deben transportar.

Rogamos que para cualquier información adicional se dirija a su empresa de transportes.

SUGERENCIAS DE TRABAJO

La herramienta se desconecta automáticamente en caso de sobrecarga. Espere a que se enfríe la herramienta, apriete el botón de sobrecarga y enciéndala de nuevo. Si se para frecuentemente, reduzca la presión o la profundidad de corte

MANTENIMIENTO

Asegúrese de desconectar la herramienta de la fuente de alimentación antes de ajustar o retirar la hoja de sierra.

Limpie la herramienta y el dispositivo protector con un paño seco. Algunos detergentes dañan materiales sintéticos u otras partes aisladas. Mantenga la herramienta limpia, seca y libre de aceite y grasa emergente. Controle la función de las cubiertas protectoras. Un mantenimiento y una limpieza regular permitirán una larga vida y un manejo seguro de la herramienta.

Utilice solamente accesorios y repuestos Milwaukee. En caso de necesitar reemplazar componentes no descritos, contacte con cualquiera de nuestras estaciones de servicio Milwaukee (consultar lista de servicio técnicos)

Puede solicitar, en caso necesario, una vista despiezada del aparato bajo indicación del tipo de máquina y el número de seis dígitos en la placa indicadora de potencia en su Servicio de Postventa o directamente en Techtronic Industries GmbH, Max-Eyth-Straße 10, 71364 Winnenden, Germany.

SÍMBOLOS



¡ATENCIÓN! ¡ADVERTENCIA! ¡PELIGRO!



Retire la batería antes de comenzar cualquier trabajo en la máquina.



Lea las instrucciones detenidamente antes de conectar la herramienta



Para trabajar con la máquina, utilizar siempre gafas de protección.



Los aparatos eléctricos no se deben eliminar junto con la basura doméstica. Los aparatos eléctricos y electrónicos se deben recoger por separado y se deben entregar a una empresa de reciclaje para una eliminación respetuosa con el medio ambiente. Infórmese en las autoridades locales o en su tienda especializada sobre los centros de reciclaje y puntos de recogida.



Marca CE



Marca de conformidad nacional de Ucrania



certificado EAC de conformidad

CARACTERÍSTICAS TÉCNICAS

SERRA DE METAL

HD 18 MS

Número de produção.....	4312 58 02... ...000001-999999
Nº de rotações em vazio	3600 min ⁻¹
Ø de disco x Ø da furação.....	135 x 20 mm
potência de corte máx.	
Chapa de aço	1,6 mm
tubos.....	Ø 50 mm
perfis.....	51 mm
Tensão do acumulador	18 V
Peso nos termos do procedimento-EPTA 01/2003.....	2,6 kg

Informações sobre ruído/vibração

Valores de medida de acordo com EN 60 745.

Normalmente o nível de pressão de ruído da ferramenta é

Nível da pressão de ruído (Incertez K=3dB(A)) 75 dB (A)

Nível da potência de ruído (Incertez K=3dB(A))..... 86 dB (A)

Use protectores auriculares!

Valores totais de vibração (soma dos vectores das três

direções) determinadas conforme EN 60745.

Valor de emissão de vibração a_n < 2,5 m/s²

Incerteza K= 1,5 m/s²

ATENÇÃO

O nível vibratório indicado nestas instruções foi medido em conformidade com um procedimento de medição normalizado na EN 60745 e pode ser utilizado para comparar entre si ferramentas eléctricas. O mesmo é também adequado para avaliar provisoriamente o esforço vibratório.

O nível vibratório indicado representa as principais aplicações da ferramenta eléctrica. Se, no entanto, a ferramenta eléctrica for utilizada para outras aplicações, com outras ferramentas adaptadas ou uma manutenção insuficiente, o nível vibratório poderá divergir. Isto pode aumentar consideravelmente o esforço vibratório ao longo de todo o período do trabalho.

Para uma avaliação exacta do esforço vibratório devem também ser considerados os tempos durante os quais o aparelho está desligado ou está a funcionar, mas não está efectivamente a ser utilizado. Isto pode reduzir consideravelmente o esforço vibratório ao longo de todo o período do trabalho.

Defina medidas de segurança suplementares para proteger o operador do efeito das vibrações, como por exemplo: manutenção da ferramenta eléctrica e das ferramentas adaptadas, manter as mãos quentes, organização das sequências de trabalho.

⚠ ADVERTÊNCIA! Leia todas as instruções de segurança e todas as instruções. O desrespeito das advertências e instruções apresentadas abaixo pode causar choque eléctrico, incêndio e/ou graves lesões. **Guarde bem todas as advertências e instruções para futura referência.**

⚠ INSTRUÇÕES DE SEGURANÇA PARA SERRAS CIRCULARES

Processo de serragem

⚠ PERIGO: Mantenha as mãos afastadas da área de corte e da lâmina de corte. Mantenha a sua outra mão segurando o punho adicional ou a carcaça do aparelho. Se ambas as mãos segurarem a serra circular, estas não poderão ser lesadas pela lâmina de serra.

Não toque em baixo da peça a ser trabalhada. A capa de protecção não pode proteger contra a lâmina de serra sob a peça a ser trabalhada.

Adaptar a profundidade de corte à espessura da peça a ser trabalhada. Deveria estar visível por aproximadamente menos do que uma altura de dente abaixo da peça a ser trabalhada.

Jamais segure a peça a ser trabalhada na mão ou sobre a perna. Fixar a peça a ser trabalhada sobre uma base firme. É importante, fixar bem a peça a ser trabalhada, para minimizar o risco de contacto com o corpo, emperramento da lâmina de serra ou perda de controle.

Segure o aparelho nas superfícies de punho isoladas se estiver a executar trabalhos, nos quais a ferramenta de corte pode tocar em linhas eléctricas escondidas. O contacto com um cabo com tensão também põe as partes metálicas do aparelho sob tensão e leva a choque eléctrico.

Utilize sempre um esbarro ou um guia de cantos recto para efectuar cortes longitudinais. Isto melhora a exactidão de corte e reduz a probabilidade da lâmina de serra emperrar.

Utilize sempre lâminas de serrar com o tamanho correcto e com orifício de admissão de forma apropriada (p.ex. em forma de estrela ou redonda). Lâminas de serra que não servem para as peças de montagem da serra, não giram irregularmente e levam à perda do controle.

Jamais utilizar arruelas planas ou parafusos de lâminas de serra danificados ou não apropriados. As arruelas planas e os parafusos foram construídos especialmente para a sua serra, para uma potência optimizada e segurança operacional.

Causa e prevenção contra um contra-golpe:

- um contra-golpe é uma reacção repentina devida a uma lâmina de serra enganchada, emperrada ou incorrectamente alinhada, que faz com que uma serra descontrolada saia da peça a ser trabalhada e se movimente no sentido da pessoa a operar o aparelho;

- Se a lâmina de serra enganchou ou emperrou na fenda de corte, esta é bloqueada, e a força do motor golpea o aparelho no sentido do operador;

- se a lâmina de serra for torcida ou incorrectamente alinhada no corte, é possível que os dentes do canto posterior da lâmina de serra se engatem na superfície da peça a ser trabalhada, de modo que a lâmina de serra se movimente para fora da fenda de corte e pule de volta para a pessoa a operar o aparelho.

Um contra-golpe é o resultado de uma utilização errada ou incorrecta da serra. Ele pode ser evitado com apropriadas medidas de precaução, como descrito a seguir.

Segurar a serra firmemente com ambas as mãos e mantenha os braços numa posição, na qual é capaz de suportar as forças de uma contra-golpe. Posicione-se sempre na lateral da lâmina de serra, jamais colocar a lâmina de serra numa linha com o seu corpo. No caso de um contra-golpe, a serra circular pode pular para trás, no entanto o operador será capaz de dominar a força do contra-golpe se tiver tomado medidas de precaução.

Se a lâmina de serra enganchou ou se o processo de serra for interrompido por qualquer outro motivo, deverá soltar o interruptor de ligar-desligar e segurar a serra imóvel na peça a ser trabalhada, até a lâmina de serra parar completamente. Não tente jamais remover a lâmina de serra da peça a ser trabalhada ou puxá-la para trás, enquanto a lâmina ainda estiver em movimento ou enquanto puder ocorrer um contra-golpe. Encontrar a causa pela qual a lâmina de serra está enganchada e eliminar a causa através de medidas apropriadas.

Se desejar reacccionar uma serra que se encontra na peça a ser trabalhada, deverá centrar a lâmina de serra na fenda de serra e controlar se os dentes da serra não engate na peça a ser trabalhada. Se a lâmina de serra emperrar, poderá movimentar-se para fora da lâmina de serra ou causar um contra-golpe logo que a serra for reacccionada.

Placas grandes devem ser apoiadas, para reduzir o risco de um contra-golpe devido a uma lâmina de serra emperrada. Placas grandes podem curvar-se devido ao seu próprio peso. Placas devem ser apoiadas em ambos os lados, tanto nas proximidades da fenda de corte, assim como na borda.

Não utilizar lâminas de serra obtusas ou danificadas. Lâminas de serra obtusas ou desalinhasadas causam devido a uma fenda de corte demasiado estreita, uma fricção elevada, emperramento da lâmina de serra e contra-golpes.

Antes de serrar, deverá apertar os ajustes de profundidade de corte e de ângulo de corte. Se os ajustes se alterarem durante o processo de corte, é possível que a lâmina de serra seja emperrada e que ocorra um contra-golpe.

Tenha especialmente cuidado, ao efectuar um "Corte de imersão" numa área escondida, p.ex. uma parede existente. A lâmina de serra mergulhada pode bloquear-se em objetos escondidos ao serrar e causar um contra-golpe.

Funcionamento da cobertura de protecção inferior

Controlar antes de cada utilização, se a capa de protecção inferior fecha perfeitamente. Não utilize a serra se a capa de protecção inferior não se movimentar livremente e não se fechar imediatamente. Jamais prender ou amarrar a capa de protecção na posição aberta. Se a serra cair inesperadamente no chão, é possível que a capa de protecção inferior seja entortada. Abrir a capa de protecção com a alavanca para puxar para trás, e assegurar que se movimente livremente e não entre em contacto com a lâmina de serra nem com outras partes ao efectuar todos os tipos de cortes angulares e em todas as profundidades de corte.

Controlar a função da mola para a capa de protecção inferior. Permite que seja efectuada uma manutenção do aparelho antes de utilizá-lo, se a capa de protecção inferior e a mola não estiverem funcionando perfeitamente. Peças danificadas, resíduos aderentes ou acumulações de aparas fazem com que a capa de protecção inferior trabalhe com atraso.

Só abrir a capa de protecção inferior manualmente em certos tipos de corte, como "Cortes de imersão e cortes angulares". Abrir a capa de protecção inferior com uma alavanca para puxar para trás e soltar, logo que a lâmina de serra tenha entrado na peça a ser trabalhada. Em todos os outros trabalhos de serra é necessário que a capa de protecção inferior trabalhe automaticamente.

Não depositar a serra sobre a bancada de trabalho nem sobre o chão, sem que a capa de protecção inferior

encubra a lâmina de serra. Uma lâmina de serra não utilizada, e em movimento por inércia, movimenta a serra no sentido contrário do corte e serra tudo que estiver no seu caminho. Observe o tempo de movimento de inércia da serra.

INSTRUÇÕES DE SEGURANÇA E TRABALHO SUPLEMENTARES

Antes de efectuar qualquer intervenção na máquina retirar o bloco acumulador.

Não queimar acumuladores gastos nem deitá-los no lixo doméstico. A Milwaukee possui uma eliminação de acumuladores gastos que respeita o meio ambiente.

Não guardar acumuladores junto com objectos metálicos (perigo de curto-circuito).

Use apenas carregadores do Sistema C 18 para recarregar os acumuladores do Sistema C 18. Não utilize acumuladores de outros sistemas.

Carregadores só devem ser utilizados em recintos secos.

É inadmissível a utilização de discos de serra que não correspondam às características especificadas nestas instruções de serviço.

Sempre use a protecção dos ouvidos. A influência de ruídos pode causar surdez.

É favor não instalar discos de lixar!

No caso da cobertura da lâmina da serra estar partida deve ser substituída de imediato por uma oficina autorizada. Não é permitido operar a máquina sem uma cobertura da lâmina, ou com a mesma com defeito.

UTILIZAÇÃO AUTORIZADA

A serra de metal pode ser utilizada para efectuar cortes a direito em diversos tipos de metal, como p. ex. perfis metálicos (UniStrut), tubos, suportes de pré-fabricados, canais de cabos, perfis de alumínio, chapas, etc.

Não use este produto de outra maneira sem ser a normal para o qual foi concebido.

DECLARAÇÃO DE CONFORMIDADE CE

Declaramos sob responsabilidade exclusiva, que o produto descrito sob "Dados técnicos" corresponde com todas as disposições relevantes da diretiva 2011/65/EU (RoHS), 2014/30/UE, 2006/42/CE e dos seguintes documentos normativos harmonizados.

EN 60745-1:2009 + A1:2010

EN 60745-2-5:2010

EN 55014-1:2006 + A1:2009 + A2:2011

EN 55014-2:1997 + A1:2001 + A2:2008

EN 50581:2012

Winnenden, 2016-03-29



Alexander Krug
Managing Director

Autorizado a reunir a documentação técnica.

Techtronic Industries GmbH
Max-Eyth-Straße 10
71364 Winnenden
Germany



ACUMULADOR

Seguir as instruções especiais para a Bateria Milwaukee C 18, constantes no manual de instruções do carregador.

Acumuladores não utilizados durante algum tempo devem ser recarregados antes da sua utilização.

Temperaturas acima de 50°C reduzem a capacidade do bloco acumulador. Evitar exposição prolongada ao sol ou a caloríferos.

Manter limpos os contactos eléctricos no carregador e no bloco acumulador.

Para uma vida útil óptima dos acumuladores, terá que carregá-los plenamente após a sua utilização.

Para assegurar uma vida útil longa, o pacote de bateria deve ser removido da armazenagem depois do carregamento.

Se o pacote de bateria for armazenado por mais de 30 dias: Armazene o pacote de bateria com aprox. 27°C em um lugar seco.

Armazene o pacote de bateria com aprox. 30%-50% da carga completa.

Carregue o pacote de bateria novamente de 6 em 6 meses.

PROTECÇÃO DE SOBRECARGA DE BATERIA

No caso de sobrecarga da bateria devido a um consumo de corrente demasiado elevado, por exemplo um binário de rotação extremamente elevado, um bloqueio da broca, uma paragem repentina ou um curto-circuito, a ferramenta eléctrica vibra durante 2 segundos e desliga-se automaticamente.

Para a ligar novamente, desligar e voltar a ligar o interruptor. Sob condições extremas, a bateria pode aquecer demasiado. Neste caso a bateria desliga-se. Voltar então a colocar o acumulador no carregador para o carregar de novo e para assim o activar.

TRANSPORTE DE BATERIAS DE IÃO-LÍTIU

Baterias de ião-lítio estão sujeitas às disposições da legislação relativa às substâncias perigosas.

O transporte destas baterias deve ser efectuado de acordo com as disposições e os regulamentos locais, nacionais e internacionais.

- O utilizador pode efectuar o transporte rodoviário destas baterias sem restrições.
- O transporte comercial de baterias de ião-lítio por terceiros está sujeito aos regulamentos relativos às substâncias perigosas. A preparação do transporte e o transporte devem ser executados exclusivamente por pessoas instruídas e o processo deve ser acompanhado pelos especialistas correspondentes.

Observe o seguinte no transporte de baterias:

- Assegure-se de que os contactos terminais estejam protegidos e isolados para evitar um curto-circuito.
- Assegure-se de que o bloco da bateria esteja protegido contra movimentos na embalagem.
- Não transporte baterias danificadas ou que tenham fuga.

Para instruções mais detalhadas consulte a companhia de transportes

SUGESTÕES PARA OPERAÇÃO

A máquina desliga automaticamente em caso de sobrecarga do motor. Após o arrefecimento, prima o botão de sobrecarga e volte a ligar a máquina. Se a máquina desligar com frequência em virtude da protecção contra sobrecarga, reduza a pressão ou a profundidade de corte.

MANUTENÇÃO

Certifique-se que desliga a ferramenta da rede eléctrica antes de instalar ou remover a lâmina serra.

Limpe o aparelho e o dispositivo de protecção com um pano seco. Alguns detergentes danificam o plástico ou outras peças isoladas. Mantenha o aparelho limpo e seco e livre de óleo ou graxa que saiu. Verifique a função das tampas de protecção. Uma manutenção e limpeza em intervalos regulares cuida de uma longa vida útil e de um manejo seguro.

Utilizar apenas acessórios Milwaukee e peças sobresselentes Milwaukee. Os componentes cuja substituição não esteja descrita devem ser substituídos num

serviço de assistência técnica Milwaukee (consultar a brochura relativa à garantia/moradas dos serviços de assistência técnica).

Se for necessário, um desenho de explosão do aparelho pode ser solicitado do seu posto de assistência ao cliente ou directamente da Techtronic Industries GmbH, Max-Eyth-Straße 10, 71364 Winnenden, Alemanha, indicando o tipo da máquina e o número de seis posições na chapa indicadora da potência.

SYMBOLE



ATENÇÃO! PERIGO!



Antes de efectuar qualquer intervenção na máquina retirar o bloco acumulador.



Leia atentamente o manual de instruções antes de colocar a máquina em funcionamento.



Usar sempre óculos de protecção ao trabalhar com a máquina.



Aparelhos eléctricos não devem ser jogados no lixo doméstico. Aparelhos eléctricos e electrónicos devem ser colectados separadamente e entregues a uma empresa de reciclagem para a eliminação correcta. Solicite informações sobre empresas de reciclagem e postos de colecta de lixo das autoridades locais ou do seu vendedor autorizado.



Marca CE



Marca de conformidade nacional da Ucrânia



Marca de conformidade EurAsian.

TECHNISCHE GEGEVENS METAALZAAGMACHINE HD 18 MS

Productienummer	4312 58 02...
	...000001-999999
Onbelast toerental	3600 min ⁻¹
Zaagblad ø x boring ø	135 x 20 mm
max. vermogen	
in staalplaat	1,6 mm
buizen	ø 50 mm
profielen	51 mm
Spanning wisselakku	18 V
Gewicht volgens de EPTA-procedure 01/2003	2,6 kg

Geluids-/trillingsinformatie

Meetwaarden vastgesteld volgens EN 60 745.

Het kenmerkende A-gewaardeerde geluidsdrukniveau van de machine bedraagt

Geluidsdrukniveau (Onzekerheid K=3dB(A)) 75 dB (A)

Geluidsvermogeniveau (Onzekerheid K=3dB(A)) 86 dB (A)

Drag oorbeschermers!

Totale trillingswaarden (vectorsom van drie richtingen)

bepaald volgens EN 60745.

Trillingsemisiewaarde a_h < 2,5 m/s²

Onzekerheid K= 1,5 m/s²

WAARSCHUWING

De in deze aanwijzingen vermelde trillingsdruk is gemeten volgens een in EN 60745 genormeerde meetmethode en kan worden gebruikt voor de onderlinge vergelijking van apparaten. Hij is ook geschikt voor een voorlopige inschatting van de trillingsbelasting.

De aangegeven trillingsdruk geldt voor de meest gebruikelijke toepassingen van het elektrische apparaat. Wanneer het elektrische gereedschap echter voor andere doeleinden, met andere dan de voorgeschreven hulpstukken gebruikt of niet naar behoren onderhouden wordt, kan de trillingsdruk afwijken. Dit kan de waarde van de trillingsdruk over de hele werkperiode aanzienlijk verhogen.

Voor een nauwkeurige inschatting van de trillingsdruk moeten ook de tijden in aanmerking worden genomen dat het apparaat uitgeschakeld is of weliswaar loopt, maar niet werkelijk in gebruik is. Dit kan de waarde van de trillingsdruk over de hele werkperiode aanzienlijk verminderen.

Bepaal extra veiligheidsmaatregelen ter bescherming van de bediener tegen de inwerking van trillingen, bijvoorbeeld: onderhoud van elektrische gereedschappen en apparaten, warmhouden van de handen, organisatie van de werkprocessen.

WAARSCHUWING! Lees alle veiligheidsinstructies en aanwijzingen. Als de waarschuwingen en voorschriften niet worden opgevolgd, kan dit een elektrische schok, brand of ernstig letsel tot gevolg hebben. **Bewaar alle waarschuwingen en voorschriften voor toekomstig gebruik.**

VEILIGHEIDSLINSTRUCTIES VOOR CIRKELZAGEN**Zaagmethode**

GEVAAR: Houd uw handen uit de buurt van de zaagomgeving en het zaagblad. Houd met uw andere hand de extra handgreep of het motorhuis vast. Als u de cirkelzaag met beide handen vasthoudt, kan het zaagblad deze niet verwonden.

Grijp niet onder het werkstuk. De beschermkap kan u onder het werkstuk niet tegen het zaagblad beschermen.

Pas de zaagdiepte aan de dikte van het werkstuk aan. Er dient minder dan een volledige tandhoogte onder het werkstuk zichtbaar te zijn.

Houdt het te zagen werkstuk nooit in uw hand of op uw been vast. Zet het werkstuk op een stabiele ondergrond vast. Het is belangrijk om het werkstuk goed te bevestigen om het gevaar van contact met het lichaam, vastklemmen van het zaagblad of verlies van de controle te minimaliseren.

Houd het apparaat alléén aan de geïsoleerde grijpvlakken vast, wanneer u werkzaamheden uitvoert waarbij het snijgereedschap verborgen stroomleidingen zou kunnen raken. Het contact met een onder spanning staande leiding zet ook de metalen machinedelen onder spanning en leidt tot een elektrische schok.

Gebruik bij het schulpen altijd een aanslag of een rechte randgeleiding. Dit verbetert de zaagnauwkeurigheid en verkleint de mogelijkheid dat het zaagblad vastklemt.

Gebruik altijd zaagbladen met de juiste maat en vorm (stervormig of rond) van het opnameboortgat. Zaagbladen die niet bij de montage passen, lopen niet rond en leiden tot het verliezen van de controle.

Gebruik nooit beschadigde of verkeerde onderleggingen of schroeven voor het zaagblad. De onderleggingen en schroeven voor het zaagblad zijn speciaal geconstrueerd voor deze zaagmachine, voor optimaal vermogen en optimale bedrijfszekerheid.

Oorzaken en voorkoming van een terugslag:

- een terugslag is de plotselinge reactie als gevolg van een vasthakend, klemmend of verkeerd gericht zaagblad, die ertoe leidt dat een ongecontroleerde zaagmachine uit het werkstuk omhoogkomt en in de richting van de bedienende persoon beweegt;

- als het zaagblad in de zich sluitende zaagopening vasthaakt of vastklemt, wordt het geblokkeerd en slaat de motorkracht de machine in de richting van de bedienende persoon terug;

- als het zaagblad in de zaagopening wordt gedraaid of verkeerd wordt gericht, kunnen de tanden van de achterste zaagbladrand in het oppervlak van het werkstuk vasthaken, waardoor het zaagblad uit de zaagopening beweegt en achteruitspringt in de richting van de bedienende persoon.

Een terugslag is het gevolg van het verkeerd gebruik of onjuiste gebruiksomstandigheden van de zaagmachine. Terugslag kan worden voorkomen door geschikte voorzorgsmaatregelen, zoals hieronder beschreven.

Houd de zaagmachine met beide handen vast en houd uw armen zo dat u stand kunt houden ten opzichte van de terugslagkrachten. Blijf altijd opzij van het zaagblad en breng het zaagblad nooit in één lijn met uw lichaam. Bij een terugslag kan de cirkelzaag achteruit springen. De bedienende persoon kan de terugslagkrachten echter beheersen wanneer geschikte maatregelen zijn getroffen.

Als het zaagblad vastklemt of het zagen om een andere reden wordt onderbroken, laat u de aan/uit-schakelaar los en houd u de zaagmachine in het materiaal rustig tot het zaagblad volledig stilstaat. Probeer nooit om de zaagmachine uit het werkstuk te verwijderen of de machine achteruit te trekken zolang het zaagblad beweegt of een terugslag kan optreden. Spoor de oorzaak van het klemmen van het zaagblad op en verwijder deze door geschikte maatregelen.

Als u een zaagmachine die in het werkstuk steekt weer wilt starten, centreert u het zaagblad in de zaagopening en controleert u of de zaagtanden niet in het werkstuk zijn vastgehaakt. Als het zaagblad klemt, kan het uit het werkstuk bewegen of een terugslag veroorzaken als de zaagmachine opnieuw wordt gestart.

Ondersteun grote platen om het risico van een terugslag door een klemmend zaagblad te verminderen. Grote platen kunnen onder hun eigen gewicht doorbuigen. Platen moeten aan beide zijden worden ondersteund, in de buurt van de zaagopening en aan de rand.

Gebruik geen stompe of beschadigde zaagbladen. Zaagbladen met stompe of verkeerd gerichte tanden veroorzaken door een te nauwe zaagopening een verhoogde wrijving, vastklemmen van het zaagblad of terugslag.

Draai voor het zagen de instellingen voor de zaagdiepte en de zaaghoek vast. Als tijdens het zagen de instellingen veranderen, kan het zaagblad vastklemmen kan een terugslag optreden.

Wees bijzonder voorzichtig als u invallend zaagt in een verborgen gedeelte, bijvoorbeeld een bestaande wand. Het invallende zaagblad kan bij het zagen in verborgen objecten blokkeren en een terugslag veroorzaken.

Functie van de onderste beschermkap

Controleer voor elk gebruik of de onderste beschermkap correct sluit. Gebruik de zaagmachine niet als de onderste beschermkap niet vrij kan bewegen en niet onmiddellijk sluit. Klem of bind de onderste beschermkap nooit in de geopende stand vast. Als de zaagmachine op de vloer valt, kan de onderste beschermkap worden verbogen. Open de beschermkap met de terugtrekhandel en controleer dat deze vrij beweegt en bij alle zaaghoeken en zaagdiepten het zaagblad of andere delen niet aanraakt.

Controleer de functie van de veer voor de onderste beschermkap. Laat voor het gebruik van de machine onderhoud uitvoeren als de onderste beschermkap en de veer niet correct werken. Beschadigde delen, plakkende aanslag of ophoping van spanten laten de onderste beschermkap vertraagd werken.

Open de onderste beschermkap alleen met de hand bij bijzondere zaagwerkzaamheden, zoals invallend zagen en haaks zagen. Open de onderste beschermkap met de terugtrekhandel en laat deze los zodra het zaagblad in het werkstuk is binnengedrongen. Bij alle andere zaagwerkzaamheden moet de onderste beschermkap automatisch werken.

Leg de zaagmachine niet op de werkbank of op de vloer zonder dat de onderste beschermkap het zaagblad bedekt. Een onbeschermd uitlopend zaagblad beweegt de zaagmachine tegen de zaagrichting en zaagt wat er in de weg komt. Let op de uitlooptijd van de zaagmachine.

VERDERE VEILIGHEIDS- EN WERKINSTRUCTIES

Voor alle werkzaamheden aan de machine de akku verwijderen.

Verbruikte akku's niet in het vuur of bij het huisvuil werpen. Milwaukee biedt namelijk een milieuvriendelijke recyclingmethode voor uw oude akku's.

Wisselakku's niet bij metalen voorwerpen bewaren (kortsluitingsgevaar!).

Wisselakku's van het Akku-Systeem C 18 alléén met laadapparaten van het Akku-Systeem C 18 laden. Geen akku's van andere systemen laden.

Wisselakku's en laadapparaten niet openen en alleen in droge ruimtes opslaan. Tegen vocht beschermen.

Zaagbladen, waarvan de gegevens niet overeenkomen welke in de gebruiksaanwijzing staan, mogen niet gebruikt worden.

Drag oorbeschermers. Blootstelling aan geluid kan het gehoor beschadigen.

Geen schuurschijven plaatsen!

Wanneer de transparante zaagbladafdekking gescheurd of gebroken is, moet deze per omgaande worden vervangen door een geautoriseerd vakbedrijf. De machine mag niet worden gebruikt met een defecte of ontbrekende zaagbladafdekking.

VOORGESCHREVEN GEBRUIK VAN HET SYSTEEM

De metaalzaagmachine is geschikt voor het zagen van rechte zaagsneden in verschillende materiaalsoorten zoals o.a. metaalprofielen (UniStrut), buizen, kabelkanalen, aluminiumprofielen, blik etc.

Dit apparaat uitsluitend gebruiken voor normaal gebruik, zoals aangegeven.

EC - VERKLARING VAN OVEREENSTEMMING

Wij verklaren in uitsluitende verantwoording dat het onder 'Technische gegevens' beschreven product overeenstemt met alle relevante voorschriften van de richtlijn 2011/65/EU (RoHS), 2014/30/EU, 2006/42/EG en de volgende geharmoniseerde normatieve documenten:

EN 60745-1:2009 + A11:2010
EN 60745-2-5:2010
EN 55014-1:2006 + A1:2009 + A2:2011
EN 55014-2:1997 + A1:2001 + A2:2008
EN 50581:2012

Winnenden, 2016-03-29



Alexander Krug
Managing Director



Gemachtigd voor samenstelling van de technische documenten

Techtronic Industries GmbH
Max-Eyth-Straße 10
71364 Winnenden
Germany

AKKU

Let op de speciale aanwijzingen voor Milwaukee C 18 accu's in de gebruiksaanwijzing van het oplaadapparaat.

Langere tijd niet toegepaste wisselakku's vóór gebruik altijd naladen.

Een temperatuur boven de 50°C vermindert de capaciteit van de accu. Langdurige verwarming door zon of hitte vermijden.

De aansluitcontacten aan het laadapparaat en de akku schoonhouden.

Voor een optimale levensduur moeten de accu's na het gebruik volledig opgeladen worden.

Voor een zo lang mogelijke levensduur van de accu's dienen deze na het opladen uit het laadtoestel te worden verwijderd.

Bij een langere opslag van de accu dan 30 dagen: accu bij ca. 27 °C droog bewaren.
accu bij ca. 30 % - 50 % van de laadtoestand bewaren.
accu om de 6 maanden opnieuw opladen.

OVERBELASTINGSBEVEILIGING VAN DE ACCU

Bij overbelasting van de accu door een zeer hoog stroomverbruik, bijv. extreem hoge draaimomenten, klemmen van de boor, plotseling stoppen of kortsluiting, vibreert het elektrische gereedschap gedurende 2 seconden en schakelt dan automatisch uit.

Om het gereedschap weer in te schakelen, moet u de drukschakelaar loslaten en vervolgens weer inschakelen. Onder extreme belastingen wordt de accu te heet. In dit geval schakelt hij uit.

Steek de accu in het laadtoestel om hem weer op te laden en te activeren.

TRANSPORT VAN LITHIUM-IONEN-ACCUS

Lithium-ionen-accu's vallen onder de wettelijke bepalingen inzake het transport van gevaarlijke goederen.

Voor het transport van deze accu's moeten de lokale, nationale en internationale voorschriften en bepalingen in acht worden genomen.

- Verbruikers mogen deze accu's zonder meer over de weg transporteren.
- Het commerciële transport van lithium-ionen-accu's door expeditiebedrijven is onderhevig aan de bepalingen inzake het transport van gevaarlijke goederen. De verzendingsvoorbereidingen en het transport mogen uitsluitend worden uitgevoerd door dienovereenkomstig opgeleide personen. Het complete proces moet vakkundig worden begeleid.

Onderstaande punten moeten bij het transport van accu's in acht worden genomen:

- Waarborg ter vermindering van kortsluitingen dat de contacten beschermd en geïsoleerd zijn.
- Let op dat het accupack in de verpakking niet kan verschuiven.
- Beschadigde of lekkende accu's mogen niet worden getransporteerd.

Neem voor meer informatie contact op met uw expeditiebedrijf.

WERKRICHTLIJNEN

Bij overbelasting van de motor schakelt de machine zich automatisch uit. Druk na afkoeling de overbelastingsknop weer in en herstart de machine. Indien de overbelastingsbeveiliging de machine frequent uitschakelt, reduCEr dan de freesdruk of freesdiepte.

ONDERHOUD

Zorg ervoor dat het werktuig van de stroomvoorziening wordt ontkoppeld voor u het zaagblad vastmaakt of verwijderd.

Reinig het apparaat en de veiligheidsinrichting met een droge doek. Bepaalde reinigingsmiddelen tasten de kunststof of andere geïsoleerde onderdelen aan. Houd het apparaat schoon en droog en vrij van lekkende olie en vet. Controleer de werking van de veiligheidskappen. Regelmatig uitgevoerde onderhouds- en reinigingswerkzaamheden waarborgen een lange levensduur en een veilig gebruik.

Gebruik uitsluitend Milwaukee toebehoren en onderdelen. Indien componenten die moeten worden vervangen niet zijn

beschreven, neem dan contact op met een officieel Milwaukee servicecentrum (zie onze lijst met servicecentra).

Zo nodig kan een explosietekening van het apparaat worden aangevraagd bij uw klantenservice of direct bij Techtronic Industries GmbH, Max-Eyth-Straße 10, 71364 Winnenden, Duitsland onder vermelding van het machinetype en het zescijferige nummer op het typeplaatje.

SYMBOLLEN



OPGELET! WAARSCHUWING! GEVAAR!



Voor alle werkzaamheden aan de machine de accu verwijderen.



Graag instructies zorgvuldig doorlezen vóórdat u de machine in gebruik neemt.



Bij het werken met de machine altijd een veiligheidsbril dragen.



Elektrische apparaten mogen niet via het huisafval worden afgevoerd. Elektrische en elektronische apparaten moeten gescheiden worden verzameld en voor een milieuvriendelijke afvoer worden afgegeven bij een recyclingbedrijf. Informeer bij uw gemeente of bij uw vakhandelaar naar recyclingbedrijven en inzamelpunten.



CE-keurmerk



Nationaal symbool van overeenstemming Oekraïne



EurAsian-symbool van overeenstemming.

TEKNISCHE DATA

METALSAVEN

HD 18 MS

Produktionsnummer	4312 58 02... ...000001-999999
Omdreijingstal, ubelastet.....	3600 min ⁻¹
Savklinge- ϕ x hul- ϕ	135 x 20 mm
Maks. skæreydelse	
Alu profiler	1,6 mm
Rør.....	ϕ 50 mm
Profiler	51 mm
Udskiftningsbatteriets spænding	18 V
Vægt svarer til EPTA-procedure 01/2003.....	2,6 kg

Støj/Vibrationsinformation

Måleværdier beregnes iht. EN 60 745.

Værktøjets A-vægtede lydtrykniveau er typisk

Lydtrykniveau (Usikkerhed K=3dB(A))

Lydefekt niveau (Usikkerhed K=3dB(A))

Brug høreværn!

Samlede vibrationsværdier (værdisum for tre retninger) beregnet iht. EN 60745.

Vibrationseksponering a_{hv}

Usikkerhed K=

ADVARSEL

Svingningsniveauet, som er angivet i disse anvisninger, er målt i henhold til standardiseret måleprocedure ifølge EN 60745 og kan anvendes til indbyrdes sammenligning mellem el-værktøjer. Svingningsniveauet er ligeledes egnet som foreløbigt skøn over svingningsbelastningen.

Det angivne svingningsniveau er baseret på el-værktøjets primære anvendelsesformål. Hvis el-værktøjet benyttes til andre formål, med andet indsatsværktøj eller ikke vedligeholdes tilstrækkeligt, kan svingningsniveauet afvige. Dette kan øge svingningsbelastningen over den samlede arbejdsperiode betydeligt.

For en nøjagtig vurdering af svingningsbelastningen skal der også tages højde for de tidsperioder, hvor apparatet er slukket, eller hvor apparatet kører, men uden at være i anvendelse. Dette kan reducere svingningsbelastningen over den samlede arbejdsperiode betydeligt.

Supplerende sikkerhedsforanstaltninger til beskyttelse af brugeren mod påvirkninger fra svingninger skal iværksættes, f.eks.: Vedligeholdelse af el-værktøj og indsatsværktøj, varmholdelse af hænder, organisering af arbejdsprocesser.

⚠ ADVARSEL! Læs alle sikkerhedsinformationer og instruktioner. I tilfælde af manglende overholdelse af advarselshenvisningerne og instrukserne er der risiko for elektrisk stød, brand og/eller alvorlige kvæstelser.
Opbevar alle advarselshenvisninger og instrukser til senere brug.

⚠ SIKKERHEDSINSTRUKTIONER FOR RUNDSAVE

Saveprocesser

⚠ FARE: Stik aldrig hånden ind i skæreområdet eller ind til savklingen. Tag fat om støttegrebet eller motorhuset med den anden hånd. Når man holder rundsaven med begge hænder, kan man ikke komme til at skære fingrene på klingen.

Stik aldrig hånden ind under arbejdsemnet.

Beskyttelseskærmene giver ingen beskyttelse mod klingen på emnets underside.

Tilpas skæredybden efter arbejdsemnets tykkelse. Der må maksimalt være en hel tandhøjde synlig under emnet.

Hold aldrig et arbejdsemne i hånden eller over et knæ, når der skal saves i det. Emnet skal fikseres på et stabilt underlag. Det er vigtigt at emnet er gjort godt fast, for at minimere risikoen for at komme til at save sig selv og for at klingen sætter sig fast eller kommer ud af kontrol.

Hold maskinen fast i de isolerede gribeplader, når du udfører arbejde, hvor der er risiko for, at skæreværktøjet kan ramme skjulte strømledninger. Ved kontakt med en strømførende ledning står metaldelene på maskinen også under spænding og giver et elektrisk stød.

Anvend altid et anslag eller et lige landstyr ved skæring på langs. Det vil forbedre skærepræcisionen og reducere muligheden for, at savklingen kan sætte sig fast.

Anvend altid en savklinge i den rigtige størrelse og med det passende spændehul (f.eks. stjerneformet eller

rund). Savklinger, der ikke passer til monteringsdele på saven, vil køre ujævnt og kan nemt få maskinen til at gå ud af kontrol.

Anvend aldrig beskadigede eller forkerte underlagsskiver eller skruer til savklingen.

Underlagsskiver og skruer til savklinger bliver konstrueret specielt til den enkelte sav, så man opnår optimal ydelse og driftssikkerhed.

Arsager til og undgåelse af kast (kickback):

- kast betyder en pludselig reaktion på grund af at savklingen er klemt fast, sætter sig fast eller er monteret forkert, og som bevirker, at man mister kontrollen over saven, der bliver løftet opad og ud af arbejdsemnet og bliver slynget op mod brugeren;

- hvis klingen binder eller sætter sig fast i savsnittet, der lukker sig, bliver den blokeret, og motorkraften slynger maskinen tilbage mod brugeren;

- hvis savklingen drejes eller rettes forkert ind i savsnittet, kan tænderne i den bageste del af savklingen bide sig fast i arbejdsemnets overflade, og derefter vil klingen arbejde sig ud af snittet og saven blive slynget tilbage mod brugeren.

Et kast (kickback) opstår som følge af forkert brug eller misbrug af maskinen. Det kan undgås ved at tage nedenstående forholdsregler.

Hold fast på saven med begge hænder og hold armene i en stilling, hvor De kan opfange styrken fra et kast. Stå altid på den ene side af savklingen, savklingen må aldrig stå på linje med kroppen. Ved et kast kan rundsaven springe bagud, men brugeren kan opfange tilbageslagskraften, hvis man forholder sig rigtigt.

Hvis savklingen binder eller savningen skal afbrydes af en anden grund, så slip start-/stop-kontakten og lad saven blive siddende i emnet, indtil savklingen står helt

stille. Prøv aldrig på at tage saven ud af emnet eller at trække den tilbage, så længe savklingen bevæger sig eller der er risiko for kast. Find ud af, hvorfor savklingen har sat sig fast, og træf egnede forholdsregler, så det ikke kan ske igen.

Når man igen vil starte en sav, som har sat sig fast i emnet, skal savklingen centreres i savsnittet, hvorefter man kontrollerer, at savtænderne ikke har sat sig fast i emnet. Hvis savklingen binder, kan den arbejde sig ud af arbejdsemnet og forårsage et kast, når man starter saven igen.

Store plader skal afstøttes for at mindske risikoen for kast, på grund af at savklingen sætter sig fast. Store plader har en tendens til at bøje ned i midten på grund af deres egenvægt. Plader skal afstøttes på begge sider, både i nærheden af savsnittet og ved pladens kant.

Anvend aldrig en sløv eller beskadiget savklinge. En savklinge med sløve eller forke rettede tænder giver et smal savsnit, som kan give en for høj friktion, få klingens til at sætte sig fast og forårsage kast.

Skæredybden og skærevinklen skal indstilles og spændes fast, før man begynder at save. Hvis indstillingen ændres under savningen, kan savklingen sætte sig fast og der kan opstå kast.

Vær især forsigtig, hvis der skal udføres et "dyksnit" i et uoverskueligt område, f.eks. i en eksisterende væg. Savklingen, der skal dykke ned, kan blive blokeret i skjulte genstande og give kast.

Den nederste beskyttelseskærm funktion

Kontroller først, om den nederste beskyttelseskæppe lukker korrekt, hver gang maskinen skal bruges. Anvend aldrig saven, hvis den nederste beskyttelseskæppe ikke kan bevæges frit og ikke lukker sig øjeblikkeligt. Den nederste beskyttelseskæppe må aldrig klemmes eller bindes fast i åbnet stilling. Hvis saven falder ned ved et uheld, kan den nederste beskyttelseskæppe blive bøjet. Åbn beskyttelseskæppen med tilbagetrækshåndtaget og overbevis Dem om, at den kan bevæges frit og hverken berører savklingen eller andre dele ved alle skærevinkler og -dybder.

Kontroller af fjedrene til den nederste beskyttelseskæppe fungerer ordentlig. Få udført service på maskinen, før den bruges igen, hvis den nederste beskyttelseskæppe og fjederen ikke fungerer korrekt. Den nederste beskyttelseskæppe kan gå trægt, hvis der er beskadigede dele, klæbrige rester eller

Den nederste beskyttelseskæppe må kun åbnes manuelt i forbindelse med specielle snit, f.eks. "dyk – og vinkelsnit". Åbn den nederste beskyttelseskæppe med tilbagetrækshåndtaget og slip håndtaget igen, så snart savklingen er trængt ned i arbejdsemnet. Ved alle andre former for savning skal den nederste beskyttelseskæppe fungere automatisk.

Læg aldrig saven fra Dem på et arbejdsbord eller på jorden, uden at den nederste beskyttelseskæppe dækker savklingen. En ubeskyttet savklinge med efterløb vil få saven til at flytte sig baglæns og vil save i alting, der kommer i vejen for den. Derfor er det vigtigt at holde øje med savens efterløbstid.

YDERLIGERE SIKKERHEDS- OG ARBEJDSINFORMATIONER

Ved arbejde inden i maskinen, bør batteriet tages ud.

Opbrugte udskiftningsbatterier må ikke brændes eller kasseres sammen med alm. husholdningsaffald. Milwaukee har en miljørigtig bortskaffelse af gamle udskiftningsbatterier, henvend Dem til Deres forhandler.

Opbevar ikke udskiftningsbatterier sammen med metalgenstande af fare for kortslutning.

Brug kun System C 18 ladeapparater for opladning af System C 18 batterier.

Udskiftningsbatterier og opladere må ikke åbnes og skal opbevares i tørre rum. Beskyt dem mod fugtighed.

Savklinger, som ikke svarer til data i denne brugsanvisning, må ikke anvendes.

Bær høreværn. Støjpåvirkning kan bevirke tab af hørelse. Slibeskiver må ikke indsættes

Hvis den transparente savklingeafskærmning er revnet eller gået i stykker, skal denne straks fornyes af et autoriseret værksted. Maskinen må ikke være i funktion med en defekt eller manglende savklingeafskærmning.

TILTÆNKT FORMÅL

Metalsaven benyttes til at save lige snit i forskellige former for metal som f.eks. metalprofiler (UniStrut), rør, stativkonstruktioner til gipsplader, kabelkanaler, aluminiumsprofiler osv.

Produktet må ikke anvendes på anden måde og til andre formål end foreskrevet.

CE-KONFORMITETSERKLÆRING

Vi erklærer som eneansvarlig, at det under "Tekniske data" beskrevne produkt stemmer overens med alle relevante forskrifter, der følger af direktiv 2011/65/EU (RoHS), 2014/30/EU, 2006/42/EF samt af følgende harmoniserede normative dokumenter:

EN 60745-1:2009 + A11:2010
EN 60745-2-5:2010
EN 55014-1:2006 + A1:2009 + A2:2011
EN 55014-2:1997 + A1:2001 + A2:2008
EN 50581:2012

Winnenden, 2016-03-29

Alexander Krug
Managing Director



Autoriseret til at udarbejde de tekniske dokumenter.

Techtronic Industries GmbH
Max-Eyth-Straße 10
71364 Winnenden
Germany

BATTERI

Bemærk særlige anvisninger for Milwaukee C 18-batterier i brugsanvisningen til ladeadapteren.

Udskiftningsbatterier, der ikke har været brugt i længere tid, efterlades inden brug.

Ved temperaturer over 50°C formindskes batteriets effekt. Undgå direkte sollys og stærk varme.

Tilslutningskontaktterne på oplader og udskiftningsbatterier skal holdes rene.

For at opnå en optimal levetid skal de genopladelige batterier oplades fuldt efter brug.

For at sikre en så lang levetid som muligt skal batterierne tages ud af ladeaggregatet efter opladning.

Skal batterierne opbevares længere end 30 dage: Temperatur ca. 27°C i tørre omgivelser. Opbevares ved ca. 30%-50% af ladetilstanden. Batteri skal genoplades hver 6. måned.

OVERBELASTNINGSSIKRING FOR BATTERI

Overbelastes batteriet på grund af meget højt strømforbrug, f.eks. som følge af ekstremt høje drejningsmomenter, fastklemning af bor, pludseligt stop eller kortslutning, brummer el-værktøjet i 2 sekunder og slukker så af sig selv. For at tænde igen slipper du trykknappen og tænder el-værktøjet på ny. Under ekstreme belastninger kan batteriet blive meget

varmt. I så fald kobler batteriet fra. Sæt batteriet i ladeadapteren for at genoplade det og aktivere det.

TRANSPORT AF LITHIUM-BATTERIER

Lithium-batterier er omfattet af lovgivningen om transport af farligt gods.

Transporten af disse batterier skal ske under overholdelse af lokale, nationale og internationale regler og bestemmelser.

- Forbrugere må transportere disse batterier på veje uden yderligere krav.
- Den kommercielle transport af lithium-batterier ved speditjonsfirmaer er omfattet af reglerne for transport af farligt gods. Forberedelsen af forsendelse og transport må kun udføres af tilsvarende trænedte personer. Den samlede proces skal følges af fagfolk.

Følgende punkter skal overholdes ved transport af batterier:

- Sørg for at kontaktterne er beskyttet og isoleret for at forhindre kortslutninger.
- Sørg for at batteripakken ikke kan bevæge sig inden for emballagen.
- Beskadigede eller lækkende batterier må ikke transporteres.

Kontakt dit speditjonsfirma for at få yderligere oplysninger.

ARBEJDS- VEJLEDNING

I tilfælde af overbelastning af motoren frakobles maskinen automatisk. Efter afkøling skal overbelastningsknappen aftrykkes ind, og maskinen skal genindkobles. I tilfælde af en hyppig frakobling via overbelastningsbeskyttelsen skal skæretrykket eller snitdybden reduceres.

VEDLIGEHOLDELSE

Husk at afbryde værktøjet fra strømforsyningen inden montering eller udtagning af savklingen.

Rengør maskinen og beskyttelsesudstyret med en tør klud. Nogle rengøringsmidler beskadiger plast eller andre isolerede dele. Maskinen skal holdes ren og tør samt fri for olie og fedt, der er løbet ud. Tjek beskyttelseskærmens funktion. Regelmæssig vedligeholdelse og rengøring sørger for en lang holdbarhed og en sikker håndtering.

Brug kun Milwaukee-tilbehør og Milwaukee-reservedele. Komponenter, hvor udskiftningsproceduren ikke er beskrevet, skal skiftes ud hos et Milwaukee-servicested (se brochure garanti/kundeserviceadresser).

Hvis det er nødvendigt, kan der bestilles en sprængskitse af værktøjet. Angiv herved venligst maskintypen samt det sekscifrede nummer på mærkepladen og bestil tegningen hos din lokale kundeserviceafdeling eller direkte hos Techtronic Industries GmbH, Max-Eyth-Straße 10, 71364 Winnenden, Tyskland.

SYMBOLER



VIGTIGT! ADVARSEL! FARE!



Ved arbejde inden i maskinen, bør batteriet tages ud.



Læs brugsanvisningen nøje før ibrugtagning.



Når der arbejdes med maskinen, skal man have beskyttelsesbriller på.



Elektrisk udstyr må ikke bortskaffes sammen med det almindelige husholdningsaffald. Elektrisk og elektronisk udstyr skal indsamles særskilt og afleveres hos en genbrugsvirksomhed til en miljømæssig forsvarlig bortskaffelse. Spørg de lokale myndigheder eller din forhandler om genbrugsstationer og indsamlingssteder til sådant affald.



CE-mærke



Nationalt overensstemmelsesmærke Ukraine



EurAsian overensstemmelsesmærke.

TEKNISKE DATA	METALLSAGEN	HD 18 MS
Produksjonsnummer.....	4312 58 02...	...000001-999999
Tomgangsturtall.....	3600 min ⁻¹	
Sagblad- \emptyset x hull- \emptyset	135 x 20 mm	
Maks. skjæreytelse		
i stålplate.....	1,6 mm	
rør.....	\emptyset 50 mm	
profiler.....	51 mm	
Spenning vekselbatteri.....	18 V	
Vekt i henhold til EPTA-Proseduren 01/2003.....	2,6 kg	

Støy/Vibrasjonsinformasjon

Måleverdier fastslått i samsvar med EN 60 745.

Det A-bedømte lydnivået til maskinen er:

Lydtryknivå (Usikkerhet K=3dB(A))..... 75 dB (A)

Lydefektnivå (Usikkerhet K=3dB(A))..... 86 dB (A)

Bruk hørselsvern!

Totale svingningsverdier (vektorsum fra tre retninger) beregnet jf. EN 60745.

Svingningsemissjonsverdi a_h..... < 2,5 m/s²

Usikkerhet K=..... 1,5 m/s²

ADVARSEL

Svingningsnivået som er angitt i denne instruksjonen er målt i overensstemmelse med målemetoden normert i direktiv EN 60745 og kan brukes til å sammenligne elektromaskiner med hverandre. Den egner seg også for en foreløbig vurdering av svingningsbelastningen.

Det angitte svingningsnivået representerer de hovedsaklige bruk av elektroverktøyet. Men anvendes elektroverktøyet for andre bruk med avvikende utskiftbare verktøy eller vedlikeholdet er utilstrekkelig, kan svingningsnivået være avvikende.

Denne kan forhøye svingningsbelastning betydelig over hele arbeidsperioden. For en nøyaktig vurdering av svingningsbelastningen må også det tas hensyn til tiden apparatet er avslått eller står på, men ikke er i bruk. Dette kan redusere svingningsbelastningen betydelig over hele arbeidsperioden.

Innfør også ekstra sikkerhetstiltak for å beskytte brukeren mot utvirkningen av svingningene. Disse kan f.eks. være: vedlikehold av elektroverktøyet og det utskiftbare verktøyet, holde hendene varme, organisasjon av arbeidsforløpet.

⚠ OBS! Les alle sikkerhetsinstrukser og bruksanvisninger. Feil ved overholdelsen av advarslene og nedenstående anvisninger kan medføre elektriske støt, brann og/eller alvorlige skader. **Ta godt vare på alle advarslene og informasjonene.**

⚠ SIKKERHETS INSTRUKSER FOR SIKKELSAGER

Sageprosess

⚠ FARE: Pass på at hendene ikke kommer inn i sagområdet og opp i sagbladet. Hold ekstrahåndtaket eller motorhuset fast med den andre hånden. Når begge hendene holder sirkelsagen, kan sagbladet ikke skade hendene.

Ikke grip under arbeidsstykket. Verneedekelet kan ikke beskytte deg mot sagbladet og arbeidsstykket.

Tilpass skjæredybden til tykkelsen på arbeidsstykket. Det skal være mindre enn en full tannhøyde synlig under arbeidsstykket.

Hold aldri arbeidsstykket som skal sages fast med hånden eller over benet. Sikre arbeidsstykket på et stabilt underlag. Det er viktig å feste arbeidsstykket godt for å minimere faren ved kroppskontakt, fastklemming av sagbladet eller hvis du mister kontrollen.

Hold apparatet i de isolerte holdeflatene, når det arbeides på steder hvor elektroverktøyet kan treffe skjulte strømlødningsanlegg. Kontakt med en spenningsførende ledning setter også maskinens metalldele under spenning og fører til elektriske støt.

Ved langsskjæring må du alltid bruke et anlegg eller en rett kantføring. Dette forbedrer skjærenøyaktigheten og reduserer muligheten til at sagbladet klemmer.

Bruk alltid sagblad med rett størrelse og med passende festehull (f.eks. stjerne-formet eller rund). Sagblad som ikke passer sammen med sagens montasjedeler, går rundt og fører til tap av kontrollen.

Bruk aldri skadede eller gale sagblad-underlagsskiver eller -skruer. Sagblad-underlagsskivene og -skruene ble spesielt konstruert for denne sagen, slik at det oppnås en optimal ytelse og driftssikkerhet.

Årsaker til tilbakeslag og hvordan tilbakeslag kan unngås.

- Et tilbakeslag er en plutselig reaksjon fra et sagblad som har hengt seg opp, klemt seg fast eller er galt innrettet, og som fører til at en ukontrollert sag løftes opp og beveger seg ut av arbeidsstykket og i retning av brukeren.

- Hvis et sagblad henger seg opp eller klemmer seg fast i en sagespalte som lukkes, blokkerer sagen og motorkraften slår sagen tilbake i retning av brukeren.

- Hvis et sagblad dreies galt eller rettes galt opp i sagsnittet, kan tennene til bakre sagbladkant kile seg fast i overflaten til arbeidsstykket, slik at sagbladet beveger seg ut av sagespalten og sagen springer tilbake i retning av brukeren.

Et tilbakeslag er resultat av en gal eller feilaktig bruk av sagen. Det kan unngås ved å følge egnede sikkerhetstiltak som beskrevet nedenstående.

Hold sagen godt fast og plasser armene dine i en stilling som kan ta imot tilbakeslagskrefter. Opphold deg alltid på siden av et sagblad, la aldri sagbladet være i en linje med kroppen din. Ved et tilbakeslag kan sirkelsagen rykke bakover, men brukeren kan beherske tilbakeslagskreftene, hvis det ble utført egnede tiltak.

Hvis et sagblad klemmer fast eller sagingen avbrytes av andre grunner må du slippe på-/av-bryteren og holde sagen rolig i materialet til sagbladet står helt stille. Forsøk aldri å fjerne sagen fra et arbeidsstykke eller trekke den bakover så lenge sagbladet beveger seg eller det kan oppstå et tilbakeslag. Finn årsaken til at sagbladet er klemt fast og fjern denne årsaken med egnede tiltak.

Hvis du vil starte en sag som står fast i arbeidsstykket igjen, sentrerer du sagbladet i sagespalten og kontrollerer om sagtennene ikke har kilt seg fast i arbeidsstykket. Hvis sagbladet klemmer seg fast, kan det bevege seg ut av arbeidsstykket eller forårsake et tilbakeslag når sagen starter igjen.

Støtt store plater for å redusere risikoen for tilbakeslag fra et fastklemt sagblad. Store plater kan bøyes av sin egen vekt. Platene må støttes på begge sider, både i nærheten av sagespalten og på kanten.

Bruk ikke butte eller skadede sagblad. I en for smal sagespalte forårsaker sagblad med butte eller galt opprettede tenner stor friksjon, fastklemming av sagbladet eller tilbakeslag.

Trekk fast skjæredybde- og skjærevinkelinnstillingene fast før sagingen. Hvis innstillingene forandrer seg i løpet av sagingen, kan sagbladet klemmes fast og det kan oppstå et tilbakeslag.

Vær spesielt forsiktig når du utfører en "innstikksaging" i et skjult område, f.eks. en eksisterende vegg. Det innstikkende sagbladet kan blokkere ved saging i skjulte objekter og forårsake et tilbakeslag.

Funksjonen til den nedre vernehetten

Før hver bruk må du kontrollere om det nedre verneedekelet stenger helt. Ikke bruk sagen hvis det nedre verneedekelet ikke kan beveges fritt og ikke stenger straks. Klem og bind nedre verneedekelet aldri fast i åpent posisjon. Hvis sagen skulle falle ned på bakken ved en feiltagelse, kan det nedre verneedekelet bøyes. Åpne verneedekelet med tilbaketrekkingsarmen og pass på at det kan beveges fritt og ikke berører verken sagblad eller andre deler i alle skjærevinkler og -dybder.

Kontroller fjærens funksjon for nedre verneedekelet. La maskinen gjennomgå service før bruk, hvis nedre verneedekelet og fjær ikke virker feilfritt. Skadede deler, klebrige avleiringer eller sponhauger medfører at nedre verneedekelet reagerer forsinket.

Åpne det nedre verneedekelet manuelt kun ved spesielle snitt, som "innstikk- og vinkelsnitt". Åpne det nedre verneedekelet med tilbaketrekkingsarmen og slipp den når sagbladet er trengt inn i arbeidsstykket. Ved alle andre typer saging må det nedre verneedekelet fungere automatisk.

Legg ikke sagen på arbeidsbenken eller gulvet uten at nedre verneedekelet dekker over sagbladet. Et ubeskyttet sagblad som fortsatt roterer beveger sagen i motsatt retning av skjæreretningen og sager alt som er i veien. Ta hensyn til tiden sagen fortsatt roterer etter at den er slått av.

YTTERLIGE SIKKERHETS- OG ARBEIDSIKKESTILTRUKSJONER

Ta ut vekselbatteriet før du arbeider på maskinen

Ikke kast brukte vekselbatterier i varmen eller husholdningsavfallet. Milwaukee tilbyr en miljøriktig deponering av gamle vekselbatterier; vennligst spør din fagforhandler.

Ikke oppbevar vekselbatterier sammen med metallgjenstander (kortslutningsfare).

Vekselbatterier av systemet C 18 skal kun lades med lader av systemet C 18. Ikke lad opp batterier fra andre systemer.

Ikke åpne vekselbatterier og ladere, de skal oppbevares i tørre rom. Beskyttes mot fuktighet.

Ikke bruk sagblad som ikke er i tråd med egenskapene i denne bruksanvisningen.

Bruk hørselsvern. Støy kan føre til tap av hørselen

Bruk ikke slipeskiver.

Hvis det gjennomslitte sagbladdekslet har sprekker eller brudd, må det straks skiftes ut av et autorisert verksted. Maskinen må ikke brukes med et defekt eller manglende sagbladdeksel.

FORMÅLSMESSIG BRUK

Metallsagen brukes til saging av rette kutt i ulike typer metall som f. eks. metallprofiler (UniStrut), rør, bolter, kabelkanaler, aluminiumsprofiler, blikkplater o. a.

Dette apparatet må kun brukes til de oppgitte formål.

CE-SAMSVARERKLÆRING

Vi erklærer i alene ansvar at produktet beskrevet i "Teknisk data" overensstemmer med alle relevante forskrifter til EU direktiv 2011/65/EU (RoHS), 2014/30/EU, 2006/42/EF og de følgende harmoniserte normative dokumentene.

EN 60745-1:2009 + A11:2010

EN 60745-2-5:2010

EN 55014-1:2006 + A1:2009 + A2:2011

EN 55014-2:1997 + A1:2001 + A2:2008

EN 50581:2012

Winnenden, 2016-03-29



Alexander Krug
Managing Director



Autorisert til å utarbeide den tekniske dokumentasjonen

Techtronic Industries GmbH

Max-Eyth-Straße 10

71364 Winnenden

Germany

BATTERIER

Ta hensyn til de spesielle instruksjoner for Milwaukee C 18 oppladbare batterier i laderens bruksanvisning.

Vekselbatterier som ikke er brukt over lengre tid skal etterlades før bruk.

En temperatur over 50°C reduserer vekselbatteriets kapasitet. Unngå oppvarming i sol eller ved varmeovner (fyring) i lengre tid.

Hold tilkoplingskontaktene på lader og vekselbatteri rene.

For en optimal levetid må batteriene etter bruk ladet helt opp.

For å sikre en lengst mulig brukstid av batteriene skal disse etter oppladning taes ut av laderen.

Ved lagring av batteriene lengre enn 30 dager:

Lagre batteriet tørt ved ca. 27°C.

Lagre batteriet ved en oppladningsstand på ca. 30%-50%.

Lade opp batteriet igjen etter 6 måneder.

OVERBELASTNINGSVERN FOR OPPLADBARE BATTERIER

Ved overbelastning av det oppladbare batteriet p.g.a. svært høy strømførbruk, for eksempel ved ekstremt høye dreiemoment, fastklemming av boret, plusselig stopp eller kortslutning, brummer elektroverktøyet 2 sekunder og slår seg så automatisk av.

For å slå det på igjen, må man slippe trykkbryteren og så slå på igjen.

Ved ekstreme belastninger kan det oppladbare batteriet bli sterkt opphetet. I slike tilfeller kobler batteriet seg ut.

Sett batteriet da i laderen for å få det oppladet og aktivert igjen.

TRANSPORT AV LITUM-ION-BATTERI

Litium-ion-batterier faller under de lovfestede forskriftene om transport av farlig gods.

Transporten av disse batteriene må rette seg etter lokale, nasjonale og internasjonale forskrifter og bestemmelser.

- Forbruker har lov å transportere disse batteriene på gaten uten reglementering.
- Den kommersielle transport av Litium-ion-batterier av spedisjonsfirma faller under bestemmelsene om transport av farlig gods. Forberedningene av forsendelsen og transport skal utelukkende gjennomføres av personer som har blitt skolert til dette. Hele prosessen skal følges opp av fagfolk.

Følgende punkter skal tas hensyn til ved transport:

- Kontroller at kontaktene er beskyttet og isolert for å unngå kortslutninger.
- Pass på at batteripakken i forpakningen ikke kan skli fram og tilbake.
- Skadede eller batterier som lekker er det ikke lov å transportere.

Ta kontakt med spedisjonsfirma for ytterlige henvisninger.

ARBEIDSHENVISNINGER

Ved overbelastning av motoren kobles maskinen ut automatisk. Etter avkjøling trykkes overbelastningsknappen inn igjen, og maskinen starter på nytt. Ved hyppig inn- og utkobling av overbelastningsvernet må skjæretrykk eller skjæredybde reduseres.

VEDLIKEHOLD

Vær sikker på at støpslet er trukket ut av strømkontakten før det demonteres eller monteres sagblad.

Rengjør apparatet og verneinnretningen med en tørr klut. Noen rensedmidler skader plastikken eller andre isolerte deler. Hold apparatet rent, tørt og fritt for oljen og fett som skilles ut. Kontroller funksjonen til vernehettene. Regelmessig vedlikehold og rengjøring sørger for lang levetid og sikker håndtering.

Bruk kun Milwaukee tilbehør og Milwaukee reservedeler. Komponenter der utskiftning ikke er beskrevet skal skiftes ut hos Milwaukee kundeservice (se brosjyre garanti/kundeserviceadresser).

Ved behov kan det fås en eksplosjonstegning av apparatet hos kundeservice eller direkte hos Techtronic Industries GmbH, Max-Eyth-Straße 10, 71364 Winnenden, Germany ved angivelse av maskinens type og det sekstallige nummeret på maskinens skilt.

SYMBOLER



OBS! ADVARSEL! FARE!



Ta ut vekselbatteriet før du arbeider på maskinen



Les nøye gjennom bruksanvisningen før maskinen tas i bruk.



Bruk alltid vernebrille når du arbeider med maskinen.



Elektriske apparat skal ikke kastes sammen med vanlig husholdningsavfall. Elektriske og elektroniske apparat skal samles separat og leveres til miljøvennlig deponering til en avfall bedrift. Informer deg hos myndighetene på stedet eller hos din fagforhandler hvor det finnes recycling bedrifter oppsamlingssteder.



CE-tegn



Nasjonalt Konformitetstegn Ukraina



EurAsian Konformitetstegn.

TEKNISKA DATA

METALLSÅG

HD 18 MS

Produktionsnummer	4312 58 02... ...000001-999999
Obelastat varvtal.....	3600 min ⁻¹
Sågklinga-ø x hål-ø	135 x 20 mm
Max skårefeffekt	
Plåt	1,6 mm
Rör.....	ø 50 mm
Profiler	51 mm
Batterispänning.....	18 V
Vikt enligt EPTA 01/2003	2,6 kg

Buller-vibrationsinformation

Måtvärdena har tagits fram baserade på EN 60 745.

A-värdet av maskinens ljudtrycksnivå är	
Ljudtrycksnivå (Onoggrannhet K=3dB(A)).....	75 dB (A)
Ljudeffektsnivå (Onoggrannhet K=3dB(A))	86 dB (A)

Använd hörselskydd!

Totala vibrationsvärden (vektorsumma ur tre riktningar) framtaget enligt EN 60745.

Vibrationsemissionsvärde a _n	< 2,5 m/s ²
Onoggrannhet K=.....	1,5 m/s ²

VARNING

Den i de här anvisningarna angivna vibrationsnivån har uppmätts enligt ett i EN 60745 normerat mätförfarande och kan användas vid jämförelse mellan olika elverktyg. Nivån är även lämplig att använda vid en preliminär bedömning av vibrationsbelastningen.

Den angivna vibrationsnivån representerar den huvudsakliga användningen av det aktuella elverktyget. Men om elverktyget ska användas i andra användningsområden, tillsammans med avvikande insatsverktyg eller efter otillräckligt underhåll, kan vibrationsnivån skilja sig. Det kan öka vibrationsbelastningen betydligt under hela arbetstiden.

För att få en exaktare bedömning av vibrationsbelastningen ska även den tid beaktas, under vilken elverktyget är avstängt eller är påslaget, utan att det verkligen används. Det kan reducera vibrationsbelastningen betydligt under hela arbetstiden.

Lägg som skydd för användaren fast extra säkerhetsåtgärder mot vibrationernas verkan, som till exempel: underhåll av elverktyg och insatsverktyg, varmhållning av händer och organisering av arbetsförlopp.

⚠ VARNING! Läs all säkerhetsinformation och alla anvisningar. Fel som uppstår till följd av att anvisningarna nedan inte följs kan orsaka elstöt, brand och/eller allvarliga kroppsskador.
Förvara alla varningar och anvisningar för framtida bruk.

⚠ SÄKERHETSANVISNINGAR FÖR CIRKELSÅGAR

Sågprocess

⚠ FARA: Håll händerna på betryggande avstånd från sågområdet och sågklingan. Håll andra handen på stödhandtaget eller motorhuset. Om båda händerna hålls på sågen kan de inte skadas av sågklingan.

För inte in handen under arbetsstycket. Klingskyddet kan under arbetsstycket inte skydda handen mot sågklingan.

Anpassa sågdjupet till arbetsstyckets tjocklek. Den synliga delen av en tand under arbetsstycket måste vara mindre än en hel tand.

Arbetsstycket som ska sågas får aldrig hållas i handen eller över benen. Säkra arbetsstycket på ett stabilt underlag. Det är viktigt att arbetsstycket hålls fast ordentligt för undvikande av kontakt med kroppen, inklämning av sågklinga eller förlorad kontroll över sågen.

Håll fast apparaten med hjälp av de isolerade greppytorna när du utför arbeten där arbetsverktyget skulle kunna träffa på dolda elledningar. Om sågen kommer i kontakt med en spänningsförande ledning sätts sågens metalldelar under spänning som sedan kan leda till elektriskt slag.

Vid längsriktad sågning ska alltid ett anslag eller en rak kantstyrning användas. Detta förbättrar snittnoggrannheten och minskar risken för att sågklingan kommer i kläm.

Använd alltid sågklingor med rätt storlek och lämpligt infästningshål (t.ex. i stjärnform eller rund). Sågklingor

som inte passar till sågens monteringskomponenter roterar ur och leder till att kontrollen förloras över sågen.

Använd aldrig skadade eller felaktiga underläggsbrickor eller skruvar för sågklingan. Underläggsbrickorna och skruvarna för sågklingan har konstruerats speciellt för denna såg för optimal effekt och driftsäkerhet.

Orsaker för och eliminering av bakslag:

- ett bakslag är en plötslig reaktion hos en sågklinga som hakat upp sig, klämts fast eller är fel inriktad och som leder till att sågen okontrollerat lyfts upp ur arbetsstycket och kastas mot användaren;

- om sågklingan hakar upp sig eller kläms fast i sågspåret som går ihop, kommer klingan att blockera varefter motorkraften kastar sågen i riktning mot användaren;

- om sågklingan snedvrids i sågspåret eller är fel inriktad, kan tänderna på sågklingans bakre kant haka upp sig i arbetsstyckets yta varvid sågklingan går ur sågspåret och hoppar bakåt mot användaren.

Bakslag uppstår till följd av missbruk eller felaktig hantering av sågen. Detta kan undvikas genom skyddsåtgärder som beskrivs nedan.

Håll stadigt i sågen med båda händerna och håll armarna i ett läge som möjliggör att hållastånd mot de bakslagskrafter som eventuellt uppstår. Stå alltid på sidan om sågklingan; håll aldrig sågklingan i linje med kroppen. Vid ett bakslag kan cirkelsågen hoppa bakåt men användaren kan behärska bakslagskraften om lämpliga åtgärder vidtagits.

Om sågklingan kommer i kläm eller sågning avbryts av annan orsak, släpp Till-Från strömställaren och håll kvar sågen i arbetsstycket tills sågklingan stannat fullständigt. Försök aldrig dra sågen ur arbetsstycket eller bakåt så länge sågklingan roterar eller risk finns för att bakslag uppstår. Lokalisera orsaken för inklämd sågklinga och avhjälpt felet.

Vill du återstarta en såg som sitter i arbetsstycket centrera sågklingan i sågspåret och kontrollera att sågklingans tänder inte hakat upp sig i arbetsstycket. År sågklingan inklämd kan den gå upp ur arbetsstycket eller orsaka bakslag vid återstart av sågen.

Stöd stora skivor för att reducera risken för ett bakslag till följd av inklämd sågklinga. Stora och tunga skivor kan böjas ut. Skivorna måste därför stödas på båda sidorna både i närheten av sågspåret och vid skivans kanter.

Använd inte oskarpa eller skadade sågklingor. Sågklingor med oskarpa eller fel inriktade tänder medför till följd av ett för smalt sågspår ökad friktion, inklämning av sågklingan och bakslag.

Före sågning påbörjas dra stadigt fast inställningsanordningarna för sågdjup och snittvinkel. Om inställningarna förändras under sågning kan sågklingan klämmas fast och orsaka bakslag.

Var speciellt försiktig vid "insågning" på ett dolt område, t.ex. i en färdig vägg. Den inträngande sågklingan kan blockera vid sågning i dolda objekt och förorsaka bakslag.

Funktion för den nedre skyddshuven

Kontrollera innan sågen används att det undre klingskyddet stänger felfritt. Sågen får inte tas i bruk om det undre klingskyddet inte är fritt rörligt och inte stängs omedelbart. Kläm eller bind inte fast det undre klingskyddet i öppet läge. Om sågen av misstag faller ner på golvet finns risk att det undre klingskyddet deformeras. Öppna klingskyddet med återdragningsspaken och kontrollera att det är fritt rörligt och att det vid alla snittvinklar och snittdjup varken berör sågklingan eller andra delar.

Kontrollera funktionen på fjädern till det undre klingskyddet. Låt sågen repareras innan den tas i bruk om undre klingskyddet eller fjädern inte fungerar felfritt. Skadade delar, klubbiga avlagringar eller anhopning av spån kan hindra det undre klingskyddets rörelse.

Öppna det undre klingskyddet för hand endast vid speciella snitt som t.ex. "Insågning och vinkelsnitt". Öppna det undre klingskyddet med återdragningsspaken och släpp den så fort sågklingan gått in i arbetsstycket. Vid all annan sågning måste det undre klingskyddet fungera automatiskt.

Se till att sågklingan skyddas av det undre klingskyddet när sågen läggs bort på arbetsbänk eller golv. En oskyddad och roterande sågklinga förflyttar sågen bakåt och kan säga allt som är i vägen. Beakta även sågens eftergång.

ÖVRIGA SÄKERHETS- OCH ANVÄNDNINGSPÅSÄTTNINGAR

Se till att sågklingan skyddas av det undre klingskyddet när sågen läggs bort på arbetsbänk eller golv. En oskyddad och roterande sågklinga förflyttar sågen bakåt och kan säga allt som är i vägen. Beakta även sågens eftergång.

Drag ur batteripaket innan arbete utföres på maskinen.

Kasta inte förbrukade batterier. Lämna dem till Milwaukee Tools för återvinning.

Förvara ej batteriet ihop med metallföremål, kortslutning kan uppstå.

System C 18 batterier laddas endast i System C 18 laddare. Ladda inte batterier från andra system.

Batterier lagras torrt och skyddas för fukt.

Sågklinga, vars värden inte överensstämmer med data i denna bruksanvisning, får ej användas.

Bär hörselskydd. Bullerbelastning kan orsaka hörselskador.

Slipskivor får inte användas!

Om det transparenta sågbladsskyddet är sprucket eller trasigt, så måste det genast bytas ut på en auktoriserad verkstad. Maskinen får inte användas med ett defekt sågbladsskydd eller utan ett sådant.

ANVÄND MASKINEN ENLIGT ANVISNINGARNA

Metallsåg för rak kapning och geringssågning i olika typer av metall som profiler, rör, metallstång, kanaler, aluminiumprofiler, plåtar etc.

Maskinen får endast användas för angiven tillämpning.

CE-FÖRSÄKRAN

Vi intygar och ansvarar för att den produkt som beskrivs under "Tekniska data" överensstämmer med alla relevanta bestämmelser i direktiv 2011/65/EU (RoHS), 2014/30/EU, 2006/42/EG och följande harmoniserade normerande dokument:

EN 60745-1:2009 + A11:2010
EN 60745-2-5:2010
EN 55014-1:2006 + A1:2009 + A2:2011
EN 55014-2:1997 + A1:2001 + A2:2008
EN 50581:2012

Winnenden, 2016-03-29



Alexander Krug
Managing Director



Befullmäktigad att sammanställa teknisk dokumentation.

Techtronic Industries GmbH
Max-Eyth-Straße 10
71364 Winnenden
Germany

BATTERIER

Beakta dessutom de speciella instruktionerna för Milwaukee C 18 ackumulatörer i laddarens bruksanvisning.

Batteri som ej använts på länge måste laddas före nytt bruk.

En temperatur över 50°C reducerar batteriets effekt. Undvik längre uppvärmning tex i solen eller nära ett element.

Se till att anslutningskontaktarna i laddaren och på batteriet är rena.

För en optimal livslängd ska batterierna laddas helt igen efter användningen.

För att få en så lång livslängd som möjligt bör laddningsbara batterier avlägsnas från laddaren när de är laddade.

Om laddningsbara batterier lagras längre än 30 dagar:

Lagra batteriet torrt och vid ca 27°C.

Lagra batteriet vid ca 30%-50% av laddningskapaciteten.

Ladda batterierna på nytt var 6:e månad.

BATTERI-ÖVERBELASTNINGSSKYDD

Om det uppladdningsbara batteriet överbelastas på grund av mycket hög strömförbrukning, till exempel vid extremt höga vridmoment, fastklämning av borret, plötsligt stopp eller kortslutning, brummar elverktyget i 2 sekunder och stängs sedan av automatiskt.

Släpp därefter först upp tryckknappen och slå sedan på elverktyget igen, om du vill fortsätta bearbetningen.

Vid extrem belastning kan batteriet bli väldigt varmt. I ett sådant fall stängs batteriet av automatiskt.

Sätt då batteriet i laddaren för att ladda upp och aktivera det igen.

TRANSPORTERA LITIJON-BATTERIER

För litiumjon-batterier gäller de lagliga föreskrifterna för transport av farligt gods på väg.

Därför får dessa batterier endast transporteras enligt gällande lokala, nationella och internationella föreskrifter och bestämmelser.

- Konsumenter får transportera dessa batterier på allmän väg utan att behöva beakta särskilda föreskrifter.
- För kommersiell transport av litiumjon-batterier genom en speditorsfirma gäller emellertid bestämmelserna för transport av farligt gods på väg. Endast personal som känner till alla tillämpliga föreskrifter och bestämmelser får förbereda och genomföra transporten. Hela processen ska följas upp på fackmässigt sätt.

Följande ska beaktas i samband med transporten av batterier:

- Säkerställ att alla kontakter är skyddade och isolerade för att undvika kortslutning.
- Se till att batteripacken inte kan glida fram och tillbaka i förpackningen.
- Transportera aldrig batterier som läcker, har runnit ut eller är skadade.

För mer information vänligen kontakta din speditorsfirma.

HANTERINGS-ANVISNING

Om motorn överbelastas stängs den av automatiskt. Efter avkylning tryck på överbelastningsknappen igen och starta maskinen. Om överbelastningsskyddet ofta stänger av maskinen, minska skärtryck eller skärddjup.

SKÖTSEL

Koppla alltid bort verktyget från eluttaget innan du sätter dit eller tar bort sågklingan.

Rengör både verktyget och skyddsanordningen med en torr trasa. En del rengöringsmedel skadar plastmaterialet eller andra isolerade delar på verktyget. Se till att verktyget alltid är rent och torrt samt fri från olja eller fett. Kontrollera alltid skyddskåpans felfria funktion. Regelbundet underhåll och regelbunden rengöring är förutsättning för en lång livslängd och säker användning.

Använd endast Milwaukee-tillbehör och Milwaukee-reservdelar. Komponenter, för vilka inget byte beskrivs, skall bytas ut hos Milwaukee-kundtjänst (se broschyren garanti-/kundtjänstadresser).

Vid behov kan du rekvidera apparatens sprängskiss antingen hos kundservicen eller direkt hos Techtronic Industries GmbH, Max-Eyth-Straße 10, 71364 Winnenden, Germany. Du ska då ange maskintypen och numret på sex siffror som står på effektskylten.

SYMBOLER



OBSERVERA! VARNING! FARA!



Drag ur batteripaket innan arbete utföres på maskinen.



Läs instruktionen noga innan du startar maskinen.



Använd alltid skyddsglasögon.



Elektriska maskiner och elverktyg som kasseras får inte slängas tillsammans med de vanliga hushållssoporna. Elektriska maskiner och verktyg samt elektronisk utrustning som kasseras ska samlas separat och lämnas till en avfallsstation för miljövänlig avfallshantering. Kontakta den lokala myndigheten respektive kommunen eller fråga återförsäljare var det finns speciella avfallsstationer för elskrot.



CE-symbol



Nationell symbol för överensstämmelse Ukraine



EurAsian överensstämmelsesymbol.

TEKNISET ARVOT	METALLISAHAA	HD 18 MS
Tuotantonumero	4312 58 02...	...000001-999999
Kuormittamaton kierros/luku	3600 min ⁻¹	
Sahanterän Ø x reiän Ø	135 x 20 mm	
Suurin leikkausteho		
teräslevy	1,6 mm	
putket	Ø 50 mm	
profiilit	51 mm	
Jännite vaihtoakku	18 V	
Paino EPTA-meneteltyä 01/2003 mukaan	2,6 kg	

Melunpäästö-/tärinä tiedot

Mitta-arvot määritetty EN 60 745 mukaan.

Yleensä työkalun A-luokan melutaso

Melutaso (Epävarmuus K=3dB(A))..... 75 dB (A)

Äänenvoimakkuus (Epävarmuus K=3dB(A))..... 86 dB (A)

Käytä kuulosuojaimia!

Värähtelyn yhteisarvot (kolmen suunnan vektorisumma)

mitattuna EN 60745 mukaan.

Värähtelyemissioarvo a_h..... < 2,5 m/s²

Epävarmuus K=..... 1,5 m/s²

VAROITUS

Näissä ohjeissa mainittu värähtelytaso on mitattu EN 60745 -standardin mukaisella mittausmenetelmällä ja sitä voidaan käyttää sähkötyökalujen vertaamiseen. Sitä voidaan käyttää myös värähtelyrasituksen väliaikaiseen arviointiin.

Mainittu värähtelytaso edustaa sähkötyökalun pääasiallista käyttöä. Jos sähkötyökalua kuitenkin käytetään muihin tehtäviin, poikkeavin työkaluun tai riittämättömästi huoltoaan, värähtelytaso voi olla erilainen. Se voi korottaa värähtelyrasitusta koko työajan osalta.

Tarkan värähtelyrasituksen toteamiseen tulee ottaa huomioon aika, jona laite on kytketty pois tai on kylläkin päällä, mutta ei käytössä. Se voi pienentää värähtelyrasitusta koko työajan osalta.

Määrittele lisäturvatoimenpiteitä käyttäjän suojaamiseksi värinöiden vaikutukselta, kuten esimerkiksi: sähkötyökalujen ja käyttötyökalujen huolto, käsien lämpiminä pitäminen, työvaiheiden organisaatio.

VAROITUS! Lue kaikki turvallisuusmääräykset ja ohjeet. Turvallisuusohjeiden noudattamisen laiminlyönti saattaa johtaa sähköiskuun, tulipalloon ja/tai vakavaan loukkaantumiseen. Säilytä kaikki turvallisuus- ja muut ohjeet tulevaisuutta varten.

VAROITUS! PYÖRÖSAHOJEN TURVALLISUUSMÄÄRÄYKSET

Sahausmenetelmä

VAARA: Pidä kädet loitolla sahausalueelta ja sahanterästä. Pidä toinen käsi lisäkavassa tai moottorikotelossa. Kun molemmat kädet pitelevät pyörösaha, sahanterä ei pysty vahingoittamaan niitä.

Älä pane käsiä työkappaleen alle. Suojus ei pysty suojaamaan käsiä sahanterältä, jos ne ovat työkappaleen alapuolella.

Aseta leikkaussyvyys työkappaleen paksuuden mukaan. Työkappaleen alla tulisi terää näkyä korkeintaan täysi hammaskorkeus.

Älä koskaan pidä sahattavaa työkappaletta kädessä tai jalkojen päällä. Tue työkappaletta tukevaa alustaa vasten. On tärkeää kiinnittää työkappale hyvin, jotta kosketus kehoon, sahanterän jääminen puristukseen ja hallinnan menettäminen estyisi.

Pitele laitetta vain eristetyistä tarttumapinnoista, kun suoritat sellaisia töitä, joissa leikkaustyökalu saattaa osua piilossa oleviin sähköjohtoihin. Kosketus jännitteeseen johtoon saattaa myös koneen metalliosat jännitteiseksi ja johtaa sähköiskuun.

Käytä aina oikean kokoisia sahanteriä sopivalla kiinnitysreiällä (timantinmuotoinen tai pyöreä). Tämä parantaa sahaustarkkuutta ja pienentää riskin, että sahanterä jää puristukseen.

Älä koskaan käytä vaurioituneita sahanterän kiinnityslaattoja tai -pulttia. Sahanterän kiinnityslaatat ja

-pultti on suunniteltu erityisesti sähäsi varten, antaen parasta mahdollista tehokkuutta ja toimintavarmuutta.

Takaiskun syy ja miten sen estät:

- takaisku on äkillinen reaktio, joka johtuu kiinni tarttuneesta, puristukseen jääneestä tai väärin suunnatusta sahanterästä, joka saa hallitsemattoman sahan ponnahtelemaan ylös työkappaleesta käyttäjää kohti;

- jos sahanterä tarttuu tai jää puristukseen sulkeutuvaan sahausuraan, sitä jarrutetaan voimakkaasti ja moottorin voima saattaa sahan ponnahtamaan taaksepäin käyttäjää kohti;

- jos sahanterä kääntyy tai suunnataan väärin sahausurassa, saattavat sahanterän takareunan hampaat tarttua työkappaleen yläpintaan, jolloin sahanterä kilpeää ylös urasta ja saha hypähtää käyttäjää kohti.

Takaisku johtuu sahan väärinkäytöstä tai sahan käytöstä väärään tarkoitukseen tai väärissä olosuhteissa. Se voidaan estää sopivin varotoimen, joita selostetaan seuraavassa.

Pidä sahaa tukevasti kaksin käsin ja saata käsivarret asentoon, jossa voit vastustaa takaiskun voimaa. Pidä kehosi jommallakummalla puolella sahanterää, mutta ei linjalla sahanterän kanssa. Takaiskussa sinkoutuu pyörösaha taaksepäin, käyttäjä voi kuitenkin hallita takaiskuvoimia, jos vain noudatetaan määrättyjä varotoimia.

Jos sahanterä jää puristukseen tai jos sahaus keskeytetään muusta syystä, tulee päästä ote käynnistyskytkimestä ja pitää saha paikoillaan, kunnes terä on pysähtynyt täysin. Älä koskaan koeta vetää sahanterää ylös työkappaleesta tai taaksepäin niin kauan kuin sahanterä pyörii, se saattaa johtaa takaiskuun. Etsi syy sahanterän puristukseen ja poista se sopivin toimenpitein.

Kun tahdot käynnistää uudelleen sahan, joka on työkappaleessa, keskitä sahanterä sahausurassa ja tarkista, että hampaat eivät ole tarttuneet

työkappaleeseen. Jos sahanterä on puristuksessa, se saattaa kivetä ylös työkappaleesta tai aiheuttaa takaiskun, kun saha käynnistetään.

Tue isot levyt, sahanterän puristuksen aiheuttaman takaiskuvaaran minimoimiseksi. Suurilla levyillä on taipumus taipua oman painonsa takia. Levyt tulee tukea molemmilta puolilta, sekä sahanterän vierestä, että reunosta.

Älä käytä tylsiä tai vaurioituneita sahanteriä. Sahanterät, joissa on tylsät tai väärin suunnatut hampaat tekevät liian ahtaan sahausuran, mikä johtaa liialliseen kitkaan, sahanterän puristukseen ja takaiskuun.

Kiristä sahausyvyuden ja leikkauskulman säätöruuvi kiinni. Jos muutat säätöjä sahausajan aikana, saattaa se johtaa sahanterän puristukseen ja takaiskuun.

Ole erityisen varovainen kun sahaat ”upposahauksen” peitossa olevaan alueeseen, esim. seinään. Sahanterä saattaa upotessaan osua piilossa oleviin kohteisiin, jotka aiheuttavat takaiskun.

Alemman suojakuvun toiminta

Tarkista ennen jokaista käyttöä, että alempi suojus sulkeutuu moitteettomasti. Älä käytä sahaa, jos alempi suojus ei liiku vapaasti ja sulkeudu välittömästi. Älä koskaan purista tai sido alemmaa suojusta auki-asettoon. Jos saha tahattomasti putoa lattiaan, saattaa alempi suojus taipua. Nosta suojusta nostovivulla ja varmista, että suojus liikkuu vapaasti, eikä kosketa sahanterää tai muita osia missään sahauskulmassa.

Tarkista alemman suojuksen jousen toiminta. Anna huoltaa saha, jos alempi suojus tai jousi ei toimi moitteettomasti. Alempi suojus saattaa toimia jäykkäliikkeisesti johtuen vioittuneista osista, tahmeista kerrostumista tai lastukasaantumista.

Avaa alempi suojus käsin vain erikoisissa sahausissa, kuten ”uppo- ja kulmasahauksissa”. Avaa alempi suojus nostovivulla, ja päästä se vapaaksi heti, kun sahanterä on oppunut työkappaleeseen. Kaikissa muissa sahaustöissä alemman suojuksen tulee toimia automaattisesti.

Älä aseta sahaa työpenkille tai lattialle, ellei alempi suojus peitä sahanterää. Suojaamaton jälkikävyä sahanterä kuljettaa sahaa taaksepäin ja sahaa kaiken, mikä osuu sen tielle. Ota huomioon, että kestää vähän aikaa ennen kuin sahanterä pysähtyy, virran katkaisun jälkeen.

TÄYDENTÄVIÄ TURVALLISUUSMÄÄRÄYKSIÄ JA TYÖSKENTELYOHJEITA

Tarkista pistotulppa ja verkkojohto mahdollisilta vaurioilta. Viat saa korjata vain alan erikoismielis.

Käytettyjä vaihtoakkuja ei saa polttaa eikä poistaa normaalin jätehuollon kautta. Milwaukeella on tarjolla vanhoja vaihtoakkuja varten ympäristöystävällinen jätehuoltopalvelu.

Vaihtoakkuja ei saa säilyttää yhdessä metalliesineiden kanssa (oikosulkuvaara).

Käytä ainoastaan System C 18 latauslaitetta System C 18 akkujen lataukseen. Älä käytä muiden järjestelmien akkuja.

Vaihtoakkuja ja latauslaitteita ei saa avata. Säilytys vain kuivissa tiloissa. Suojattava kosteudelta.

Sahanteriä, joiden tunnustetiedot erivät tästä käyttöohjeesta, ei saa käyttää.

Käytä korvasuojia. Altistuminen melulle voi vahingoittaa kuuloa.

Ei saa käyttää hiomalaikkoja!

Mikäli läpinäkyvä sahanteränsuojus on haljennut tai särkynyt, niin valtuutetun ammattikorjaamon tulee heti vaihtaa se uuteen. Koneetta ei saa käyttää viallisen sahanteränsuojuksen kera tai jos se puuttuu kokonaan.

TARKOITUKSEN MUKAINEN KÄYTTÖ

Metallisaha on tarkoin aseteltavissa suorissa ja viistosahauksia varten erilaisiin metalleihin kuten metalliprofiileihin (UniStrut), putkiin, pultteihin, kanaviin, alumiiniprofiileihin, metallilevyihin ym.

Älä käytä tuotetta ohjeiden vastaisesti.

TODISTUS CE-STANDARDIN MUKAISUUDESTA

Vakuutamme yksinvastuullisesti, että kohdassa ”Tekniset tiedot” kuvattu tuote vastaa kaikkia sitä koskevia direktiivien 2011/65/EU (RoHS), 2014/30/EU, 2006/42/EY määräyksiä sekä seuraavia harmonisoituja standardisoivia asiakirjoja:

EN 60745-1:2009 + A11:2010

EN 60745-2-5:2010

EN 55014-1:2006 + A1:2009 + A2:2011

EN 55014-2:1997 + A1:2001 + A2:2008

EN 50581:2012

Winnenden, 2016-03-29



Alexander Krug
Managing Director



Valtuutettu kokoamaan tekniset dokumentit.

Techtronic Industries GmbH

Max-Eyth-Straße 10

71364 Winnenden

Germany

AKKU

Noudata latauslaitteen käyttöohjeessa annettuja Milwaukee 18 V-akkuja koskevia erityisiä ohjeita.

Pitkään käyttämättä olleet vaihtoakut on ladattava ennen käyttöä.

Yli 50°C lämpötilassa akun suorituskyky heikkenee. Vältäthän akkujen säilyttämistä auringossa tai kuumissa tiloissa.

Pidä aina latauslaitteen ja akun kosketinpinnat puhtaina.

Akut on ladattava täyteen käytön jälkeen optimaalisen eliniän säilyttämiseksi.

Mahdollisimman pitkän elinajan takaamiseksi akut tulee poistaa laturista lataamisen jälkeen.

Akkuja yli 30 päivää säilytettäessä: Säilytä akku yli 27 °C:ssa ja kuivassa. Säilytä akku sen latauksen ollessa 30 % - 50 %. Lataa akku 6 kuukauden välein uudelleen.

AKUN YLIKUORMITUSSUOJAUS

Jos akku ylikuormittuu erittäin suuren virrankulutuksen vuoksi, esim. erittäin suurten vääntömomenttien, poranterän kiinnijuuttumisen, äkillisen pysähtymisen tai lyhytsulun vuoksi, niin sähkötyökalu surisee 2 sekunnin ajan ja sammuu sitten omatoimisesti.

Käynnistä laite uudelleen päästämällä katkaisinpainike irti ja kytkemällä se sitten uudelleen. Erittäin suuressa kuormituksessa saattaa akku kuumeta liikaa. Tässä tapauksessa akku kytkeytyy pois.

Työnä akku sitten latauslaitteeseen ja lataa se jälleen, jotta se aktivoituu.

LITIUM-IONIAKKUJEN KULJETTAMINEN

Litiumi-ioniakut kuuluvat vaarallisten aineiden kuljetuksesta annettujen lakien piiriin.

Näiden akkujen kuljettaminen täytyy suorittaa noudattaen paikallisia, kansallisia ja kansainvälisiä määräyksiä ja säädöksiä.

- Kuluttajat saavat ilman muuta kuljettaa näitä akkuja teitä pitkin.
- Kaupallisessa kuljetuksessa huolintaliikkeiden täytyy kuljettaa litiumi-ioniakkuja vaarallisten aineiden kuljetuksesta annettujen määräysten mukaisesti. Ainoastaan tähän vastaavasti koulutetut henkilöt saavat suorittaa kuljetuksen valmistelutoimet ja itse kuljetuksen. Koko prosessia tulee valvoa asiantuntevasti.

Seuraavat kohdat tulee huomioida akkuja kuljetettaessa:

- Varmista, että akkujen kontaktit on suojattu ja eristetty, jotta vältetään lyhytsulut.
- Huolehdi siitä, ettei akkusaaria voi luiskahtaa paikaltaan pakkauksen sisällä.
- Vahingoittuneita tai vuotavia akkuja ei saa kuljettaa.

Pyydä tarkemmat tiedot huolintaliikkeeltäsi.

KÄYTTÖVIHJEITÄ

Kone pysähtyy automaattisesti moottoria ylikuormitettaessa. Anna sen jäähtyä, paina ylikuormanappia ja käynnistä kone uudelleen. Mikäli ylikuormasuojalaite laukeaa toistuvasti, vähennä kuormitusta tai jrsintäsvyyttä.

HUOLTO

Muista irrottaa laite virtalähteestä, ennen kuin kiinnität tai irrotat sahanterän.

Puhdista laite ja suojavarusteet kuivalla liinalla. Monet puhdistusaineet vahingoittavat muovia tai muita eristettyjä osia. Pidä laite puhtaana ja kuivana ja poista ulos valunut öljy tai rasva heti. Tarkasta suojakupujen toiminta. Säännöllinen huolto ja puhdistus varmistavat pitkän eliniän ja turvallisen käsittelyn.

Käytä ainoastaan Milwaukee lisätarvikkeita ja Milwaukee varaosia. Mikäli jokin komponentti, jota ei ole kuvailtu, tarvitsee vaihtoa ota yhteys johonkin Milwaukee palvelupisteistä (kts. listamme takuuhuoltoaliikkeiden/ palvelupisteiden osoitteista)

Tarvittaessa voit pyytää laitteen räjähdyspiirustuksen ilmoittaen konetyypin ja tyyppikilvessä olevan kuusinumeroisen luvun huoltopalvelustasi tai suoraan osoitteella Techtronic Industries GmbH, Max-Eyth-Strasse 10, 71364 Winnenden, Saksa.

SYMBOLIT



HUOMIO! VAROITUS! VAARA!



Ota akku pois ennen kaikkea koneeseen tehtäviä toimenpiteitä.



Lue käyttöohjeet huolellisesti, ennen koneen käynnistämistä.



Käytä laitteella työskennellessäsi aina suojalaseja.



Sähkölaitteita ei saa hävittää yhdessä kotitalousjätteiden kanssa. Sähkö- ja elektroniset laitteet tulee kerätä erikseen ja toimittaa kierrätysliikkeeseen ympäristöystävällistä hävittämistä varten. Pyydä paikallisilta viranomaisilta tai alan kauppiailtasi tarkemmat tiedot kierrätyspisteistä ja keräyspaikoista.



CE-merkki



Kansallinen standardinmukaisuusmerkki Ukraina



EurAsian-vaatimustenmukaisuusmerkki.

TEKNIKA SΤΟΙΧΕΙΑ

ΜΕΤΑΛΛΙΚΑ

HD 18 MS

Αριθμός παραγωγής.....	4312 58 02... ...000001-999999
Αριθμός στροφών χωρίς φορτίο	3600 min ⁻¹
Διάμετρος λεπίδας πριονιού x διάμετρος διάτρησης	135 x 20 mm
Μεγ. ισχύς κοπής Σε χαλύβδινη λαμαρίνα	1,6 mm
Σωλήνες.....	ø 50 mm
Προφίλ	51 mm
Τάση ανταλλακτικής μπαταρίας	18 V
Βάρος σύμφωνα με τη διαδικασία EPTA 01/2003	2,6 kg

Πληροφορίες θορύβου/δονήσεων

Τιμές μέτρησης εξακριβωμένες κατά EN 60 745.

Τυπική A αξιολογημένη στάθμη θορύβου:

Στάθμη ηχητικής πίεσης (Ανασφάλεια K=3dB(A))

75 dB (A)

Στάθμη ηχητικής ισχύος (Ανασφάλεια K=3dB(A))

86 dB (A)

Φοράτε προστασία ακοής (ωτασπίδες)!

Υλικές τιμές κραδασμών (άθροισμα διανυσμάτων τριών διευθύνσεων) εξακριβώθηκαν σύμφωνα με τα πρότυπα EN 60745.

Τιμή εκπομπής δονήσεων a_h

< 2,5 m/s²

Ανασφάλεια K=.....

1,5 m/s²

ΠΡΟΕΙΔΟΠΟΙΗΣΗ

Το αναφερόμενο σ' αυτές τις οδηγίες επίπεδο δονήσεων έχει μετρηθεί με μια τυποποιημένη σύμφωνα με το EN 60745 μέθοδο μέτρησης και μπορεί να χρησιμοποιηθεί για τη σύγκριση των ηλεκτρικών εργαλείων μεταξύ τους. Αυτό είναι επίσης κατάλληλο για μια προσωρινή εκτίμηση της επιβάρυνσης των δονήσεων.

Το αναφερόμενο επίπεδο δονήσεων αντιπροσωπεύει τις κύριες χρήσεις του ηλεκτρικού εργαλείου. Εάν όμως το ηλεκτρικό χρησιμοποιείται σε άλλες χρήσεις, με διαφορετικά εργαλεία εφαρμογής ή ανεπαρκή συντήρηση, μπορεί να υπάρξει απόκλιση του επιπέδου δονήσεων. Αυτό μπορεί να αυξήσει σημαντικά την επιβάρυνση των δονήσεων για τη συνολική διάρκεια της εργασίας.

Για μια ακριβή εκτίμηση της επιβάρυνσης των δονήσεων οφείλουν επίσης να λαμβάνονται υπόψη οι χρόνοι, στους οποίους η συσκευή είναι απενεργοποιημένη ή είναι μεν ενεργοποιημένη αλλά δεν χρησιμοποιείται πραγματικά. Αυτό μπορεί να μειώσει σημαντικά την επιβάρυνση των δονήσεων για τη συνολική διάρκεια της εργασίας.

Καθορίζετε πρόσθετα μέτρα ασφαλείας για την προστασία του χειριστή από την επίδραση των δονήσεων όπως για παράδειγμα: Συντήρηση του ηλεκτρικού εργαλείου και των εργαλείων εφαρμογής, διατηρείτε ζεστά τα χέρια, οργάνωση των διαδικασιών εργασίας.

⚠ ΠΡΟΣΟΧΗ! Διαβάστε όλες τις οδηγίες ασφαλείας και τις οδηγίες χρήσεως. Αμέλειες κατά την τήρηση των προειδοποιητικών υποδείξεων μπορεί να προκαλέσουν ηλεκτροπληξία, κίνδυνο πυρκαγιάς ή/και σοβαρούς τραυματισμούς.
Φυλάξτε όλες τις προειδοποιητικές υποδείξεις και οδηγίες για κάθε μελλοντική χρήση.

⚠ ΥΠΟΔΕΙΞΕΙΣ ΑΣΦΑΛΕΙΑΣ ΓΙΑ ΔΙΣΚΟΠΡΙΟΝΑ.

Μέθοδοι πριονίσματος

⚠ ΚΙΝΔΥΝΟΣ: Μη βάζετε τα χέρια σας στην περιοχή του πριονιού ή στον πριονόδισκο. Κρατάτε με το άλλο [το δεύτερο] χέρι σας την πρόσθετη λαβή ή το περίβλημα του κινητήρα. Όταν κρατάτε το δισκοπρίονο και με τα δυο σας χέρια τότε ο πριονόδισκος δεν μπορεί να σας τραυματίσει.

Μη βάζετε τα χέρια σας κάτω από το υπό κατεργασία τεμάχιο. Ο προφίλακτήρας δεν μπορεί να τα προστατέψει από τον πριονόδισκο όταν αυτά βρίσκονται κάτω από το υπό κατεργασία τεμάχιο.

Προσαρμόστε το βάθος κοπής στο πάχος του υπό κατεργασία τεμαχίου. Κάτω το υπό κατεργασία τεμάχιο πρέπει να φαίνεται λιγότερο από ένα ολόκληρο δόντι του πριονόδισκου.

Μη συγκρατείτε ποτέ το υπό κατεργασία τεμάχιο με το χέρι και μην το ακουμπάτε ποτέ στα πόδια [τα σκέλη] σας.

Ασφαλίστε το υπό κατεργασία τεμάχιο επάνω σε μια σταθερή επιφάνεια. Το καλό σπέρωμα του υπό κατεργασία τεμαχίου είναι πολύ σημαντικό επειδή έτσι μειώνεται στο ελάχιστο ο κίνδυνος της επαφής του με το σώμα σας, το μπλοκάρισμα του πριονόδισκου ή η απώλεια του ελέγχου του.

Να πιάνετε τη συσκευή στις μονωμένες χειρολαβές όταν εκτελείτε εργασίες κατά τις οποίες τα κοπτικά εργαλεία θα μπορούσαν να πέσουν επάνω σε κρυμμένα καλώδια ρεύματος. Η επαφή του πριονόδισκου με μια υπό τάση ευρισκόμενη ηλεκτρική γραμμή θέτει επίσης και τα μεταλλικά

τεμάχια του μηχανήματος υπό τάση κι έτσι μπορεί να οδηγήσει σε ηλεκτροπληξία.

Όταν διεξάγετε διαμήκεις [μακρουλές] κοπές χρησιμοποιείτε πάντοτε έναν οδηγό κοπής ή μια διάταξη ευθυγράμμισης της τομής. Μ' αυτόν τον τρόπο βελτιώνεται η ακριβεία της τομής κι ελαττώνονται οι πιθανότητες σφηνώματος του πριονόδισκου

Χρησιμοποιείτε πάντοτε πριονόδισκους με το σωστό μέγεθος και με κατάλληλη τρύπα υποδοχής (π. χ. με στρογγυλή ή αστεροειδή τρύπα). Πριονόδισκοι που δεν ταιριάζουν με τα εξαρτήματα συναρμολόγησης του πριονιού περιστρέφονται ασύμμετρα και οδηγούν στην απώλεια του ελέγχου του μηχανήματος.

Μη χρησιμοποιήσετε ποτέ χαλασμένους ή ακατάλληλους πριονόδισκους, ακατάλληλες ροδέλες ή βίδες. Οι ροδέλες και οι βίδες κατασκευάζονται ειδικά για τον εκάστοτε πριονόδισκο κι εξασφαλίζουν έτσι τη μέγιστη δυνατή απόδοση και ασφάλεια λειτουργίας.

Αιτίες και αποφυγή κλοστήματος:

-το κλότσημα είναι η απροσδόκητη αντίδραση του πριονόδισκου όταν αυτός "σκοντάψει" ή μπλοκάρει ή όταν είναι λάθος συναρμολογημένος· αυτό προκαλεί το ανασήκωμα του ανεξέλεγκτου πλέον πριονιού από το υπό κατεργασία τεμάχιο και στην κίνησή του με κατεύθυνση προς το χειριστή·

-όταν ο πριονόδισκος ή σφηνώσει στη σχισμή πριονίσματος όταν αυτή κλείνει, τότε αυτός μπλοκάρει και η δύναμη του κινητήρα "κλωσά" το μηχανήμα με κατεύθυνση προς το χειριστή·

-όταν ο πριονόδισκος στρεβλώσει ή όταν είναι λάθος συναρμολογημένος, τότε δεν αποκλείεται τα δόντια στην πίσω ακμή του πριονόδισκου να σφηνώσουν στην επιφάνεια του υπό κατεργασία τεμαχίου κι έτσι ο πριονόδισκος να πεταχτεί έξω από το υπό κατεργασία τεμάχιο και το πριόνι να εκπιναχτεί με κατεύθυνση προς ο χειριστή·

Το κλότσμα αποτελεί συνέπεια ενός εσφαλμένου ή ελλιπούς χειρισμού του πριονιού. Μπορεί να αποφευχθεί με κατάλληλα προληπτικά μέτρα, όπως αυτά που περιγράφονται παρακάτω.

Να κρατάτε το πριόνι και με τα δυο σας χέρια και να δίνετε στους βραχιόνες σας μια θέση, στην οποία θα μπορέσετε να αντιμετωπίσετε τυχόν αντιπραστικές δυνάμεις [κλότσματα] του μηχανήματος. Να στέκεστε πάντα δίπλα από τον πριονόδισκο και ποτέ στην ίδια γραμμή μ' αυτόν. Σε περίπτωση κλοτσήματος το δισκοπρίονο μπορεί μεν να εκπναχτεί προς τα πίσω, όμως, όταν έχουν ληφθεί κατάλληλα προληπτικά μέτρα, ο χειριστής μπορεί να αντιμετωπίσει με επιτυχία το κλότσμα.

Σε περίπτωση που ο πριονόδισκος μπλοκάρει ή το πριόνισμα διακοπεί από οποιοδήποτε άλλη αιτία, τότε αφήστε το διακόπτη ON/OFF ελεύθερο και κρατήστε το πριόνι με ηρεμία μέσα στο υλικό μέχρι να ακινητοποιηθεί εντελώς ο πριονόδισκος. Μην προσπαθήσετε ποτέ να απομακρύνετε το πριόνι από το υπό καταργασία τεμάχιο ή να το τραβήξετε προς τα πίσω όσο ο πριονόδισκος κινείται ή όταν υπάρχει ακόμη κίνδυνος κλοτσήματος. Εξαρκβίβωστε την αιτία του μπλοκαρίσματος του πριονόδισκου και εξουδετερώστε την με τα κατάλληλα μέτρα.

Όταν θελήσετε να εκκινήσετε πάλι ένα ακινητοποιημένο πριόνι του οποίου ο πριονόδισκος βρίσκεται μέσα στο υπό καταργασία τεμάχιο, ευθυγραμμίστε τον πριονόδισκο μέσα στη σχισμή κοπής κι ελέγξτε, μήπως τα δόντια του είναι σφηνωμένα μέσα στο υπό καταργασία τεμάχιο. Όταν ο πριονόδισκος είναι μπλοκαρισμένος μπορεί να πεταχτεί έξω από το υπό καταργασία τεμάχιο ή να κλοτσήσει όταν το πριόνι τεθεί πάλι σε λειτουργία.

Μεγάλες υπό καταργασία πλάκες πρέπει να υποστηρίζονται για να μειωθεί ο κίνδυνος κλοτσήματος από έναν τυχόν σφηνωμένο πριονόδισκο. Οι μεγάλες πλάκες μπορεί να λυγίσουν από το ίδιο τους το βάρος. Οι πλάκες πρέπει να υποστηρίζονται και στις δυο πλευρές τους, και κοντά στον πριονόδισκο και στα άκρα τους.

Μη χρησιμοποιείτε αμβλείς ή χαλασμένους πριονόδισκους. Πριονόδισκοι με μη κοφτερά ή με λάθος ευθυγραμμισμένα δόντια προκαλούν, εξαιτίας της πολύ στενής σχισμής πριονίσματος, αύξηση της τριβής, σφηνώματα του πριονόδισκου και κλότσμα.

Πριν το πριόνισμα σφίξτε καλά τις διατάξεις ρύθμισης του βάθους και της γωνίας κοπής. Σε περίπτωση που οι ρυθμίσεις μεταβληθούν κατά τη διάρκεια του πριονίσματος μπορεί να μπλοκάρει ο πριονόδισκος και να οδηγήσει έτσι σε κλότσμα.

Προσέχετε ιδιαίτερα όταν διεξάγετε "κοπές βύθισης" σε μη ορατούς τομείς, π. χ. σ' έναν ήδη υπάρχοντα τοίχο. Ο βυθιζόμενος πριονόδισκος μπορεί να μπλοκάρει σε μη ορατά αντικείμενα και να οδηγήσει έτσι σε κλότσμα.

Λειτουργία του κάτω καλύμματος προστασίας

Ελέγχετε πριν από κάθε χρήση αν κλείνει άψογα ο κάτω προφυλακτήρας. Μη χρησιμοποιήσετε το πριόνι όταν ο κάτω προφυλακτήρας δεν κινείται ελεύθερα και δεν κλείνει αμέσως. Μη σφηνώνετε και μη δένετε ποτέ τον κάτω προφυλακτήρα για να παραμείνει ανοιχτός. Ο κάτω προφυλακτήρας μπορεί να στρεβλωθεί σε περίπτωση που το πριόνι πέσει αθέλγητα στο έδαφος. Ανοιξτε τον προφυλακτήρα με τη βοήθεια της λαβής και βεβαιωθείτε ότι κινείται ελεύθερα καθώς και ότι δεν εγγίζει τον πριονόδισκο ή άλλα τμήματα του πριονιού, σε οποιοδήποτε βάθος ή γωνία κοπής κι αν ρυθμιστεί.

Ελέγξτε τη λειτουργία του ελατηρίου του κάτω προφυλακτήρα. Δώστε το μηχανήμα για συντήρηση πριν το χρησιμοποιήσετε σε περίπτωση που ο κάτω προφυλακτήρας ή/και το ελατήριο δε λειτουργούν άψογα. Χαλασμένα εξαρτήματα, κολλώδη ιζήματα ή συσσωρευμένες γρεζίνω ή ροκανιδίων επιβραδύνουν την κίνηση του προφυλακτήρα.

Ο κάτω προφυλακτήρας επιτρέπεται να ανοιχτεί με το χέρι μόνο για τη διεξαγωγή ιδιαίτερων κοπών, π. χ. για "κοπές βύθισης και κοπές γωνιών". Ανοιξτε τον προφυλακτήρα με τη βοήθεια της λαβής κι αφήστε τον πάλι ελεύθερο μόλις ο πριονόδισκος βυθιστεί στο υπό καταργασία τεμάχιο. Σε όλες τις άλλες εργασίες κοπής ο προφυλακτήρας πρέπει να λειτουργεί αυτόματα.

Μην αποθέσετε το πριόνι επάνω στο τραπέζι εργασίας ή στο δάπεδο χωρίς ο κάτω προφυλακτήρας να καλύπτει τον πριονόδισκο. Ένας ακάλυπτος πριονόδισκος που συνεχίζει να περιστρέφεται κινεί το πριόνι με φορά αντίθετη της φοράς κοπής και πριονίζει ότι συναντήσει στο δρόμο του. Λάβετε υπόψη σας το χρόνο που χρειάζεται μέχρι να ακινητοποιηθεί εντελώς το πριόνι [χρόνος ιχνηλασίας].

ΠΕΡΑΙΤΕΡΟ ΟΔΗΓΙΕΣ ΑΣΦΑΛΕΙΑΣ ΚΑΙ ΧΡΗΣΕΩΣ

Πριν από κάθε εργασία στη μηχανή αφαιρείτε την ανταλλακτική μπαταρία.

Μην πετάτε τις μεταχειρισμένες ανταλλακτικές μπαταρίες στη φωτιά ή στα οικιακά απορρίμματα. Η Milwaukee προσφέρει μια απόσυρση των παλιών ανταλλακτικών μπαταριών σύμφωνα με τους κανόνες προστασίας του περιβάλλοντος, ρωτήστε παρακαλώ σχετικά στο ειδικό κατάστημα πώλησης.

Μην αποθηκεύετε τις ανταλλακτικές μπαταρίες μαζί με μεταλλικά αντικείμενα (κίνδυνος βραχυκυκλώματος).

Φορτίζετε τις ανταλλακτικές μπαταρίες του συστήματος System C 18 μόνο με φορτιστές του συστήματος System C 18. Μη φορτίζετε μπαταρίες από άλλα συστήματα.

Μην ανοίγετε τις ανταλλακτικές μπαταρίες και τους φορτιστές και χρησιμοποιείτε για αποθήκευση μόνο στεγνούς χώρους. Προστατεύστε τις ανταλλακτικές μπαταρίες και τους φορτιστές από την υγρασία.

Οι λεπίδες πριονιού, που δεν αντιστοιχούν με τα χαρακτηριστικά στοιχεία σε αυτές τις οδηγίες χρήσης, δεν επιτρέπεται να χρησιμοποιηθούν.

Φοράτε ωτοασπίδες. Η επίδραση θορύβου μπορεί να προκαλέσει απώλεια ακοής.

Παρακαλώ, μην τοποθετείτε λειαντικούς δίσκους!

Εάν το διαφανές κάλυμμα πριονόδισκου είναι κομμένο ή σπασμένο, πρέπει αυτό να αντικατασταθεί αμέσως από ένα εξουσιοδοτημένο συνεργείο. Σε περίπτωση που το κάλυμμα πριονόδισκου έχει βλάβη ή λείπει το μηχανήμα δεν επιτρέπεται να τεθεί σε λειτουργία.

ΧΡΗΣΗ ΣΥΜΦΩΝΑ ΜΕ ΤΟ ΣΚΟΠΟ ΠΡΟΟΡΙΣΜΟΥ

Το μεταλλικό πριόνι χρησιμοποιείται για το πριόνισμα των ευθύγραμμων τομών σε διάφορα είδη μετάλλου όπως π.χ. μεταλλικά προφίλ (UniStrut), σωλήνες. Βάση στεγνής κατασκευής, κανάλια καλωδίων, προφίλ αλουμινίου, λαμαρίνες, κλπ.

Αυτή η συσκευή επιτρέπεται να χρησιμοποιηθεί μόνο σύμφωνα με τον αναφερόμενο σκοπό προορισμού.

ΔΗΛΩΣΗ ΠΙΣΤΟΤΗΤΑΣ ΕΚ

Δηλώνουμε υπεύθυνα ότι το προϊόν που περιγράφεται στο κεφάλαιο «Τεχνικά χαρακτηριστικά» είναι συμβατό με τις διατάξεις της Κοινοτικής Οδηγίας 2011/65/EU (RoHS), 2014/30/EU, 2006/42/EK και με τα ακόλουθα εναρμονισμένα κανονιστικά έγγραφα:

EN 60745-1:2009 + A11:2010
EN 60745-2-5:2010
EN 55014-1:2006 + A1:2009 + A2:2011
EN 55014-2:1997 + A1:2001 + A2:2008
EN 50581:2012

Winnenden, 2016-03-29



Alexander Krug
Managing Director

Εξουσιοδοτημένος να συντάξει τον τεχνικό φάκελο.

Techtronic Industries GmbH
Max-Eyth-Straße 10
71364 Winnenden
Germany



ΜΠΑΤΑΡΙΕΣ

Προσέχετε τις ειδικές υποδείξεις για Milwaukee C 18 μπαταρίες στις οδηγίες χειρισμού της συσκευής φόρτισης.

Επαναφορτίζετε τις ανταλλακτικές μπαταρίες που δεν έχουν χρησιμοποιηθεί για μεγαλύτερο χρονικό διάστημα πριν τη χρήση.

Μια θερμοκρασία πάνω από 50°C μειώνει την ισχύ της ανταλλακτικής μπαταρίας. Αποφεύγετε τη θέρμανση για μεγαλύτερο χρονικό διάστημα από τον ήλιο ή τις συσκευές θέρμανσης.

Διατηρείτε τις επαφές σύνδεσης στο φορτιστή και στην ανταλλακτική μπαταρία καθαρές.

Για μια άριστη διάρκεια ζωής πρέπει μετά τη χρήση οι μπαταρίες να φορτιστούν πλήρως.

Για μια κατά το δυνατόν μεγάλη διάρκεια ζωής οι μπαταρίες μετά τη φόρτιση οφείλουν να αφαιρεθούν από το φορτιστή.

Για την αποθήκευση της μπαταρίας για διάστημα μεγαλύτερο των 30 ημερών:

Αποθηκεύετε τη μπαταρία περ. στους 27°C σε στεγνό χώρο. Αποθηκεύετε τη μπαταρία περ. στο 30%-50% της κατάστασης φόρτισης. Κάθε 6 μήνες φορτίζετε εκ νέου τη μπαταρία.

ΠΡΟΣΤΑΣΙΑ ΥΠΕΡΦΟΡΤΩΣΗΣ ΤΗΣ ΜΠΑΤΑΡΙΑΣ

Σε υπερφόρτωση της μπαταρίας από πολύ υψηλή κατανάλωση ρεύματος, π. χ. από ακραίες υψηλές ροπές περιστροφής, μπλοκάρισμα του τρυπανιού, ζαφνικό στοπ ή βραχυκύκλωμα, δονείται το ηλεκτρικό εργαλείο για 5 δευτερόλεπτα, αναβοσβήνει ή ένδειξη φόρτισης και το ηλεκτρικό εργαλείο απενεργοποιείται αυτόματα. Για μία νέα ενεργοποίηση, αφήνετε ελεύθερο το διακόπτη και στη συνέχεια ενεργοποιείτε εκ νέου.

Κάτω από ακραίες καταπονήσεις θερμαίνεται πάρα πολύ η μπαταρία. Στην περίπτωση αυτή αναβοσβήνουν όλες οι λάμπες της ένδειξης φόρτισης μέχρι να έχει κρυώσει η μπαταρία. Μετά το σβήσιμο της ένδειξης φόρτισης μπορεί να συνεχιστεί η συνεργασία.

ΜΕΤΑΦΟΡΑ ΤΩΝ ΜΠΑΤΑΡΙΩΝ ΙΟΝΤΩΝ ΛΙΘΙΟΥ

Οι μπαταρίες ιόντων λιθίου υπόκεινται στις απαιτήσεις των νομικών διατάξεων για την μεταφορά επικινδύνων εμπορευμάτων.

Η μεταφορά τέτοιων μπαταριών πρέπει να πραγματοποιείται ητρώντας τους τοπικούς, εθνικούς και διεθνείς κανονισμούς και τις αντίστοιχες διατάξεις.

- Επιτρέπεται η μεταφορά τέτοιων μπαταριών στο δρόμο χωρίς περαιτέρω απαιτήσεις.
- Η εμπορική μεταφορά μπαταριών ιόντων λιθίου από εταιρείες μεταφορών υπόκειται στις απαιτήσεις των νομικών διατάξεων για την μεταφορά επικινδύνων εμπορευμάτων. Οι προετοιμασίες αποστολής και η μεταφορά πραγματοποιούνται αποκλειστικά από ειδικά εκπαιδευμένα πρόσωπα. Η συνολική διαδικασία συνοδεύεται από εξειδικευμένο προσωπικό.

Κατά τη μεταφορά μπαταριών ιόντων λιθίου πρέπει να προσέχετε τα εξής:

- Φροντίστε τα σημεία επαφών να είναι προστατευμένα και μονωμένα ώστε να αποφευχθούν βραχυκυκλώματα.
- Προσέξτε το πακέτο μπαταριών να είναι σταθερό μέσα στη συσκευασία και να μη γλιστρά.
- Η μεταφορά μπαταριών που παρουσιάζουν φθορές ή διαρροές δεν επιτρέπεται.

Για περισσότερες πληροφορίες απευθυνθείτε στην εταιρεία μετάφορων.

ΥΠΟΔΕΙΞΕΙΣ ΕΡΓΑΣΙΑΣ

Σε περίπτωση υπερφόρτωσης του κινητήρα απενεργοποιείται αυτόματα η μηχανή. Αφού κρυώσει η μηχανή πατήστε πάλι το κουμπάκι υπερφόρτωσης και ενεργοποιήστε πάλι τη μηχανή. Όταν υπάρχει συχνή απενεργοποίησης μέσω της προστασίας υπερφόρτωσης, τότε μειώστε την πίεση κοπής ή το βάθος τομής.

ΣΥΝΤΗΡΗΣΗ

Αποσυνδέετε το εργαλείο από το ρεύμα πριν τοποθετήσετε ή αφαιρέσετε την λεπίδα κόπτη.

Καθαρίζετε την συσκευή και τον εξοπλισμό προστασίας με ένα στεγνό πανί. Μερικά απορρυπαντικά προκαλούν φθορές στο πλαστικό και σε άλλα μονωμένα μέρη. Διατηρείτε την συσκευή καθαρή, στεγνή και φροντίστε να μην έχει λεκέδες από διαρροές λαδιού ή γράσου. Ελέγξτε αν λειτουργεί σωστά η καλύπτρα προστασίας. Τακτική συντήρηση και καθαρισμός είναι απαραίτητα για μεγάλη διάρκεια ζωής και ασφαλή λειτουργία.

Χρησιμοποιείτε μόνο πρόσθ. εξαρτήματα Milwaukee και ανταλλακτικά Milwaukee. Κατ'ασκ. τμήματα, που η αλλαγή τους δεν περιγράφεται, αντικαθίστανται σε μια τεχνική υποστήριξη της Milwaukee (βλέπε φυλλάδιο εγγύηση) / διευθύνσεις τεχνικής υποστήριξης).

Σε περίπτωση που το χρεαστείτε μπορείτε να παραγγείλετε λεπτομερές σχέδιο της συσκευής αναφέροντας τον τύπο και τον εξαψήφιο αριθμό που βρίσκεται στην πινακίδα τεχνικών χαρακτηριστικών από την εξυπηρέτηση πελατών ή απευθείας από την Techtronic Industries GmbH, διεύθυνση Max-Eyth-Straße 10, 71364 Winnenden, Germany.

ΣΥΜΒΟΛΑ



ΠΡΟΣΟΧΗ! ΠΡΟΕΙΔΟΠΟΙΗΣΗ! ΚΙΝΔΥΝΟΣ!



Πριν από κάθε εργασία στη μηχανή αφαιρείτε την ανταλλακτική μπαταρία.



Παρακαλώ διαβάστε σχολαστικά τις οδηγίες χρήσης πριν από την έναρξη λειτουργίας.



Στις εργασίες με τη μηχανή φοράτε πάντοτε προστατευτικά γυαλιά.



Ηλεκτρικά μηχανήματα δεν επιτρέπεται να απορρίπτονται μαζί με τα οικιακά απορρίμματα. Ηλεκτρικά και ηλεκτρονικά μηχανήματα συλλέγονται ξεχωριστά και παράδιδονται προς ανακύκλωση με τρόπο φιλικό προς το περιβάλλον σε επιχείρηση επεξεργασίας απορριμμάτων.

Ενημερωθείτε από τις τοπικές υπηρεσίες ή από ειδικευμένους εμπόρους σχετικά με κέντρα ανακύκλωσης και συλλογής απορριμμάτων.

Σήμα συμμόρφωσης CE



TR 066



Εθνικό σήμα πιστότητας Ουκρανία

EurAsian σήμα πιστότητας.

TEKNİK VERİLER	METAL TESTERESİ	HD 18 MS
Üretim numarası.....	4312 58 02...	..000001-999999
Boşta ki devir sayısı.....	3600 min ⁻¹	
Testere bıçağı çapı x delik çapı	135 x 20 mm	
Maksimum kesme gücü		
Çelik sacda.....	1,6 mm	
Borular.....	ø 50 mm	
Profiller.....	51 mm	
Kartuş akü gerilimi.....	18 V	
Ağırlığı ise EPTA-üretici 01/2003'e göre.....	2,6 kg	

Gürültü/Vibrasyon bilgileri

Ölçüm değerleri EN 60 745 e göre belirlenmektedir.

Aletin A değerlendirilmeli gürültü seviyesi tipik olarak şu değerdedir:

Ses basıncı seviyesi (Tolerans K=3dB(A)) 75 dB (A)
Akustik kapasite seviyesi (Tolerans K=3dB(A)) 86 dB (A)

Koruyucu kulaklık kullanın!

Toplam titreşim değeri (üç yönün vektör toplamı) EN 60745'e göre belirlenmektedir:

titreşim emisyon değeri a_h < 2,5 m/s²
Tolerans K=..... 1,5 m/s²

UYARI

Bu talimatlarda belirtilen titreşim seviyesi, EN 60745 standardına uygun bir ölçme metodu ile ölçülmüştür ve elektrikli el aletleri birbirine karşılaştırmak için kullanılabilir. Ölçüm sonuçları ayrıca titreşim yükünün geçici değerlendirilmesi için de uygundur.

Belirlenen titreşim seviyesi, elektrikli el aletin genel uygulamaları için geçerlidir. Ancak elektrikli el aleti başka uygulamalar için, farklı eklenti parçalarıyla ya da yetersiz bakım koşullarında kullanılırsa, titreşim seviyesi farklılık gösterebilir. Bu durumda, titreşim yükü toplam çalışma zaman aralığı içerisinde belirlen ölçüde yükselebilir.

Titreşim yükünün tam bir değerlendirmesi için ayrıca cihazın kapalı olduğu süreler ve cihazın çalışır durumda olduğu, ancak gerçek kullanımda bulunmadığı süreler de dikkate alınmalıdır. Böylelikle, toplam çalışma zamanı aralığı boyunca meydana gelen titreşim yükü belirgin ölçüde azaltılabilir.

Kullanıcıyı titreşimlerin etkisinden korumak üzere, örneğin elektrikli el aletlerinin ve eklenti parçalarının bakımı, ellerin sıcak tutulması ve iş akışlarının organizasyonu gibi ek güvenlik tedbirleri belirleyiniz.

⚠ UYARI! Bütün güvenlik notlarını ve talimatları okuyunuz. Açıklanan uyarılara ve talimat hükümlerine uymadığı takdirde elektrik çarpmalarına, yangınlara ve/veya ağır yaralanmalara neden olunabilir. **Bütün uyarıları ve talimat hükümlerini ileride kullanmak üzere saklayın.**

⚠ DAİRE TESTERELERİ İÇİN GÜVENLİK UYARILARI

Testere kesim işlemi

⚠ TEHLİKE: Ellerinizi kesilen yere ve testere bıçağına yaklaştırmayın. İkinci elinizle ek tutamağı veya motor gövdesini tutun. Her iki elinizde daire testereyi tutarsa, testere bıçağı ellerinizi yaralayamaz.

İş parçasının altını kavramayın. Koruyucu kapak sizi iş parçası altında sizi testere bıçağından koruyamaz.

Kesme derinliğini iş parçasının kalınlığına göre ayarlayın. İş parçası altında tam diş uzunluğunun daha azı görünmelidir.

Kesilen iş parçasını hiçbir zaman elinizle tutmayın veya bacağına üzerine koymayın. İş parçasını sağlam bir zeminde emniyete alın. Bedenle teması önlemek, testere bıçağının sıkışması veya aletin kontrolünün kaybedilmesinin minimum düzeyde indirilmesi açısından iş parçasının iyice tespit edilip sıkılması önemlidir.

Kesme aletinin eğrilmiş elektrik kabloları isabet eden çalışmalar yapılırken cihazı izole edilmiş kollarından tutun. Elektrik akımı ileten kablolarla temas edilecek olursa metal alet elemanlarına da gerilim geçer ve bu da elektrik çarpmalarına neden olabilir.

Uzunlamasına kesme yaparken daima bir dayamak veya düz bir kenar kılavuzu kullanın. Bu, kesme hassasiyetini iyileştirir ve testere bıçağının sıkışma olasılığını azaltır.

Daima doğru büyüklükte ve biçimi bağlama flaşına uygun testere bıçakları kullanın (ağ şeklinde veya yuvarlak). Testerenin montaj parçalarına uymayan testere

bıçaklar, balanssız çalışır ve aletin kontrol dışına çıkma olasılığını artırır.

Hiçbir zaman hasarlı testere bıçağı alt besleme diski veya vida kullanmayın. Testere bıçağı alt besleme diski ve vidalar, işletme güvenliğini optimum düzeyde getirmek üzere özel olarak tasarlanmış ve üretilmiştir.

Ger i tepme kuvvetinin nedenleri ve buna karşı alınacak önlemler:

- Bir geri tepme kuvveti, takılan, sıkışan veya yanlış doğrultulan bir testere bıçağının beklenmedik reaksiyonudur. Bu durum, aletin kontrolden ve iş parçasından çıkarak kullanıcıya doğru hareket etmesine neden olabilir;

- Testere bıçağı kesilen hat içinde takılır veya sıkışır, bloke olur. Böyle bir durumda motor kuvveti aleti kullanıcıya doğru geri iter;

- Testere bıçağı kesme hattında açılanma yapar veya yanlış doğrultulursa, testere bıçağının arka tarafındaki dişler iş parçasının üst yüzeyine takılırlar ve bunun sonucunda da testere bıçağı kesme hattından dışarı çıkararak, geriye doğru kullanıcıya doğru sıçrama yapar.

Bir geri tepme kuvvet, testerenin yanlış veya hatalı kullanımı sonucu ortaya çıkar. Geri tepme kuvvetleri aşağıda açıklanan uygun önlemlerle önlenir.

Testereyi iki elinizle birlikte sıkıca tutun ve ellerinizi geri tepme kuvvetini karşılayabilecek konumda tutun. Daima testere bıçağının yan tarafında durun, hiçbir zaman testere bıçağı ile aynı hatta bulunmayın. Geri tepme halinde daire testere geri doğru sıçrar, ancak kullanıcı personel uygun önlemleri almışsa bu geri tepme kuvvetlerini tehlikesiz biçimde karşılayabilir.

Testere bıçağı sıkışır veya kesme işlemi başka herhangi bir nedenle kesilirse, açma/kapama şalterini bırakın ve testere bıçağı tam duruncaya kadar testereyi malzeme içinde sakınca tutun. Testere bıçağı hareket ettiği sürece ve geri tepme kuvveti kendini hissettirdiği

sürece hiçbir zaman testereyi iş parçasından dışarı çıkarmayı denemeyin veya geri çekmeyin. Testere bıçağının sıkışma nedenini bulun ve bunu uygun önlemlerle gidin.

İş parçası içinde bulunan bir testereyi tekrar çalıştırmak isterseniz, testere bıçağını kesme hattında içinde merkezeleyin ve testere dişlerinin iş parçasına takılı olup olmadığını kontrol edin. Testere bıçağı sıkışır (bloke olur) ve tekrar çalıştırılacak olursa iş parçasından dışarı çıkabilir veya bir geri tepme kuvvetine neden olabilir.

Testere bıçağının sıkışıp geri tepme tehlikesi yaratmaması için büyük boyutlu levhaları keserken güvenli bir biçimde destekleyin. Büyük boyutlu levhalar kendi ağırlıkları nedeniyle bükülebilir. Bu levhalar her iki yandan, hem kesme hattının yakınından hem de kenardan desteklenmelidir.

Körelmiş veya hasarlı testere bıçakları kullanmayın. Körelmiş veya yanlış doğrultulmuş testere bıçakları dar kesme hattında büyük bir sürtünme kuvvetinin oluşmasına, testere bıçağının sıkışmasına ve geri tepme kuvvetlerinin oluşmasına neden olurlar.

Kesme işlemine başlamadan önce kesme derinliği ve kesme hızı ayarlarını tam ve hassas biçimde ayarlayarak tespit edin. Kesme sırasında ayarlar değişecek olursa, testere bıçağı sıkışabilir ve geri tepme kuvveti oluşabilir.

İçini görmediğiniz bir yerde, örneğin bir duvarda "içten kesme" işlerinde özellikle dikkatli olun. Malzeme içine dalan testere bıçağı görünmeyen nesnelere nedeniyle bloke olabilir ve geri tepme kuvvetlerine neden olabilir.

Alt koruyucu kapağın fonksiyonu

Her kullanımdan önce alt koruyucu kapağın kusursuz çalışmasını kontrol edin. Alt koruyucu kapak serbestçe hareket etmiyorsa ve hemen kapanmıyorsa testereyi kullanmayın. Alt koruyucu kapağı açık konumda iken hiçbir zaman sıkmayın veya yapıştırmayın. Testere yanlışlıkla yere düşecek olursa, alt koruyucu kapak bükülebilir. Koruyucu kapağı geri çekme kolu ile açın ve serbest hareket edip etmediğini ve bütün kesme açısı ve kesme derinliklerinde ne testere bıçağına ne de diğer parçalara temas edip etmediğini kontrol edin.

Alt koruyucu kapağın yayını kontrol edin. Eğer alt koruyucu kapak ve yayı kusursuz olarak çalışmıyorsa aletinizi bakıma gönderin. Hasarlı parçalar, yapışkan birikintiler veya talaş birikimleri alt koruyucu kapağın gecikmeli olarak işlev görmesine neden olur.

Alt koruyucu kapağı elinizle sadece "Malzeme içine dalmalı veya açılı" kesme gibi özel durumlarda açın. Alt koruyucu kapağı geri çekme kolu ile açın ve testere bıçağı malzeme içine girince serbest bırakın. Bütün diğer kesme işlerinde alt koruyucu kapak otomatik olarak çalışmalıdır.

Alt koruyucu kapak testere bıçağını kapatmadığı sürece testereyi tezgaha veya yere bırakmayın. Korunmayan ve serbest dönüştüğü testere bıçağı testereyi kesme yönünün tersine hareket ettirir ve önüne gelen malzemeyi keser. Bu sırada testerenin serbest dönüş süresine dikkat edin.

EK GÜVENLİK VE ÇALIŞMA TALIMATLARI

Aletin kendinde bir çalışma yapmadan önce kartuş aküyü çıkarın.

Kullanılmış kartuş aküleri ateşe veya ev çöplerine atmayın. Milwaukee, kartuş akülerin çevreye zarar vermeyecek biçimde tasfiye edilmesine olanak sağlayan hizmet sunar; lütfen bu konuda yetkili satıcınızdan bilgi alın.

Kartuş aküleri metal parça veya eşyalarla birlikte saklamayın (kısa devre tehlikesi).

System C 18 sistemli kartuş aküleri sadece System C 18 sistemli şarj cihazları ile şarj edin. Başka sistemli aküleri şarj etmeyin.

Kartuş aküleri ve şarj cihazını açmayın ve sadece kuru yerlerde saklayın. Neme ve ıslanmaya karşı koruyun.

Tanımlanmış verileri bu kullanım kılavuzunda belirtilmemiş tertere bıçaklarını kullanmayın.

Koruyucu kulaklık kullanın. Çalışırken çıkan gürültü işitme kayıplarına neden olabilir.

Lütfen cihazların içinde taşıma levhaları (diskleri) monte ederek kullanmayın!

Şeffaf testere levha kapağı çatırsa veya kırılırsa derhal akredite olmuş bir atölye tarafından yenisi ile değiştirilecektir. Makine arızalı veya olmayan bir testere levha kapağı ile çalıştırılmaz.

KULLANIM

Bu metal testeresi metal profiller (UniStrut), borular, kuru yapı kalıpları, kablo kanalları, alüminyum profiller gibi çok çeşitli metal malzemede düz hatlı kesme işleri için geliştirilmiştir.

Bu alet sadece belirttiği gibi ve usulüne uygun olarak kullanılabilir.

CE UYGUNLUK BEYANI

Tek sorumlu olarak "Teknik Veriler" bölümünde tarif edilen ürünün 2011/65/EU (RoHS), 2014/30/EU, 2006/42/EC sayılı direktifin ve aşağıdaki harmonize temel belgelerin bütün önemli hükümlerine uygun olduğunu beyan etmekteyiz:

EN 60745-1:2009 + A1:2010
EN 60745-2-5:2010
EN 55014-1:2006 + A1:2009 + A2:2011
EN 55014-2:1997 + A1:2001 + A2:2008
EN 50581:2012

Winnenden, 2016-03-29


Alexander Krug
Managing Director



Teknik evrakları hazırlamakla görevlendirilmiştir.

Techtronic Industries GmbH
Max-Eyth-Straße 10
71364 Winnenden
Germany

AKÜ

Milwaukee C 18 Aküleri için yükleme cihazının kullanma talimatındaki özel açıklayıcı bilgileri dikkate alınız.

Uzun süre kullanım dışı kalmış kartuş aküleri kullanmadan önce şarj edin.

50°C üzerindeki sıcaklıklar kartuş akünün performansını düşürür. Akünün güneş ışığı veya mekân sıcaklığı altında uzun süre ısınmasına dikkat edin.

Şarj cihazı ve kartuş aküdeki bağlantı kontaklarını temiz tutun.

Akünün ömrünün mükemmel bir şekilde uzun olması için kullandıktan sonra tamamen doldurulması gerekir.

Ömrünün mümkün olduğu kadar uzun olması için akülerin yüklem yapıldıktan sonra doldurma cihazından uzaklaştırılması gerekir.

Akünün 30 günden daha fazla depolanması halinde: Aküyü takriben 27°C'de kuru olarak depolayın. Aküyü yüklem yapıldıktan sonra doldurma cihazından uzaklaştırılması gerekir.

Akünün 30 günden daha fazla depolanması halinde: Aküyü takriben 27°C'de kuru olarak depolayın. Aküyü yüklem yapıldıktan sonra doldurma cihazından uzaklaştırılması gerekir.

AKÜNÜN AŞIRI YÜKLENMEYE KARŞI KORUNMASI

Pek fazla elektrik tüketimi yapılmak suretiyle aküye fazla yüklenildiğinde, örneğin aşırı devir momentleri, matkap sıkıştırması, aniden durma veya kısa devre, elektrikli alet 2 saniye garip sesler çıkarır ve kendiliğinden durur. Aleti yeniden çalıştırmak için şalter baskı kolunu serbest bırakın ve bundan sonra tekrar çalıştırın. Aşırı yüklenme durumunda ise akü pek fazla ısınır. Bu durumda akü kendiliğinden durur. Aküyü tekrar doldurmak ve aktif hale getirmek amacı ile şarja bağlayın.

LITYUM İYON PİLLERİN TAŞINMASI

Lityum iyon piller tehlikeli madde taşımacılığı hakkındaki yasal hükümler tabidir.

Bu piller, bölgesel, ulusal ve uluslararası yönetmeliklere ve hükümlere uyularak taşınmak zorundadır.

- Tüketiciler bu pilleri herhangi bir özel şart aranmaksızın karayoluyla taşıyabilirler.
- Lityum iyon pillerin nakliye şirketleri tarafından ticari taşımacılığı için tehlikeli madde taşımacılığının hükümleri geçerlidir. Sevki hazırlığı ve taşıma sadece ilgili eğitimi görmüş personel tarafından gerçekleştirilebilir. Bütün süreç uzmanca bir refakatçilik altında gerçekleştirilmek zorundadır.

Pillerin taşınması sırasında aşağıdaki hususlara dikkat edilmesi gerekmektedir:

- Kısa devre oluşmasını önlemek için kontakların korunmuş ve izole edilmiş olması sağlanmalıdır.
- Pil paketinin ambalajı içinde kaymamasına dikkat ediniz.
- Hasarlı veya akmış pillerin taşınması yasaktır.

Ayrıca bilgiler için nakliye şirketinize başvurunuz.

ÇALIŞIRKEN DİKKAT EDİLECEK HUSUSLAR

Motor aşırı ölçüde zorlandığında makine otomatik olarak stop eder. Soğuma gerçekleştiikten sonra zorlanma düğmesine basarak makineyi tekrar çalıştırın. Aşırı zorlanma emniyeti tarafından makine sık sık stop ediyorsa kesme kuvvetini veya kesme derinliğini azaltın.

BAKIM

Testere bıçağını takmadan veya çıkarmadan önce aletin fişini güç kaynağından çektiğinizden emin olun.

Cihazı ve koruyucu tertibatı kuru bir bezle temizleyiniz. Bazı temizlik maddeleri plastik veya başka izole parçalara zarar verebilir. Cihazı temiz ve kuru tutunuz ve dışına taşan sıvı yağları ve gresleri temizleyiniz. Koruyucu kapakların fonksiyonunu kontrol ediniz. Düzenli aralıklarda yapılan bakım ve temizlik, uzun bir dayanma ömrü ve güvenli bir kullanım sağlar.

Sadece Milwaukee aksesuarı ve yedek parçası kullanın. Nasıl değiştirileceği açıklanmamış olan yapı parçalarını bir Milwaukee müşteri servisinde değiştirin (Garanti ve servis adresi broşürüne dikkat edin).

Gerektiğinde cihazın ayrıntılı çizimini, güç levhası üzerindeki makine modelini ve altı haneli rakamı belirterek müşteri servisinizden veya doğrudan Techtronic Industries GmbH, Max-Eyth-Straße 10, 71364 Winnenden, Germany adresinden isteyebilirsiniz.

SEMBOLLER



DİKKAT! UYARI! TEHLİKE!



Aletin kendinde bir çalışma yapmadan önce kartuş aküyü çıkarın.



Lütfen aleti çalıştırmadan önce kullanma kılavuzunu dikkatli biçimde okuyun.



Aletle çalışırken daima koruyucu gözlük kullanın.



Elektrikli cihazların evsel atıklarla birlikte bertaraf edilmesi yasaktır. Elektrikli ve elektronik cihazlar ayrılarak biriktirilmeli ve çevreye zarar vermeden bertaraf edilmeleri için bir atık değerlendirme tesisine götürülmelidir. Yerel makamlara veya satıcınıza geri dönüşüm tesisleri ve atık toplama merkezlerinin yerlerini danışınız.



CE işareti



Ulusal uygunluk işareti Ukrayna



EurAsian Uyumluluk işareti

TECHNICKÁ DATA

PILA NA KOV

HD 18 MS

Výrobní číslo.....	4312 58 02... ...000001-999999
Počet otáček při běhu naprázdno	3600 min ⁻¹
Pilový kotouč ø x díra ø	135 x 20 mm
Max. řezný výkon do ocelového plechu	1,6 mm
trubky	ø 50 mm
profily	51 mm
Napětí výměnného akumulátoru	18 V
Hmotnost podle prováděcího předpisu EPTA 01/2003	2,6 kg

Informace o hluku / vibracích

Naměřené hodnoty odpovídají EN 60 745.

Typická vážená

Hladina akustického tlaku (Kolísavost K=3dB(A))..... 75 dB (A)

Hladina akustického výkonu (Kolísavost K=3dB(A))..... 86 dB (A)

Používejte chrániče sluchu !

Celkové hodnoty vibrací (vektorový součet tří směrů) zjištěné ve smyslu EN 60745.

Hodnota vibračních emisí a_h..... < 2,5 m/s²

Kolísavost K=..... 1,5 m/s²

VAROVÁN

Úroveň chvění uvedená v tomto návodu byla naměřena podle metody měření stanovené normou EN 60745 a může být použita pro porovnání elektrického nářadí. Hodí se také pro průběžný odhad zatížení chvěním.

Uvedená úroveň chvění představuje hlavní účely použití elektrického nářadí. Jestliže se ale elektrické nářadí používá pro jiné účely, s odlišnými nástroji nebo s nedostatečnou údržbou, může se úroveň chvění odlišovat. To může značně zvýšit zatížení chvěním během celé pracovní doby.

Pro přesný odhad zatížení chvěním se musí také zohlednit časy, během kterých je přístroj vypnutý nebo kdy je sice v chodu, ale skutečně se s ním nepracuje. To může zatížení chvěním během celé pracovní doby značně snížit.

Stanovte doplňková bezpečnostní opatření pro ochranu obsluhy před účinky chvění jako například: technická údržba elektrického nářadí a nástrojů, udržování teploty rukou, organizace pracovních procesů.

⚠ UPOZORNĚNÍ! Přečtěte si všechny bezpečnostní pokyny a návody. Zanedbání při dodržování varovných upozornění a pokynů mohou mít za následek úder elektrickým proudem, požár a/nebo těžká poranění. **Všechna varovná upozornění a pokyny do budoucna uschovejte.**

⚠ BEZPEČNOSTNÍ POKYNY PRO KOTOUČOVÉ PILY

Postup řezání pilou

⚠ NEBEZPEČÍ: Mějte své ruce mimo oblast řezání a mimo pilový kotouč. Se svou druhou rukou držte přidavné držadlo nebo motorovou skříň. Pokud obě ruce drží kotoučovou pilu, nemůže je pilový kotouč poranit.

Nesahejte pod obrobek. Ochranný kryt Vás pod obrobkem nemůže chránit před pilovým kotoučem.

Přizpůsobte hloubku řezu tloušťce obrobku. Pod obrobkem by měla být viditelná méně než celá výška zubu.

Řezání obrobek nikdy nedržte v ruce nebo přes nohu. Obrobek zajistěte na stabilní podložce. Je důležité obrobek dobře upevnit, aby byl minimalizován kontakt s tělem, přičinění pilového kotouče nebo ztráta kontroly.

Při provádění prací, při kterých nástroj může narazit na skryta elektrická vedení, držte přístroj za izolované přidržovací plošky. Kontakt s vedením pod napětím přivádí napětí i na kovové díly stroje a vede k elektrickému úderu.

Při podélných řezech používejte vždy vodítko nebo přímé vedení podél hrany. To zlepšuje přesnost řezu a snižuje možnost, že se pilový kotouč vzpříčí.

Používejte vždy pilové kotouče ve správné velikosti a s vhodným upínacím otvorem (např. v hvězdicovém tvaru nebo kruhový). Pilové kotouče, jež se nehodí k montážním dílům pily, běží nekruhově a vedou ke ztrátě kontroly.

Nikdy nepoužívejte poškozené nebo špatné podložky nebo šrouby kotouče. Podložky a šrouby pilových kotoučů

byly zkonstruovány speciálně pro Vaši pilu, pro optimální výkon a provozní bezpečnost.

Příčiny a vyvarování se zpětného rázu:

- zpětný ráz je náhlá reakce v důsledku zaseknutí, vzpříčení nebo špatného vyrovnání pilového kotouče, která vede k tomu, že se pila nekontrolovatelně nadzdvihne z obrobku a pohybuje se ve směru obsluhující osoby;

- když se pilový kotouč zasekne nebo vzpříčí do svírací se řezané mezer, zablokuje se a síla motoru udeří strojem zpět ve směru obsluhující osoby;

- pokud se pilový kotouč v řezu stočí nebo je špatně vyrovnán, mohou se zuby zadní hrany pilového kotouče zaseknout do povrchu obrobku, čímž se pilový kotouč nadzvedne z řezané mezery a pila vyskočí zpět ve směru obsluhující osoby.

Zpětný ráz je důsledkem špatného nebo chybného použití pily. Lze mu vhodnými preventivními opatřeními, jak je následovně popsáno, zabránit.

Pilu držte pevně oběma rukama a paže dejte do takové polohy, ve které můžete čelit síle zpětného rázu. Držte se vždy stranou pilového kotouče, nedávejte pilový kotouč do jedné přímky s Vaším tělem. Při zpětném rázu může kotoučová pila skočit vzad, ale obsluhující osoba může síly zpětného rázu překonat, pokud byla učiněna vhodná opatření.

Jestliže se pilový kotouč vzpříčí nebo je-li řezání přerušeno z jiného důvodu, uvolněte spínač a pilu držte klidně v materiálu, až se pilový kotouč zcela zastaví. Nikdy se nepokoušejte odstranit pilu z obrobku nebo ji stáhnout zpět, dokud se pilový kotouč pohybuje nebo by mohl nastat zpětný ráz. Najděte příčinu vzpříčení pilového kotouče a odstraňte ji vhodnými opatřeními.

Pokud chcete pilu, která je vsazena do obrobku, znovu zapnout, vystředte pilový kotouč v řezané mezeře a zkontrolujte, zda nejsou pilové zuby zaseknuty v obrobku. Je-li pilový kotouč vzpříčen, může se, pokud se

pila znovu zapne, pohnout ven z obrobku nebo způsobit zpětný ráz.

Velké desky podepřete, aby jste zabránili riziku zpětného rázu sveržením pilového kotouče. Velké desky se mohou vlastní vahou prohnut. Desky musí být podepřeny jak na obou stranách, tak i v blízkosti řezané mezery na kraji.

Nepoužívejte žádné tupé nebo poškozené pilové kotouče. Pilové kotouče s tupými nebo špatně vyrovnanými zuby způsobí díky úzké pilové mezeře zvýšené tření, svírání pilového kotouče a zpětný ráz.

Před řezáním utáhněte nastavení hloubky a úhlu řezu. Pokud se během řezání změní nastavení, může se pilový kotouč vzpříčit a nastat zpětný ráz.

Buďte obzvlášť opatrní, pokud provádíte "zanořovací řez" do skrytých prostorů, např. stávající stěna. Zanořující se pilový kotouč se může při řezání zablokovat ve skrytých objektech a způsobit zpětný ráz.

Funkce spodního ochranného krytu

Před každým použitím zkontrolujte, zda se spodní ochranný kryt bezvadně uzavírá. Pilu nepoužívejte, pokud se spodní ochranný kryt nepohybuje volně a neuzavře-li se okamžitě. Spodní ochranný kryt nikdy neupevňujte nebo nepřivazujte napevno v otevřené poloze. Pokud pila neúmyslně upadne na podlahu, může se spodní ochranný kryt zprohýbat. Otevřete ochranný kryt pomocí páčky pro zpětné vytažení a zajistěte, aby se volně pohyboval a nedotýkal se pilového kotouče ani jiných dílů při všech řezných úhlech a hloubkách.

Zkontrolujte funkci pružiny pro spodní ochranný kryt. Nechte stroj před použitím zkontrolovat, pokud spodní ochranný kryt a pružina nepracují bezvadně. Poškozené díly, lepkavé usazeniny nebo nahromadění třísek brzdí spodní ochranný kryt při práci.

Rukou otevřete spodní ochranný kryt pouze u výjimečných řezů, jako jsou "zanořovací řezy a řezy pod úhlem". Otevřete spodní ochranný kryt pomocí páčky pro zpětné vytažení a uvolněte jej, jakmile pilový kotouč vnikl do obrobku. U všech ostatních řezacích prací musí spodní ochranný kryt pracovat automaticky.

Pilu neodkládejte na pracovní stůl nebo podlahu bez toho, aby spodní ochranný kryt zakrýval pilový kotouč. Nechráněný, dobíhající pilový kotouč pohybuje pilou proti směru řezání a řeže vše co mu stojí v cestě. Respektujte při tom dobu doběhu pily.

DALŠÍ BEZPEČNOSTNÍ A PRAČOVNÍ POKYNY

Před zahájením veškerých prací na vrtacím šroubováku vyjmout výměnný akumulátor.

Použití nevyhazujte do domovního odpadu nebo do ohně. Milwaukee nabízí ekologickou likvidaci starých článků, ptejte se u vašeho obchodníka s nářadím.

Náhradní akumulátor neskladujte s kovovými předměty, nebezpečí zkratu.

Akumulátor systému C 18 nabíjejte pouze nabíječkou systému C 18. Nenabíjejte akumulátory jiných systémů.

Náhradní akumulátory ani nabíječku neotvírejte, skladujte je v suchu, chraňte před vlhkem.

Pilové kotouče, které neodpovídají požadavkům podle tohoto návodu se nesmí používat.

Používejte chrániče sluchu. Působením hluku může dojít k poškození sluchu.

Nepoužívejte prosím s brusnými kotouči!

Utržený nebo zlomený průhledný ochranný kryt pilového listu neprodleně nechejte vyměnit v odborném servisu. Stroj se nesmí provozovat s defektním nebo chybějícím krytem pilového listu.

OBLAST VYUŽITÍ

Pila na kov je vhodná k přímému řezání v různých kovových materiálech jako např. kovové přírůbky, trubky, kabelové kanály, alu-profil, plechy atd.

Toto zařízení lze používat jen pro uvedený účel.

CE-PROHLÁŠENÍ O SHODĚ

Výhradně na vlastní zodpovědnost prohlašujeme, že se výrobek popsaný v "Technických údajích" shoduje se všemi relevantními předpisy směrnice 2011/65/EU (RoHS), 2014/30/ES, 2006/42/ES a s následujícími harmonizovanými normativními dokumenty:

EN 60745-1:2009 + A11:2010
EN 60745-2-5:2010
EN 55014-1:2006 + A1:2009 + A2:2011
EN 55014-2:1997 + A1:2001 + A2:2008
EN 50581:2012

Winnenden, 2016-03-29

Alexander Krug
Managing Director



Zplnomocněn k sestavování technických podkladů.

Techtronic Industries GmbH
Max-Eyth-Straße 10
71364 Winnenden
Germany

AKUMULÁTORY

Dbejte pokynů uvedených v návodu k obsluze nabíječky akumulátorů C 18 firmy Milwaukee.

Děle nepoužívané akumulátory je nutné před použitím znovu nabít.

Teplota přes 50°C snižuje výkon akumulátoru. Chraňte před dlouhým přehříváním na slunci či u topení.

Kontakty nabíječky a akumulátoru udržujte v čistotě.

Optimální životnost akumulátorů se zajistí, když se po použití vždy plně nabijí.

K zabezpečení dlouhé životnosti by se akumulátory měly po nabití vyjmout z nabíječky.

Při skladování akumulátoru po dobu delší než 30 dní: Skladujte akumulátor v suchu při cca 27°C. Skladujte akumulátor při cca 30%-50% nabíjecí kapacity. Opakujte nabíjení akumulátoru každých 6 měsíců.

OCHRANA PROTI PŘETÍŽENÍ AKUMULÁTORU

Při přetížení akumulátoru příliš vysokým odběrem proudu, například při extrémně vysokých točivých momentech, při blokování vrtáku, náhlém zastavení nebo zkratu, začne vrtáčka na 2 sekundy bruchet a poté se samočinně vypne. K opětovnému zapnutí uvolněte spínací tlačítko a poté jej opět zapněte.

Při extrémním zatížení se akumulátor může silně zahřát. Dojde-li k tomu, akumulátor se vypne. Akumulátor v tomto případě k dobíti a aktivaci vložte opět do nabíječky.

PŘEPRAVA LITHIUM-IONTOVÝCH BATERIÍ

Lithium-iontové baterie spadají podle zákonných ustanovení pod přepravu nebezpečného nákladu.

Přeprava těchto baterií se musí realizovat s dodržováním lokálních, vnitrostátních a mezinárodních předpisů a ustanovení.

- Spotřebitelé mohou tyto baterie bez problémů přepravovat po komunikacích.
- Komerční přeprava lithium-iontových baterií prostřednictvím přepravních firem podléhá ustanovením o přepravě nebezpečného nákladu. Přípravu k

vyexpedování a samotnou přepravu smíjí vykonávat jen příslušně vyškolené osoby. Na celý proces se musí odborně dohlížet.

Při přepravě baterií je třeba dodržovat následující:

- Zajistěte, aby kontakty byly chráněné a izolované, aby se zamezilo zkratům.
- Dávejte pozor na to, aby se svazek baterií v rámci balení nemohl sesmeknout.
- Poškozené a vyteklé baterie se nesmíjí přepravovat.

Ohledně dalších informací se obraťte na vaši přepravní firmu.

PRAČOVNÍ UPOZORNĚNÍ

Při přetížení motoru se motor automaticky vypne. Po ochlazení stiskněte tlačítko přetížení a motor opět zapněte. Při častějším odpojování v důsledku přetížení snižte tlak při roušení nebo hloubku řezu.

ÚDRŽBA

Ujistěte se, že jste pilu odpojili od zdroje napájení před montáží a demontáží pilového kotouče.

Přístroj a ochranný kryt čistěte suchým hadříkem. Některé čisticí prostředky poškozují plast nebo jiné izolované části. Přístroj udržujte čistý, suchý a očištěný od vyteklého oleje a maziva. Zkontrolujte funkčnost ochranných krytů. Pravidelná údržba a čistění zajistí dlouhou životnost a bezpečnou manipulaci.

Používat výhradně příslušenství Milwaukee a náhradní díly Milwaukee. Díly jejichž výměny nebyla popsána, nechte vyměnit v autorizovaném servisu (viz. Záruky / Seznam servisních míst)

V případě potřeby si můžete v servisním centru pro zákazníky nebo přímo od firmy Techtronic Industries GmbH, Max-Eyth-Straße 10, 71364 Winnenden, Německo vyžádat schematický nářes jednotlivých dílů přístroje, když uvedete typ přístroje a šestimístné číslo na výkonovém štítku.

SYMBOLY



POZOR! VAROVÁNÍ! NEBEZPEČÍ!



Před zahájením veškerých prací na vrtacím šroubováku vyjmout výměnný akumulátor.



Před spuštěním stroje si pečlivě pročtěte návod k používání.



Při práci se strojem neustále nosit ochranné brýle.



Elektrické přístroje se nesmí likvidovat společně s odpadem z domácností. Elektrické a elektronické přístroje je třeba sbírat odděleně a odevzdat je v recyklačním podniku na ekologickou likvidaci. Na místních úřadech nebo u vašeho specializovaného prodejce se informujte na recyklační podniky a sběrné dvory.



Značka CE



Národní znak shody Ukrajiny



Euroasijská značka shody

TECHNICKÉ ÚDAJE	PÍLA NA KOV	HD 18 MS
Výrobné číslo.....	4312 58 02...	...000001-999999
Otáčky naprázdno.....	3600 min ⁻¹	
Priemer pilového listu x priemer diery.....	135 x 20 mm	
Max. rezný výkon		
do oceľového plechu	1,6 mm	
rúrky	ø 50 mm	
profily	51 mm	
Napätie výmenného akumulátora.....	18 V	
Hmotnosť podľa vykonávacieho predpisu EPTA 01/2003	2,6 kg	

Informácia o hluku / vibráciách

Namerané hodnoty určené v súlade s EN 60 745.
A-ohodnotená hladina akustického tlaku prístroja činí
Hladina akustického tlaku (Kolísavosť K=3dB(A))..... 75 dB (A)
Hladina akustického výkonu (Kolísavosť K=3dB(A))..... 86 dB (A)

Používajte ochranu sluchu!

Celkové hodnoty vibrácií (vektorový súčet troch smerov) zistené v zmysle EN 60745.
Hodnota vibračných emisií a_h < 2,5 m/s²
Kolísavosť K= 1,5 m/s²

POZOR

Úroveň vibrácií uvedená v týchto pokynoch bola nameraná meracou metódou, ktorú stanovuje norma EN 60745 a je možné ju použiť na vzájomné porovnanie elektrického náradia. Hodí sa aj na predbežné posúdenie kmitavého namáhania.

Uvedená úroveň vibrácií reprezentuje hlavné aplikácie elektrického náradia. Ak sa však elektrické náradie používa pre iné aplikácie, s odlišnými vložnými nástrojmi alebo s nedostatočnou údržbou, môže sa úroveň vibrácií líšiť. Toto môže kmitavé namáhanie v priebehu celej pracovnej doby podstatne zvýšiť.

Pre presný odhad kmitavého namáhania by sa mali tiež zohľadniť doby, v ktorých je náradie vypnuté alebo je síce v chode, ale v skutočnosti sa nepoužíva. Toto môže kmitavé namáhanie v priebehu celej pracovnej doby zreteľne redukovat'.

Stanovte dodatočné bezpečnostné opatrenia pre ochranu obsluhy pred účinkami vibrácií, ako napríklad: údržba elektrického náradia a vložných nástrojov, udržiavanie teploty rúk, organizácia pracovných postupov.

⚠ UPOZORNENIE! Prečítajte si všetky bezpečnostné pokyny a návody. Zanedbanie dodržiavania Výstražných upozornení a pokynov uvedených v nasledujúcom texte môže mať za následok zásah elektrickým prúdom, spôsobiť požiar a/alebo ťažké poranenie.

Tieto Výstražné upozornenia a bezpečnostné pokyny starostlivo uschovajte na budúce použitie.

⚠ BEZPEČNOSTNÉ POKYNY PRE KOTUČOVÉ PÍLY

Proces pílenia

NEBEZPEČENSTVO: Nedávajte ruky do pracovného priestoru píly ani k pilovému listu. Druhou rukou držte prídavnú rukoväť alebo teleso motora. Ak kotučovú pílu držia obe ruky, pilový list ich nemôže poraniť.

Nesiahajte pod obrobok. Ochranný kryt vás pod obrobkom nemôže ochraňovať pred pilovým listom.

Hrúbku rezu prispôbte hrúbke obrobka. Pod obrobkom by malo byť vidieť menej pilového listu ako plnú výšku zuba píly.

Nikdy nedržte pri rezaní obrobok v ruke ani ho nepridržiavajte nad nohou. Zabezpečte obrobok na stabilnom podklade. Je dôležité, aby bol obrobok dobre upevnený, aby sa na minimum zmenšilo nebezpečenstvo kontaktu s telom, zablokovania pilového listu alebo straty kontroly.

Pri realizovaní prác, pri ktorých nástroj môže naraziť na skryté elektrické vedenia, držte prístroj za izolované pridrôvacie plošky. Kontakt s vedením, ktoré je pod napätím, spôsobí, že aj kovové súčiastky náradia sa dostanú pod napätie, čo má za následok zásah elektrickým prúdom.

Pri pozdĺžnom rezaní vždy používajte doraz, alebo vedte náradie pozdĺž rovnej hrany. To zlepšuje presnosť rezu a znižuje možnosť zablokovania pilového listu.

Používajte vždy pilové listy správnej veľkosti a s vhodným upínacím otvorom (napríklad hviezdicovým alebo okrúhlym). Pilové listy, ktoré sa nehodia k montážnym súčiastkam píly, nebežia celkom rotačne a spôsobia stratu kontroly obsluhy na náradí.

Nikdy nepoužívajte poškodené podložky alebo nesprávne upevňovacie skrutky pilových listov. Podložky a upevňovacie skrutky pilových listov boli skonštruované špeciálne pre túto pílu, aby dosahovala optimálny výkon a mala optimálnu bezpečnosť prevádzky.

Dôvody spätných rázov a predchádzanie spätným rázom:

- spätný ráz je náhlou reakciou zablokovaného, vzprieneného alebo nesprávne nastaveného pilového listu, ktorý má za následok nekontrolované zdvihnutie píly a jej pohyb od obrobku smerom k obsluhujúcej osobe;

- keď sa pilový list zasekne alebo vzpriechi v uzavierajúcej sa štrbine rezu, zablokuje sa a sila motora vyhodí náradie smerom na obsluhujúcu osobu;

- keď je pilový list v reze natočený alebo nesprávne nastavený, môžu sa zuby zadnej hrany pilového listu zahryznúť do povrchovej plochy obrobku, čím sa pilový list vysunie z rezacej štrbiny a píla poskočí smerom k obsluhujúcej osobe.

Spätný ráz je následkom nesprávneho a chybného používania píly. Vhodnými preventívnymi opatrenia, ktoré popisujeme v nasledujúcom texte, mu možno zabrániť.

Držte pílu dobre oboma rukami a majte paže v takej polohe, v ktorej budete vedieť prípadnú silu spätného rázu zvládnuť. Vždy stojte v bočnej polohe k rovine pilového listu, nikdy nedávajte pilový list do jednej línie so svojím telom. Pri spätnom ráze môže píla skočiť smerom dozadu, avšak keď sa urobia potrebné opatrenia, môže obsluhujúca osoba silu spätného rázu zvládnuť.

Ak sa pilový list zablokuje alebo ak sa pílenie preruší z iného dôvodu, uvoľnite vypínač a držte pílu v materiáli

obrobku dovtedy, kým sa pilový list celkom zastaví. Nikdy sa nepokúšajte vyberať pílu z obrobku alebo ju ťahať smerom dozadu, kým sa pilový list pohybuje alebo kým môže vzniknúť spätný ráz. Nájdiť príčinu zablokovania pilového listu a pomocou vhodných opatrení ju odstráňte.

Keď chcete znova spustiť pílu, ktorá je v obrobku, vycentrujte pilový list v štrbine rezu a skontrolujte, či nie sú zuby píly zaseknuté v materiáli obrobku. Keď je pilový list zablokovaný, nedá sa v obrobku pohnúť, alebo môže spôsobiť spätný ráz, ak by sa píla znova spustila.

Veľké platne pri pílení podoprite, aby ste znížili riziko spätného rázu zablokovaním pilového listu. Veľké platne sa môžu následkom vlastnej hmotnosti prehnúť. Platne treba podpiepať na oboch stranách, aj v blízkosti štrbiny rezu aj na kraji.

Nepožívajte tupé ani poškodené pilové listy. Pilové listy s otupenými zubami alebo s nesprávne nastavenými zubami vytvárajú príliš úzku štrbinu rezu a tým spôsobujú zvýšené trenie, blokovanie pilového listu alebo vyvolanie spätného

Pred pílením dobre utiahnite nastavenia hĺbky rezu a uhla rezu. Keď sa počas pílenia nastavenie zmení, môže sa pilový list zablokovať a spôsobiť spätný ráz náradia.

Osobitne opatrný buďte pri používaní rezania "zapichovaním" (zanorovaním) do skrytého priestoru, napríklad do existujúcej steny. Zapichovaný pilový list môžu pri pílení zablokovať rôzne skryté objekty, čo môže spôsobiť spätný ráz.

Funkcia spodného ochranného krytu

Pred každým použitím náradia skontrolujte, či bezchybne pracuje spodný ochranný kryt. Nepoužívajte kotučovú pílu, keď sa dolný ochranný kryt nedá voľne pohybovať a keď okamžite automaticky neuzatvára. Nikdy nezabokujte a neprivádzajte dolný ochranný kryt v otvorenej polohe. Ak vám píla neúmyselne spadla na zem, mohol by sa dolný ochranný kryt skriviť. Pomocou vratnej páčky otvorte ochranný kryt a zabezpečte, aby sa voľne pohyboval a pri žiadnom z nastavitelných uhlov rezu a žiadnej z nastavitelných hĺbok rezu sa nedotýkal ani pilového listu ani ostatných súčiastok náradia.

Skontrolujte činnosť pružiny dolného ochranného krytu. Dajte vykonať na náradi pred jeho použitím opravu, ak dolný ochranný kryt a pružina nepracujú bezchybne. Poškodené súčiastky, lepkavé usadeniny alebo nakopania triesok spôsobujú, že dolný ochranný kryt pracuje spomalene.

Otvorte dolný ochranný kryt rukou len pri špeciálnych rezoch, ako sú "rezanie zapichnutím" a "rezanie šikmých rezov". Dolný ochranný kryt otvárajte pomocou vratnej páčky a len čo pilový list vnikol do obrábaného materiálu, páčku pustite. Pri všetkých ostatných prácach musí pracovať dolný ochranný kryt automaticky.

Nikdy nekladte pílu na pracovný stôl ani na podlahu bez toho, aby bol pilový list krytý dolným ochranným krytom. Nechránený dobiehajúci pilový list spôsobí pohyb píly proti smeru rezu a reže všetko, čo mu stojí v ceste. Všímajte si dobu dobehu pilového listu.

ĎALŠIE BEZPEČNOSTNÉ A PRACOVNÉ POKYNY

Pred každou prácou na stroji výmenný akumulátor vyťiahnuť.

Opotrebované výmenné akumulátory nezahadzujte do ohňa alebo medzi domový odpad. Milwaukee ponúka likvidáciu starých výmenných akumulátorov, ktorá je v súlade s ochranou životného prostredia; informujte sa u Vášho predajcu.

Výmenné akumulátory neskladovať spolu s kovovými predmetmi (nebezpečenstvo skratu).

Výmenné akumulátory systému C 18 nabíjať len nabíjacími zariadeniami systému C 18 . Akumulátory iných systémov týmto zariadením nenabíjať .

Výmenné akumulátory a nabíjacie zariadenia neotvárať a skladovať len v suchých priestoroch. Chrániť pred vlhkosťou.

Pilové listy, ktoré nezodpovedajú charakteristikám uvedeným v návode na použitie, nesmú sa použiť.

Používajte ochranu sluchu. Pôsobenie hluku môže spôsobiť stratu sluchu.

Nepoužívajte prosím s brusnými kotúčmi!

Natrhnúty alebo zlomený priehľadný ochranný kryt pilového listu nechajte ihneď vymeniť v odbornom servise. Stroj sa nesmie používať s vadným alebo chýbajúcim krytom pilového listu.

POUŽITIE PODĽA PREDPISOV

Píla na kov je určená na robenie priamych rezov do rozličných druhov kovov ako napr. kovových profilov (Uni Strut), rúr, výstuh sádkokatónových stien, kábových kanálov, hliníkových profilov, plechov, a.i.

Tento prístroj sa smie používať len v súlade s uvedenými predpismi.

CE - VYHLÁSENIE KONFORMITY

Výhradne na vlastnú zodpovednosť vyhlasujeme, že výrobok popísaný v "Technických údajoch" sa zhoduje so všetkými relevantnými predpismi smernice 2011/65/EU (RoHS), 2014/30/EU, 2006/42/EC a nasledujúcimi harmonizujúcimi normatívnymi dokumentmi:

EN 60745-1:2009 + A1:2010
EN 60745-2-5:2010
EN 55014-1:2006 + A1:2009 + A2:2011
EN 55014-2:1997 + A1:2001 + A2:2008
EN 50581:2012

Winnenden, 2016-03-29



Alexander Krug
Managing Director



Spĺnomocnený zostaviť technické podklady.

Techtronic Industries GmbH
Max-Eyth-Straße 10
71364 Winnenden
Germany

AKUMULÁTORY

Dbajte na pokyny uvedené v návode k obsluhu nabíjačky akumulátorov C 18 firmy Milwaukee.

Dlhší čas nepoužívané výmenné akumulátory pred použitím dobiť.

Teplota vyššia ako 50°C znižuje výkon výmenného akumulátora. Zabráňte dlhšiemu ohriatiu slnkom alebo kúrením.

Pripájacie kontakty na nabíjacom zariadení a výmennom akumulátore udržiavať čisté.

K zachovaniu optimálnej životnosti se baterie musejí po použití vždy úplne dobiť.

K zabezpečeniu dlhej životnosti by sa akumulátory mali po nabití vybrať z nabíjačky.

Pri skladovaní akumulátora po dobu dlhšiu než 30 dní: Skladujte akumulátor v suchu pri cca 27°C. Skladujte akumulátor pri cca 30%-50% nabíjacej kapacite. Opakujte nabíjanie akumulátora každých 6 mesiacov.

OCHRANA PROTI PREŤAŽENIU AKUMULÁTORA

Pri preťažení akumulátora príliš vysokým odberom prúdu, napríklad pri extrémne vysokých točivých momentoch, pri blokovani vrtáka, náhlom zastavení alebo skrate, začne vrtáčka na 2 sekundy hučať a potom sa samočinne vypne. K opätovnému zapnutiu uvoľníte spínacie tlačidlo a potom ho opäť zapnete. Pri extrémnom zaťažení sa akumulátor môže silne zahriať. Ak k tomu dôjde, akumulátor sa vypne. Akumulátor v tomto prípade k dobitiu a aktivácii vložte opäť do nabíjačky.

PREPRAVA LÍTIOVO-IÓNOVÝCH BATÉRIÍ

Lítiovo-iónové batérie podľa zákonných ustanovení spadajú pod prepravu nebezpečného nákladu.

Preprava týchto batérií sa musí realizovať s dodržiavaním lokálnych, vnútroštátnych a medzinárodných predpisov a ustanovení.

- Spotrebitelia môžu tieto batérie bez problémov prepravovať po cestách.
- Komerčná preprava lítiovo-iónových batérií prostredníctvom špeciálnych firmiem podľa ustanovení o preprave nebezpečného nákladu. Prípravu k vyexpedovaniu a samotnú prepravu smú vykonávať iba adekvátne vyškolené osoby. Na celý proces sa musí odborné dohliadať.

Pri preprave batérií treba dodržiavať nasledovné:

- Zabezpečte, aby boli kontakty chránené a izolované, aby sa zamedzilo skratom.
- Dávajte pozor na to, aby sa zvážok batérií v rámci balenia nemožol zošmyknúť.
- Poškodené a vytečené batérie sa nesmú prepravovať.

Kvôli ďalším informáciám sa obráťte na vašu špeciálnu firmu.

POKYNY KU PRÁCI

Pri preťažení motora sa stroj automaticky vypne. Po vychladnutí tlačítko preťaženia opäť zatlačíte a stroj znovu spustíte. Pri častom vypínaní ochranou pred preťažením zredukujete rezný tlak alebo hĺbku rezu.

ÚDRŽBA

Vždy odpojte nástroj od elektrickej siete pred montážou alebo demontážou ostria píly.

Prístroj a ochranné zariadenie čistite suchou handričkou. Niektoré čistiace prostriedky poškodzujú plast alebo iné izolované časti. Prístroj udržiavajte čistý a suchý, ako aj bez uniknutého oleja a maziva. Skontrolujte funkčnosť ochranných krytov. Pravidelná údržba a čistenie sa postará o dlhú životnosť a bezpečnú manipuláciu.

Používať len Milwaukee príslušenstvo a Milwaukee náhradné diely. Súčiastky bez návodu na výmenu treba dat vymeniť v jednom z Milwaukee zákaznických centier (viď brožúru Záruka/Adresy zákaznických centier).

V prípade potreby si môžete v servisnom centre pre zákazníkov alebo priamo od firmy Techtronic Industries GmbH, Max-Eyth-Straße 10, 71364 Winnenden, Nemecko, vyžiadať schematický náčrt jednotlivých dielov prístroja pri uvedení typu prístroja a šesťmiestneho čísla na výkonovom štítku.

SYMBOLY



POZOR! NEBEZPEČENSTVO!



Pred každou prácou na stroji výmenný akumulátor vytiahnuť.



Pred prvým použitím prístroja si pozorne prečítajte návod na obsluhu.



Pri práci so strojom vždy noste ochranné okuliare.



Elektrické prístroje sa nesmú likvidovať spolu s odpadom z domácností. Elektrické a elektronické prístroje treba zbierať oddelene a odovzdať ich v recyklačnom podniku na ekologickú likvidáciu. Na miestnych úradoch alebo u vášho špecializovaného predajcu sa spýtajte na recyklačné podniky a zberné dvory.



Značka CE



Národný znak zhody Ukrajiny



Euroázijská značka zhody

DANETECHNICZNE

PIŁA DO METALU

HD 18 MS

Numer produkcyjny.....	4312 58 02... ...000001-999999
Prędkość bez obciążenia.....	3600 min ⁻¹
Średnica ostrza piły x średnica otworu.....	135 x 20 mm
Maksymalna wydajność cięcia	
Blacha stalowa.....	1,6 mm
Rury.....	∅ 50 mm
Profil.....	51 mm
Napięcie baterii akumulatorowej.....	18 V
Ciężar wg procedury EPTA 01/2003.....	2,6 kg

Informacja dotycząca szumów/wibracji

Zmierzone wartości wyznaczono zgodnie z normą EN 60 745.

Typowy poziom ciśnienia akustycznego mierzony wg krzywej A:

Poziom ciśnienia akustycznego (Niepewność K=3dB(A))..... 75 dB (A)

Poziom mocy akustycznej (Niepewność K=3dB(A))..... 86 dB (A)

Należy używać ochroniaczy uszu!

Wartości łączne drgań (suma wektorowa trzech kierunków)

wyznaczone zgodnie z normą EN 60745

Wartość emisji drgań a_h..... < 2,5 m/s²

Niepewność K=..... 1,5 m/s²

OSTRZEŻENIE

Podany w niniejszych instrukcjach poziom drgań został zmierzony za pomocą metody pomiarowej zgodnej z normą EN 60745 i może być użyty do porównania ze sobą elektronarzędzi. Nadaje się on również do tymczasowej oceny obciążenia wibracyjnego.

Podany poziom drgań reprezentuje główne zastosowania elektronarzędzia. Jeśli jednakże elektronarzędzie użyte zostanie do innych celów z innymi narzędziami roboczymi lub nie jest dostatecznie konserwowane, wtedy poziom drgań może wykazywać odchylenia. Może to wyraźnie zwiększyć obciążenie wibracjami przez cały okres pracy.

Dla dokładnego określenia obciążenia wibracjami należy uwzględnić również czasy, w których urządzenie jest wyłączone względnie jest włączone, lecz w rzeczywistości nie pracuje. Może to spowodować wyraźną redukcję obciążenia wibracyjnego w całym okresie pracy.

Należy wprowadzić dodatkowe środki zapobiegawcze celem ochrony obsługującego przed oddziaływaniami drgań, jak na przykład: konserwacja narzędzi roboczych i elektronarzędzi, nagrzanie rąk, organizacja przebiegu pracy.

▲ OSTRZEŻENIE! Należy przeczytać wszystkie wskazówki dotyczące bezpieczeństwa i instrukcje. Błędy w przestrzeganiu poniższych wskazówek mogą spowodować porażenie prądem, pożar i/lub ciężkie obrażenia ciała. **Należy starannie przechowywać wszystkie przepisy i wskazówki bezpieczeństwa dla dalszego zastosowania.**

▲ WSKAZÓWKI DOTYCZĄCE BEZPIECZEŃSTWA DLA PIŁ TARCZOWYCH

Procedura cięcia

▲ NIEBEZPIECZEŃSTWO: Należy uważać, by ręce nie dostały się w zasięg piłowania i nie dotknęły brzeszczotu. Drugą ręką należy trzymać uchwyt dodatkowy lub obudowę silnika. Gdy obydwie ręce trzymają piłę tarczową, brzeszczot nie może ich zranić.

Nie należy chwycić niczego pod obrabianym przedmiotem. Osłona ochronna nie może chronić Państwa przed brzeszczotem pod obrabianym przedmiotem.

Głębokość cięcia należy dopasować do grubości obrabianego przedmiotu. Powinno być widoczne mniej jak pełna wysokość zębów pod obrabianym przedmiotem.

Nie należy nigdy trzymać przedmiotu do piłowania w ręce lub podtrzymywać nogą. Obrabiany przedmiot należy zabezpieczyć na stabilnym podłożu. Ważne jest, by obrabiany przedmiot dobrze umocować, aby zmniejszyć niebezpieczeństwo kontaktu z ciałem, zablokowanie się brzeszczotu lub utraty kontroli nad urządzeniem.

Trzymaj urządzenie za izolowane powierzchnie chwytne gdy wykonujesz roboty, w trakcie których narzędzie skrawające może natrafić na ukryte przewody prądowe. Kontakt z przewodami pod napięciem wprowadza również metalowe części urządzenia pod napięcie i prowadzi do porażenia prądem.

Przy cięciach wzdłużnych należy używać zawsze oporu lub prostej prowadnicy krawędzi. Polepsza to dokładność cięcia i zmniejsza możliwość, że brzeszczot się zablokuje.

Należy używać zawsze brzeszczotów odpowiedniej wielkości i z pasującym otworem zamocowania (np. gwiazdowym lub okrągłym). Brzeszczoty, które nie pasują do części montażowych piły kręcą się nierównomiernie i prowadzą do utraty kontroli nad urządzeniem.

Nie należy używać nigdy uszkodzonych lub złych podkładek lub śrub do brzeszczotu. Podkładki i śruby do brzeszczotu zostały skonstruowane specjalnie dla Państwa piły, w celu optymalnej wydajności i bezpieczeństwa pracy.

Przyczyny i uniknięcie odbicia zwrotnego:

- Odbicie zwrotne jest nagłą reakcją jako następstwem haczących się, zablokowanych lub nieprawidłowo nastawionych brzeszczotów, które prowadzi do tego, że niekontrolowana piła podnosi się i porusza wysuwając z obrabianego przedmiotu w kierunku osoby obsługującej urządzenie;

- Gdy brzeszczot zahaczy się lub zablokuje w zamykającym się rzazie, brzeszczot blokuje się a siła silnika odbija urządzenie w kierunku osoby obsługującej urządzenie;

- Gdy brzeszczot zostanie przekreślony lub nieprawidłowo ustawiony w rzazie, żeby tylną krawędź brzeszczotu mogła się zahaczyć na powierzchnię obrabianego przedmiotu, przez co brzeszczot wysuwa się z rzazu, a piła odskakuje w kierunku osoby obsługującej urządzenie.

Odbicie zwrotne jest następstwem nieprawidłowego lub błędnego używania piły. Można mu zapobiec stosując odpowiednie środki ostrożności, tak jak opisano niżej.

Piłę należy trzymać obydwo rękami a ramiona powinny zająć taką pozycję, w której można oprzeć się siłom odbicia zwrotnego. Należy przyjąć pozycję zawsze z boku brzeszczotu, nigdy nie doprowadzić do

tego, by brzeszczot znajdował się na jednej linii z ciałem. Przy odbiciu zwrotnym piła może odskoczyć do tyłu, jednak osoba ją obsługująca może zapanować nad siłami odbicia zwrotnego, gdy zostały przedsięwzięte odpowiednie środki zaradcze.

W przypadku, gdy brzeszczot zablokował się lub piłowanie zostało przerwane z innego powodu, należy zwolnić włącznik/wyłącznik i piłę trzymać spokojnie w obrabianym materiale, aż do momentu, gdy brzeszczot znajduje się całkowicie w bezruchu. Nie należy nigdy próbować wyjęcia piły z obrabianego przedmiotu lub ciągnięcia jej do tyłu tak długo, jak długo brzeszczot znajduje się w ruchu, lub mógłoby zdarzyć się odbicie zwrotne. Należy wykryć przyczynę zablokowania się brzeszczotu i usunąć ją odpowiednimi środkami zaradczymi.

Gdy chce się ponownie włączyć piłę, która tkwi w obrabianym przedmiocie, należy brzeszczot wycentrować w rzemie i skontrolować, czy zęby piły nie są zahaczone w obrabianym przedmiocie. W przypadku, gdy brzeszczot jest zablokowany, może on wypaść z obrabianego przedmiotu lub spowodować odbicie zwrotne, gdy piła zostanie ponownie włączona.

Duże płyty należy podeprzeć, aby zmniejszyć ryzyko odbicia zwrotnego spowodowane zablokowaniem brzeszczotem. Duże płyty mogą się przegiąć pod ciężarem własnym. Płyty muszą być z dwóch stron podparte, zarówno w pobliżu rządu, jak i na krawędzi.

Nie należy używać tępych lub uszkodzonych brzeszczotów. Brzeszczoty z tępymi lub nieprawidłowo ustawionymi zębami powodują podwyższone tarcie, zablokowanie i odbicie zwrotne, spowodowane za wąskim rzazem.

Przed piłowaniem należy dokręcić nastawienia głębokości i kąty cięcia. W przypadku, gdy nastawienia zmienia się podczas piłowania, brzeszczot może się zablokować i tym samym wystąpić odbicie zwrotne.

Należy być szczególnie ostrożnym przy wykonywaniu "cięcia wgłębne" w ukrytym zasięgu pracy, np. w isniejącej ścianie. Wgłębiający się brzeszczot może się przy cięciu w ukrytych obiektach zablokować i spowodować odbicie zwrotne.

Funkcja dolnej osłony

Przed każdym użyciem należy skontrolować, czy dolna osłona ochronna zamyka się prawidłowo. Nie należy używać piły, gdy dolna osłona ochronna nie porusza się bez przeszkód i nie zamyka się natychmiast. Nie dozwolone jest blokowanie lub przywiązywanie dolnej osłony ochronnej w pozycji otwartej. Gdy piła upadnie niezamierzenie na podłoże, osłona ochronna może się skrzywić. Należy otworzyć osłonę ochronną dźwignią odciągającą i zabezpieczyć, by poruszała się ona bez przeszkód i przy wszystkich kątach i głębokościach cięcia nie dotykała zarówno brzeszczotu jak i innych części.

Należy skontrolować funkcjonowanie sprężyn do dolnej osłony ochronnej. Przed użyciem należy urządzenie oddać do doгляду, gdy dolna osłona ochronna i sprężyny pracują nieprawidłowo. Uszkodzone części, klejące się osady lub spiętrające się wióry powodują opóźnioną pracę osłony ochronnej.

Otworzyć ręcznie dolną osłonę ochronną tylko przy szczególnych rodzajach cięcia, takich jak "cięcie wgłębne i pod kątem". Dolną osłonę ochronną otworzyć dźwignią odciągającą i ponownie zwolnić, skoro tylko brzeszczot zagłębił się w obrabiany przedmiot. Przy wszystkich innych pracach dolna osłona ochronna musi pracować automatycznie.

Piły nie należy odkładać na stole roboczym lub podłożu, gdy dolna osłona ochronna nie zakrywa brzeszczotu. Niezabezpieczony, będący na wybiegu brzeszczot porusza piłę w kierunku odwrotnym do kierunku cięcia i tnie wszystko, co stoi na przeszkodzie. Przy tym należy uważać na czas opóźnienia wybiegu piły.

DODATKOWE WSKAZÓWKI BEZPIECZEŃSTWA I INSTRUKCJE ROBOCZE

Przed przystąpieniem do jakichkolwiek prac na elektronarzędziu należy wyjąć wkładkę akumulatorową. Zużytych akumulatorów nie wolno wrzucać do ognia ani traktować jako odpadów domowych. Milwaukee oferuje ekologiczną utylizację zużytych akumulatorów.

Nie przechowywać akumulatorów wraz z przedmiotami metalowymi (niebezpieczeństwo zwarcia).

Akumulatory Systemu C 18 należy ładować wyłącznie przy pomocy ładowarek Systemu C 18. Nie ładować przy pomocy tych ładowarek akumulatorów innych systemów.

Nie otwierać wkładek akumulatorowych i ładowarek. Przechowywać w suchych pomieszczeniach. Chronić przed wilgocią.

Nie używać ostrzy nie odpowiadających głównym parametrom podanym w instrukcji obsługi.

Stosować środki ochrony słuchu! Narażenie na hałas może spowodować utratę słuchu.

Proszę nie stosować tarcz szlifierskich

W przypadku, gdy przezroczysta osłona brzeszczotu piły jest pęknięta lub polamana to należy ją natychmiast wymienić w autoryzowanym warsztacie specjalistycznym. Maszyna nie może być eksploatowana z uszkodzoną lub brakującą osłoną brzeszczotu piły.

WARUNKI UŻYTKOWANIA

Piła do metalu tnie dokładnie przy cięciu wzdłużnym i pod kątem w różnych rodzajach metali, takich jak profile metalowe (UniStrut), rury, śruby, kanały, profile aluminiowe, blacha, itp.

Produkt można użytkować wyłącznie zgodnie z jego normalnym przeznaczeniem.

ŚWIADECTWO ZGODNOŚCI CE

Oświadczamy na naszą wyłączną odpowiedzialność, że produkt opisany w punkcie "Dane techniczne" jest zgodny ze wszystkimi istotnymi przepisami Dyrektywy 2011/65/UE (RoHS), 2014/30/UE, 2006/42/WE oraz z następującymi zharmonizowanymi dokumentami normatywnymi:

EN 60745-1:2009 + A11:2010
EN 60745-2-5:2010
EN 55014-1:2006 + A1:2009 + A2:2011
EN 55014-2:1997 + A1:2001 + A2:2008
EN 50581:2012

Winnenden, 2016-03-29

Alexander Krug
Managing Director



Upelnomocniony do zestawienia danych technicznych

Techtronic Industries GmbH
Max-Eyth-Straße 10
71364 Winnenden
Germany

BATERIE AKUMULATOROWE

Zwracać uwagę na specjalne wskazówki dla akumulatorów Milwaukee C 18 w instrukcji obsługi urządzenia do ładowania.

Akumulatory, które nie były przez dłuższy czas użytkowane, należy przed użyciem naładować.

W temperaturze powyżej 50°C następuje spadek osiągniętych pojemności akumulatorowej. Uniknąć długotrwałego wystawienia na oddziaływanie ciepła lub promieni słonecznych (niebezpieczeństwo przegrzania).

Styki ładowarek i wkładek akumulatorowych należy utrzymywać w czystości

W celu zagwarantowania optymalnej żywotności należy po zakończonej eksploatacji naładować akumulatory do pełna. Dla zapewnienia możliwie długiej żywotności akumulatory należy wyjąć z ładowarki po ich naładowaniu.

W przypadku składowania akumulatorów dłużej aniżeli 30 dni:
Przechowywać je w suchym miejscu w temperaturze ok. 27°C.

Przechowywać je w stanie naładowanym do ok. 30% - 50%. Ładować je ponownie co 6 miesięcy.

AZ AKKUMULÁTOR TŰLTERHELÉS ELLENI VÉDELME

Przy przeciążeniu akumulatora bardzo dużym prądem na przykład wskutek ekstremalnie dużych momentów obrotowych, zakleszczenia wiertła, nagłego zatrzymania się lub zwarcia narzędzie elektryczne 'buczy' przez 2 sekundy i samoczynnie wyłącza się.

W celu ponownego włączenia należy zwolnić, a następnie ponownie włączyć przycisk wyłącznika.

Pod ekstremalnymi obciążeniami może dojść do silnego nagrzania się akumulatora. W takim wypadku akumulator wyłącza się. Wówczas należy wétknąć akumulator do ładowarki, aby go ponownie naładować i aktywować.

TRANSPORT AKUMULATORÓW LITOWO-JONOWYCH

Akumulatory litowo-jonowe podlegają ustawowym przepisom dotyczącym transportu towarów niebezpiecznych.

Transport tych akumulatorów winien odbywać się przy przestrzeganiu lokalnych, krajowych i międzynarodowych rozporządzeń i przepisów.

- Odbiorcom nie wolno transportować tych akumulatorów po drogach o tak po prostu.
- Komercyjny transport akumulatorów litowo-jonowych przez przedsiębiorstwa spedycyjne podlega przepisom dotyczącym transportu towarów niebezpiecznych. Przygotowania do wysyłki oraz transport mogą być wykonywane wyłącznie przez odpowiednio przeszkolone osoby. Cały proces winien odbywać się pod fachowym nadzorem.

W czasie transportu akumulatorów należy przestrzegać następujących punktów:

- Celem uniknięcia zwarcia należy upewnić się, że zestyki są zabezpieczone i zaizolowane.
- Zwracać uwagę na to, aby zespół akumulatorów nie mógł się przemieszczać we wnętrzu opakowania.
- Nie wolno transportować akumulatorów uszkodzonych lub z wyciekającym z elektrolitem.

Odnosnie dalszych wskazówek należy zwrócić się do swojego przedsiębiorstwa spedycyjnego.

ZALECENIA EKSPLOATACYJNE

W przypadku przeciążenia silnika następuje automatyczne wyłączenie elektronarzędzia. Po wyłączeniu należy odczekać do ochłodzenia elektronarzędzia, a następnie nacisnąć przycisk przeciążenia i ponownie uruchomić elektronarzędzie. W przypadku częstego wyłączania elektronarzędzia przez układ zabezpieczenia przeciążeniowego należy zmniejszyć nacisk przy cięciu lub jego głębokość.

UTRZYMANIE I KONSERWACJA

Należy pamiętać, aby przed założeniem lub zdjęciem tarczy tnącej wyjąć wtyczkę z gniazda sieciowego.

Oczyszczyć urządzenie i elementy zabezpieczające za pomocą suchej ściereczki. Niektóre środki czyszczące powodują uszkodzenie tworzywa sztucznego lub innych izolowanych części. Utrzymywać urządzenie w stanie czystym i suchym oraz wolnym od wyciekającego oleju i smaru. Sprawdzić działanie osłon. Regularna konserwacja i czyszczenie przyczyniają się do wydłużonej trwałości i bezpiecznego użytkowania.

Używać tylko i wyłącznie wyposażenia dodatkowego Milwaukee i części zamiennych Milwaukee. Gdyby trzeba było wymienić części, które nie zostały opisane, należy skontaktować się z przedstawicielem serwisu Milwaukee (patrz wykaz adresów punktów usługowych/gwarancyjnych).

W razie potrzeby można zamówić rysunek urządzenia w rozłożeniu w części podając typ maszyny oraz sześciopozycyjny numer na tabliczce znamionowej w Punkcie Obsługi Klienta lub bezpośrednio w firmie Techtronic Industries GmbH, Max-Eyth-Straße 10, 71364 Winnenden, Germany.

SYMBOLS



UWAGA! OSTRZEŻENIE NIEBEZPIECZEŃSTWO!



Przed przystąpieniem do jakichkolwiek prac na elektronarzędziu należy wyjąć wkładkę akumulatorową.



Przed uruchomieniem elektronarzędzia zapoznać się uważnie z treścią instrukcji.



Podczas pracy należy zawsze nosić okulary ochronne.



Urządzenia elektryczne nie mogą być usuwane razem z odpadami pochodzącymi z gospodarstw domowych.

Urządzenia elektryczne i elektroniczne należy gromadzić oddzielnie i w celu usuwania ich do odpadów zgodnie z wymaganiami środowiska naturalnego oddawać do przedsiębiorstwa utylizacyjnego.

Proszę zasięgnąć informacji o centrach recyklingowych i punktach zbiorczych u władz lokalnych lub u wyspecjalizowanego dostawcy.



Znak CE



Krajowy znak zgodności Ukraina



Znak zgodności EurAsian

MŰSZAKI ADATOK	FÉMVÁGÓ	HD 18 MS
Gyártási szám.....	4312 58 02...	..000001-999999
Üresjárat fordulatszám.....	3600 min ⁻¹	
Fűrészlap átmérő x lyukátmérő	135 x 20 mm	
Max. vágási teljesítmény		
Acéllemezbe	1,6 mm	
Csövek	∅ 50 mm	
I-domdarabok	51 mm	
Akkumulátor feszültség	18 V	
Súly a 01/2003 EPTA-eljárás szerint	2,6 kg	

Zaj-/Vibráció-információ

A közölt értékek megfelelnek az EN 60 745 szabványnak.

Szabvány szerinti A-értékelésű hangszint:

Hangnyomás szint (K bizonytalanság=3dB(A))..... 75 dB (A)

Hangteljesítmény szint (K bizonytalanság=3dB(A))..... 86 dB (A)

Hallásvédő eszköz használata ajánlott!

Összesített rezgésértékek (három irány vektorális összege) az

EN 60745-nek megfelelően meghatározva.

a, rezgés emisszió érték..... < 2,5 m/s²

K bizonytalanság = 1,5 m/s²

FIGYELMEZTETÉS

A jelen utasításokban megadott rezgésszint értéke az EN 60745-ben szabályozott mérési eljárásnak megfelelően került lemérésre, és használható elektromos szerszámokkal történő összehasonlításhoz. Az érték alkalmas a rezgésterhelés előzetes megbecslésére is.

A megadott rezgésszint-érték az elektromos szerszám legfőbb alkalmazásait reprezentálja. Ha az elektromos szerszámot azonban más alkalmazásokhoz, eltérő használt szerszámokkal vagy nem elegendő karbantartással használják, a rezgésszint értéke eltérő lehet. Ez jelentősen megnövelheti a rezgésterhelést a munkavégzés teljes időtartama alatt.

A rezgésterhelés pontos megbecsléséhez azokat az időket is figyelembe kell venni, melyekben a készülék lekapcsolódik, vagy ugyan működik, azonban ténylegesen nincs használatban. Ez jelentősen csökkentheti a munkavégzés teljes időtartama alatt.

Határozzon meg további biztonsági intézkedéseket a kezelő védelmére a rezgések hatása ellen, például: az elektromos és a használt szerszámok karbantartásával, a kezek melegen tartásával, a munkafolyamatok megszervezésével.

▲ FIGYELMEZTETÉS! Olvasson el minden biztonsági útmutatást és utasítást. A következőkben leírt előírások betartásának elmulasztása áramütésekhez, tűzhoz és/vagy súlyos testi sérülésekhez vezethet. **Kérjük a későbbi használatra gondosan őrizze meg ezeket az előírásokat.**

▲ KÖRFŰRÉSZEKRE VONATKOZÓ BIZTONSÁGI ÚTMUTATÁSOK

Fűrészelési mód

▲ VESZÉLY: Sohase tegye be a kezét a fűrészelési területre és sohase érjen hozzá a fűrészlaphoz. Fogja meg a másik kezével a pótfogantyút vagy a motorházat. Ha mindkét kezével tartja a körfűrész, akkor az nem tudja megsérteni a kezét.

Sohase nyúljon be a munkadarab alá. A védőburkolat a munkadarab alatt nem nyújt védelmet a fűrészlappal szemben.

A vágási mélységet a munkadarab vastagságának megfelelően kell megválasztani. A fűrészlapból a munkadarab alatt kevesebb mind egy teljes fogmagasságnynak kell kilátszania.

Sohase a kezével vagy a lábán vagy a lábával próbálja meg a fűrészlésre kerülő munkadarabot lefogni. A megmunkálásra kerülő munkadarabot mindig egy stabil alapra rögzítse. Nagyon fontos, hogy a munkadarabot biztonságosan rögzítse, hogy csökkentse a fűrészlap beékelődésekor felmerülő veszélyeket, mindenekeftől annak veszélyét, hogy a munkadarab vagy a készülék nekivágódjon valamelyik testrésznék.

A készüléket a szigetelt markolatfelületeket fogva tartsa, ha olyan munkákat akar végez, melyeknél a vágószerszám rejtett elektromos vezetékekbe. Ha a berendezés egy feszültség alatt álló vezetékhez ér, a

berendezés fémrészei szintén feszültség alá kerülhetnek és áramütéshez vezethetnek.

Hosszirányú vágásokhoz használjon mindig egy ütközőt vagy egy egyenes vezetőlécet. Ez megnöveli a vágás pontosságát és csökkenti a fűrészlap beakadásának lehetőségét.

Mindig csak a helyes méretű és a készüléknek megfelelő rögzítő (például csillagalakú vagy körkeresztmetszetű) nyílással ellátott fűrészlapokat használjon. Azok a fűrészlapok, amelyek nem illenek hozzá a fűrész rögzítő alkatrészeihez, nem futnak körkörösén és ahhoz vezetnek, hogy a kezelő elveszti a készülék feletti uralmát.

Sohase használjon megrongálódott vagy hibás fűrészlap-alátétárcsákat vagy -csavarokat. A fűrészlap-alátétárcsák és -csavarok kifejezetten az Ön fűrészéhez kerültek kifejlesztésre és hozzájárulnak annak optimális teljesítményéhez és biztonságához.

Egy visszarugás okai és megelőzésének módja:

- egy visszarugás a beakadó, beékelődő, vagy hibás helyzetbe állított fűrészlap következtében fellépő hirtelen reakció, amely ahhoz vezet, hogy a fűrész, amely felett a kezelő elvesztette az uralmát, akarátlanul kiemelkedik a munkadarabból és a kezelő személy felé mutató irányba mozdul;

- ha a fűrészlap az összezáradó fűrészelési részbe beakad vagy beékelődik és leblokkol, és a motor ereje az egész készüléket a kezelő személy irányába rántja vissza;

- ha a fűrészlapot megfordítva vagy hibás irányba állítva teszik be a vágásba, a fűrészlap hátsó élén elhelyezkedő fűrészfogak beakadhatnak a munkadarab felületébe, melynek következtében a fűrészlap kilép a vágásból és a fűrész hátrafelé, a kezelő személy felé mutató irányba ugrik.

Egy visszarugás mindig a fűrész hibás vagy helytelen használatának következménye. Ezt az alábbiakban leírásra kerülő megfelelő óvatossági intézkedésekkel meg lehet gátolni.

Tartsa a fűrész mindkét kezével szorosan fogva és hozza a karjait olyan helyzetbe, amelyben a visszaütő erőket jobban fel tudja venni. A fűrészlaphoz viszonyítva mindig oldalt álljon, sohase hozza a fűrészlapot a testével egy síkba. Egy visszarugás esetén a körfűrész hátrafelé is tehet egy ugrást, de megfelelő intézkedések meghozatala esetén a kezelő személy a visszaütő erőket fel tudja fogni.

Ha a fűrészlap beszorul, vagy a fűrészelési folyamat valami más okból megszakad, engedje el a be-/kikapcsolót és tartsa nyugodtan a fűrész a munkadarabban, amíg a fűrészlap teljesen le nem áll. Sohase próbálja meg kivenni a fűrész a munkadarabból, vagy hátrafelé húzni, amíg a fűrészlap még mozgásban van és amíg még egy visszarugás léphet fel. Keresse meg a fűrészlap beszorulásának okát és megfelelő intézkedéssel hárítsa el a hibát.

Ha a munkadarabban álló fűrészlapot újra el akarja indítani, először hozza a fűrészlapot a fűrészelési rés közepére, és ellenőrizze, nincs-e beakadva egy vagy több fog a munkadarabba. Ha a fűrészlap be van szorulva, akkor az újraindításkor kiugorhat a munkadarabból, vagy egy visszarugást is okozhat.

Nagyobb lapok megmunkálásánál támassza ezt megfelelően alá, nehogy egy beszorult fűrészlap következtében visszarugás lépjen fel. A nagyobb méretű lapok saját súlyuk alatt leöghetnek, illetve megöbörülhetnek. A lapokat mindkét oldalukon, mind a fűrészelési rés közelében, mind a szélükön alá kell támasztani.

Sohase használjon életlen vagy megrongálódott fűrészlapokat. Az életlen vagy hibásan beállított fogú fűrészlapok egy túl keskeny vágási résben megnövekedett súrlódáshoz, a fűrészlap beragadásához és visszarugásokhoz vezetnek.

A fűrészelés előtt húzza meg szorosra a vágási mélység és vágási szög beállító elemeket. Ha a fűrészelés során megváltoznak a beállítások, a fűrészlap beékelődhet és a fűrész visszarúghat.

Különösen óvatosan kell dolgozni, ha egy nem átlátható területen, például egy fal egyik oldalán hajt végre "süllyesztő vágást". Az anyagba besüllyedő fűrészlap a fűrészelés közben kívülről nem látható akadályokban megakadhat és ez egy visszarugáshoz vezethet.

Function of the bottom guard

Ellenőrizze minden használat előtt, hogy az alsó védőburkolat tökéletesen zár-e. Ne használja a fűrész, ha az alsó védőburkolat nem mozog szabadon és nem zár azonnal. Sohase akassa be vagy kösse meg nyitott helyzetben az alsó védőburkolatot. Ha a fűrész véletlenül leesik a padlóra, az alsó védőburkolat megöbörülhet. Nyissa ki a visszahúzó karral a védőburkolatot és gondoskodjon arról, hogy az szabadon mozogjon és semmilyen vágási szögnel és vágási mélységnél sem érintse meg sem a fűrészlapot, sem a berendezés egyéb alkatrészeit.

Ellenőrizze az alsó védőburkolat rugójának működését. Ha az alsó védőburkolat és annak mozgató rugója nem működik tökéletesen, akkor végeztesse el a megfelelő karbantartási munkákat. Megrongálódott alkatrészek, ragasztó-lerakódások, vagy forgácsok lelassítják az alsó védőburkolat működését.

Az alsó védőburkolatot csak különleges vágási módok, mint "süllyesztő és szögvágások" esetén szabad kézzel kinyitani. Nyissa ki a visszahúzó karral az alsó védőburkolatot, és engedje azt el, mielőtt a fűrészlap behatol a munkadarabba. Az alsó védőburkolatnak minden más fűrészelési munkánál automatikusan kell működnie.

Sohase tegye le a fűrész a munkapadra vagy a padlóra, ha az alsó védőburkolat nem borítja be teljesen a fűrészlapot. Egy véletlen, utánfutó fűrészlap a vágási iránnyal ellenkező irányba mozog és mindenbe belevág, ami az útjába kerül. Ügyeljen ekkor a fűrész utánfutási idejére.

TOVÁBBI BIZTONSÁGI ÉS MUNKAVÉGZÉSI UTASÍTÁSOK

Karbantartás, javítás, tisztítás, stb. előtt az akkumulátort ki kell venni a készülékből.

A használt akkumulátort ne dobja tűzbe vagy a háztartási szemétkébe. Tájékoztódjon a szakszerű megsemmisítés helyi lehetőségeiről.

Az akkumulátort ne tárolja együtt fém tárgyakkal. (Rövidzárlat veszélye).

Az System C 18 elnevezésű rendszerhez tartozó akkumulátorokat kizárólag a rendszerhez tartozó töltővel tölts fel. Ne használjon más rendszerbe tartozó töltőt.

Az akkumulátort, töltőt nem szabad megbontani és kizárólag száraz helyen szabad tárolni. Nedvességtől óvni kell.

Ne használjon olyan fűrészlapot, ami nem egyezik meg a használati útmutatóban feltüntetettekkel.

Viseljen hallásvédőt. A zajhatás a hallás elvesztését eredményezheti.

Ne használjuk csiszolókoronggal!

Amennyiben az áttátszó fűrészlap-borítás elszakad vagy eltört, azonnal ki kell cserélni egy arra feljogosított szakműhellyel. Hibás vagy hiányzó fűrészlap-borítás nélkül nem szabad üzemeltetni a gépet.

RENDELTETÉSSZERŰ HASZNÁLAT

A fémvágó hosszanti irányban és ferdeszögben is pontosan vág különböző típusú anyagokban; pl.: fém profilok (UniStrut), csövek, csatornák, szögvas, alumínium profilok, fém lemez, stb.

A készüléket kizárólag az alábbiakban leírtaknak megfelelően szabad használni.

CE-AZONOSSÁGI NYILATKOZAT

Egyedüli felelősséggel kijelentjük, hogy a "Műszaki Adatok" alatt leírt termék a 2011/65/EU (RoHS), 2014/30/EU, 2006/42/KE irányelvek minden releváns előírásának, ill. az alábbi harmonizált normatív dokumentumoknak megfelel:

EN 60745-1:2009 + A11:2010

EN 60745-2-5:2010

EN 55014-1:2006 + A1:2009 + A2:2011

EN 55014-2:1997 + A1:2001 + A2:2008

EN 50581:2012

Winnenden, 2016-03-29



Alexander Krug
Managing Director



Műszaki dokumentáció összeállításra felhatalmazva

Techtronic Industries GmbH
Max-Eyth-Straße 10
71364 Winnenden
Germany

AKKUK

Vegye figyelembe a Milwaukee C 18 akkukra vonatkozó speciális útmutatásokat, amelyek a töltőkészülék kezelési utasításában található!

A hosszabb ideig üzemben kívül lévő akkumulátort használat előtt ismételtel fel kell tölteni.

50°C feletti hőmérsékletnél csökkenhet az akkumulátor teljesítménye. Kerülni kell a túlzottan meleg helyen vagy napon történő hosszabb idejű tárolást.

A töltő és az akkumulátor csatlakozóit mindig tisztán kell tartani.

Az optimális élettartam érdekében használat után az akkukat teljesen fel kell tölteni.

A lehetőleg hosszú élettartamhoz az akkukat feltöltés után ki kell venni a töltőkészülékből.

Az akku 30 napot meghaladó tárolása esetén: Az akkut kb. 27 °C-on, száraz helyen kell tárolni. Az akkut kb. 30-50%-os töltöttségi állapotban kell tárolni. Az akkut 6 havonta újra kell tölteni.

KUMULÁTOR TÚLTERHELÉS ELLENI VÉDELME

Az akku túl magas áramfogyasztás miatti, pl. túl nagy forgatónyomatékok, a fúró megszorulása, hirtelen leállás következtében fellépő túlterhelése esetén az elektromos szerszám 2 másodpercig zúg, és önműködően lekapcsol. Az újbóli bekapcsoláshoz el kell engedni a kapcsolóbillentyűt, majd ismét be kell kapcsolni. Extrém mértékű terhelés esetén az akku erősen felforrósodhat. Ebben az esetben az akku lekapcsol. Az ismételt feltöltéshez és aktiváláshoz ekkor dugja az akkut a töltőkészülékbe.

LÍTIUM-ION AKKUK SZÁLLÍTÁSA

A lítium-ion akkuk a veszélyes áruk szállítására vonatkozó törvényi rendelkezések hatálya alá tartoznak.

Az ilyen akkuk szállításának a helyi, országos és nemzetközi előírások és rendelkezések betartása mellett kell történnie.

- A fogyasztók minden további nélkül szállíthatják az ilyen akkukat közúton.
- A lítium-ion akkuk szállítmányozási vállalatok általi kereskedelmi célú szállítására a veszélyes áruk szállítására vonatkozó rendelkezések érvényesek. A kiszállítás előkészítését és a szállítást kizárólag megfelelő képzettségű személyek végezhetik. A teljes folyamatnak szakmai felügyelet alatt kell történnie.

A következő pontokat kell figyelembe venni akkuk szállításakor:

- Biztosítsa, hogy a rövidzárlatok elkerülése érdekében az érintkezők védve és szigetelve legyenek.
- Ügyeljen arra, hogy az akkucsomag ne tudjon elcsúszni a csomagoláson belül.
- Tilos sérült vagy kifolyt akkukat szállítani.

További útmutatásokért forduljon szállítmányozási vállalatához.

ÚTMUTATÁSOK A MUNKAVÉGZÉSHEZ

Ha a motort túlterheli a gép automatikusan kikapcsol. Hagyja lehűlni, nyomja meg a túlterhelés (overload) gombot és indítsa újra a gépet. Ha a túlterhelés védelem gyakran kikapcsolja a gépet, akkor csökkentse a nyomást, vagy a vágásmélységet.

KARBANTARTÁS

A fűrészlap felhelyezése és eltávolítása előtt ügyeljen arra, hogy kihúzza a szerszámot az elektromos hálózatból.

A készüléket és a védőeszközt száraz kendővel tisztítsa. Némely tisztítószerek károsítják a műanyagot, és más szigetelt alkatrészeket. Tartsa a készüléket tisztán és szárazon, valamint kifolyt olajtól és zsíroktól mentesen.

Ellenőrizze a védőburkolatok működését. A rendszeres karbantartás és tisztítás hosszú élettartamról és biztonságos kezeléssel rendelkezők.

Csak Milwaukee tartozékokat és Milwaukee pótalkatrészeket szabad használni. Az olyan elemeket, melyek cseréje nincs ismertette, cseréltesse ki Milwaukee szervizzel (lásd Garancia/Ügyfélszolgálat címei kiadványt).

Igény esetén a készülékről robbantott rajz kérhető a géptípus és a teljesítménycímeként található hatjegyű szám megadásával az Ön vevőszolgálatánál, vagy közvetlenül a Techtronic Industries GmbH-től a Max-Eyth-Straße 10, 71364 Winnenden, Németország címen.

SZIMBÓLUMOK



FIGYELEM! FIGYELMEZTETÉS! VESZÉLY!



Karbantartás, javítás, tisztítás, stb. előtt az akkumulátort ki kell venni a készülékből.



Kérjük alaposan olvassa el a tájékoztatót mielőtt a gépet használja.



Munkavégzés közben ajánlatos védőszemüveget viselni.



Az elektromos eszközöket nem szabad a háztartási hulladékkal együtt ártalmatlanítani. Az elektromos és elektronikus eszközöket szelektíven kell gyűjteni, és azokat környezetbarát ártalmatlanítás céljából hulladékhasznosító üzemben kell leadni. A helyi hatóságoknál vagy szakkereskedőjénél tájékozódjon a hulladékudvarokról és gyűjtőhelyekről.



CE-jelölés



Ukrán nemzeti megfelelőségi jelölés



Eurázsiai megfelelőségi jelzés.

TEHNIČNI PODATKI

ŽAGA ZA KOVINO

HD 18 MS

Proizvodna številka.....	4312 58 02... ...000001-999999
Število vrtljajev v prostem teku.....	3600 min ⁻¹
List žage ø x vrtni ø.....	135 x 20 mm
Maksimalna rezalna zmogljivost v jekleni pločevini.....	1,6 mm cevi..... ø 50 mm profilu..... 51 mm
Napetost izmenljivega akumulatorja.....	18 V
Teža po EPTA-proceduri 01/2003.....	2,6 kg

Informacije o hrupnosti/vibracijah

Vrednosti merjenja ugotovljene ustrezno z EN 60 745.

A ocenjeni nivo zvočnega tlaka (znaša tipično Nivo zvočnega tlaka (Nevarnost K=3dB(A)).....	75 dB (A)
Višina zvočnega tlaka (Nevarnost K=3dB(A)).....	86 dB (A)

Nosite zaščito za sluh!

Skupna vibracijska vrednost (Vektorska vsota treh smeri) določena ustrezno EN 60745.

Vibracijska vrednost emisij a _h	< 2,5 m/s ²
Nevarnost K=.....	1,5 m/s ²

OPOZORILO

V teh navodilih navedena raven tresljajev je bila izmerjena po EN60745 normiranem merilnem postopku in lahko služi medsebojni primerjavi električnih orodij. Prav tako je primeren za predhodno oceno obremenitve s tresljaji.

Navedena raven tresljajev navaja najpomembnejše vrste rabe električnega orodja. Kadar se električno orodje uporablja za drugačne namene, z odstopajočimi orodji ali pa z nezadostnim vzdrževanjem, lahko raven tresljajev tudi odstopa. Le to lahko čez celoten delovni čas znatno zviša obremenitev s tresenjem.

Za natančno oceno obremenitve s tresljaji naj bi se upošteval tudi čas v katerem je naprava izklopljena ali sicer teče, vendar dejansko ni v rabi. Le to lahko obremenitev s tresljaji čez celoten delovni čas znatno zmanjša.

Za zaščito upravljalca pred učinkom tresljajev uvedite dodatne zaščitne ukrepe npr.: Vzdrževanje električnega orodja in orodja, delo s toplimi rokami, organizacija delovnih potekov.

⚠ OPOZORILO! Preberite vsa varnostna opozorila in navodila. Napake zaradi neupoštevanja spodaj navedenih opozoril in napotil lahko povzročijo električni udar, požar in/ali težke telesne poškodbe.
Vsa opozorila in napotila shranite, ker jih boste v prihodnje še potrebovali.

⚠ VARNOSTNA OPOZORILO ZA KROŽNE ŽAGE

Postopek žaganja

⚠ NEVARNO: Ne segajte z rokami v območje žaganja in v bližino žaginega lista. Z drugo roko držite dodatni ročaj ali ohišje motorja. Če boste krožno žago držali z obema rokama, žagin list ne bo mogel poškodovati Vaših rok.

Ne segajte pod obdelovanec. Zaščitni okrov vas v tem primeru ne bo mogel zavarovati pred vrtečim se žaginim listom.

Prosimo, da globino reza prilagodite debelini obdelovanca. Znaša naj manj kot višina zoba, ki je vidna pod obdelovancem.

Obdelovanca nikoli ne držite v roki ali čez nogo, ampak ga na stabilni podlagi zavarujte proti premikanju. Dobra pritrjevanje obdelovanca je zelo pomembna, saj je tako nevarnost, da bi prišlo do telesnega stika, zatikanja žaginega lista ali izgube nadzora, minimalna.

Kadar izvajate dela pri katerih lahko orodje zadane prikrito električno napeljavo, je napravo potrebno držati za izolirane prijemalne površine.

Stik z električnim vodnikom, ki je pod napetostjo, povzroči napetost tudi v kovinskih delih naprave, kar ima za posledico električni udar.

Pri vzdolžnih rezih vedno uporabljajte prislon ali ravno robno vodilo. To bo zagotovilo večjo točnost reza in zmanjšalo nevarnost zatikanja žaginega lista.

Vedno uporabljajte žagine liste pravilne velikosti, ki se prilagajajo obliki prijemalne prirobnice (rombasta ali okrogla). Žagini listi, ki se ne ujemajo z montažnimi deli žage, se vrtilo neenakomerno in povzročijo izgubo nadzora nad napravo.

Nikoli ne uporabljajte poškodovanih oziroma napačnih podložk ali vijakov žaginega lista. Podložke in vijaki žaginega lista so bili konstruirani posebej za Vašo žago, z namenom doseganja njene optimalne zmogljivosti in varnega delovanja.

Vzroki in preprečevanje povratnega udarca:

- povratni udarec je nepričakovana reakcija zagodenega, zatakjenega ali napačno poravnega žaginega lista, zaradi česar se lahko žaga, ki ni več pod nadzorom, premakne iz obdelovanca proti osebi, ki upravlja z žago;

- žagin list se lahko zatakne ali zagodzi v rezu, kar povzroči njegovo blokiranje, moč motorja pa potisne napravo nazaj, proti osebi, ki z njo upravlja;

- če žagin list, ki se nahaja v rezu, zasukate ali če žagin list ni bil pravilno naravnat, se lahko zobje zadnjega roba žaginega lista zataknejo, žagin list skoči iz zareze in odleti vzvratno proti osebi, ki upravlja z žago.

Povratni udarec je posledica napačne uporabe žage. Preprečite ga lahko s primernimi previdnostnimi ukrepi, ki so opisani v nadaljevanju besedila.

Z obema rokama trdno držite žago. Roke premaknite v položaj, v katerem boste lahko kljubovali povratnim udarcem. Vedno stojite ob strani žaginega lista in se nikoli ne premaknite v položaj, v katerem bi bila Vaše telo in žagin list v isti črti. Pri povratnem udarcu lahko krožna žaga skoči nazaj, vendar pa lahko upravljalac povratne udarce obvlada, če je prej primerno ukrepal.

Če žagin list obtiči ali se žaganje prekine iz drugega razloga, spustite vklopno-izklopno stikalo in mirno držite žago v obdelovancu, dokler se žagin list popolnoma ne ustavi. Nikoli ne poskušajte žage

odstraniti iz obdelovanja ali jo potegniti nazaj, dokler se žagin list premika ali dokler bi lahko prišlo do povratnega udara. Poiščite vzrok za zatikanje žaginega lista in ga na ustrezen način odstranite.

Če želite žago, ki je običajna v obdelovancu, ponovno zagnati, centrirajte žagin list v rezu in preverite, če niso zobje zatakneni v obdelovancu. Zatakneni žagin list se lahko izmakne iz obdelovance in povzroči povratni udarec v trenutku, ko žago ponovno zaženete.

Večje plošče ustrezno podprite in tako zmanjšajte tveganje za nastanek povratnega udara zaradi zataknenega žaginega lista. Velike plošče se zaradi lastne teže lahko upognejo, zato jih morate podpreti na obeh straneh, torej blizu reza in na robu.

Ne uporabljajte topih ali poškodovanih žaginskih listov. Žaginski listi s topimi ali napačno poravnanimi zobmi zaradi prozkega reza povzročajo večje trenje, zatikanje žaginega lista in povratni udarec.

Pred žaganjem trdno privijte nastavitve za globino reza in rezalni kot. Če se nastavitve med rezanjem spremenijo, se lahko žagin list zatakne in povzroči povratni udarec.

Še posebno previdni bodite pri »potopnem žaganju« v skrito področje, na primer v obstoječo steno. Žagin list lahko pri potopnem žaganju skritih predmetov blokira in povzroči povratni udarec.

Funkcija spodnjega zaščitnega pokrova

Pred vsako uporabo naprave preverite brezhibno zapiranje spodnjega zaščitnega okrova. Ne uporabljajte žage, če spodnji zaščitni okrov ni prosto gibljiv in se takoj ne zapre. Spodnjega zaščitnega okrova nikoli ne zatikajte ali fiksirajte v odprtem položaju. Če pade žaga nenamerno na tla, se lahko spodnji zaščitni okrov zvije. Odprite ga z ročico za odmik in se prepričajte ali je prosto gibljiv. Zaščitni okrov se pri vseh rezalnih kotih in vseh globinah reza ne sme dotikati niti žaginega lista niti drugih delov žage.

Preglejte delovanje vzmeti za spodnji zaščitni okrov. Če spodnji zaščitni okrov in vzmeti ne delujejo brezhibno, oddajte napravo v popravilo. Poškodovani deli, lepljive obloge ali nabiranje ostružkov so vzrok za upočasnjeno delovanje spodnjega zaščitnega okrova.

Ročno odpiranje spodnjega zaščitnega okrova je dovoljeno samo pri posebnih rezih, kakršna sta »potopno žaganje in žaganje pod kotom«. Z ročico za odmik odprite spodnji zaščitni okrov in jo spustite takoj, ko žagin list prodre v obdelovanec. Pri vseh drugih rezih mora spodnji zaščitni okrov delovati samodejno.

Ne odlagajte žage na delovno mizo ali na tla, če spodnji zaščitni okrov ne pokriva žaginega lista. Nezavarovan, vrteč se žagin list premakne žago v protismeri reza in žaga vse, kar mu je na poti. Upošteвайте čas izteka žage.

NADALJNA VARNOSTNA IN DELOVNA OPOZORILA

Pred deli na stroju izvlecite izmenljivi akumulator.

Izrabljenih izmenljivih akumulatorjev ne mečite v ogenj ali v gospodinjске odpadke. Milwaukee nudi okolju prijazno odlaganje starih izmenljivih akumulatorjev; prosimo povprašajte vašega strokovnega trgovca.

Izmenljivih akumulatorjev ne hranite skupaj s kovinskimi predmeti (nevarnost kratkega stika).

Izmenljive akumulatorje sistema C 18 polnite samo s polnilnimi aparati sistema C 18. Ne polnite nobenih akumulatorjev iz drugih sistemov.

Izmenljivih akumulatorjev in polnilnih aparatov ne odpirajte in jih hranite samo v suhih prostorih. Zaščitite jih pred mokroto.

Listi za žago, ki ne odgovarjajo podatkom o značilnosti v tem navodilu za uporabo, se ne smejo uporabiti.

Nosite zaščitno za sluh. Razvijanje hrupa lahko povzroči izgubo sluha.

Ne uporabljati brusne plošče

V kolikor je prozorno prekritje razpakano ali prelomljeno, ga je potrebno v pooblaščen strokovni obratovalnici nemudoma obnoviti. S pokvarjenim ali manjkajočim prekritjem stroj ne sme obratovati.

UPORABA V SKLADU Z NAMEMBNOSTJO

Žaga za kovino je uporabna za žaganje ravnih rezov v različne vrste kovin kot npr. kovinski profili (UniStrut), cevi, suha gradbena stojala, kanali za kable, aluminijški profili, pločevina in drugo.

Ta naprava se sme uporabiti samo v skladu z namembnostjo uporabiti samo za navede namene.

CE-IZJAVA O KONFORMNOSTI

V lastni odgovornosti izjavljamo, da se pod "Tehnični podatki" opisan proizvod ujema z vsemi relevantnimi predpisi smernice 2011/65/EU (RoHS), 2014/30/EU, 2006/42/ES in s sledečimi harmoniziranimi normativnimi dokumenti:

EN 60745-1:2009 + A11:2010
EN 60745-2-5:2010
EN 55014-1:2006 + A1:2009 + A2:2011
EN 55014-2:1997 + A1:2001 + A2:2008
EN 50581:2012

Winnenden, 2016-03-29



Alexander Krug
Managing Director



Pooblaščen za izdelavo spisov tehnične dokumentacije.

Techtronic Industries GmbH
Max-Eyth-Straße 10
71364 Winnenden
Germany

AKUMULATORJI

Upošteвайте specialne napotke za Milwaukee C 18 akumulatorje v navodilu za uporabo polnilne naprave.

Izmenljive akumulatorje, ki jih daljši čas niste uporabljali, pred uporabo naknadno napolnite.

Temperatura nad 50°C zmanjšuje zmogljivost izmenljivega akumulatorja. Izogibajte se daljšemu segrevanju zaradi sončnih žarkov ali gretja.

Pazite, da ostanete priključni kontakti na polnilnem aparatu in izmenljivem akumulatorju čisti.

Za optimalno življenjsko dobo je akumulatorje potrebno po uporabi napolniti do konca.

Za čim daljšo življenjsko dobo naj se akumulatorji po napolnitvi vzamejo ven iz naprave za polnjenje.

Pri skladiščenju akumulatorjev daj kot 30 dni: Akumulator skladiščiti pri 27°C in na suhem. Akumulator skladiščiti pri 30%-50% stanja polnjenja. Akumulator spet napolniti vsakih 6 mesecev.

ZAŠČITA PREOBREMENITVE AKUMULATORJA

V primeru preobremenitve akumulatorjev zaradi zelo visoke porabe toka, npr. ekstremno visokih vrtilnih momentov, zatika svedra, nenadne zaustavitve ali kratkega stika, električno orodje 2 sekundi brni in se samodejno izklopi. Za ponoven vklop izpustite tipko stikala in nato znova vklopite.

Pod ekstremnimi obremenitvami se lahko akumulator močno segreje. V tem primeru se akumulator izklopi. Za ponovno polnitev in aktiviranje akumulatorja ga je potrebno vstaviti v polnilec.

TRANSPORT LITIJ-IONSКИH AKUMULATORJEV

Litij-ionski akumulatorji so podvrženi zakonskim določbam transporta nevarnih snovi.

Transport teh akumulatorjev se mora izvajati upoštevajoč lokalne, nacionalne in mednarodne predpise in določbe.

- Potrošniki lahko te akumulatorje še nadalje transportirajo po cesti.
- Komercialni transport litij-ionskih akumulatorjev s strani špediterskih podjetij je potrjen določbam transporta nevarnih snovi. Priprava odpreme in transporta se lahko vrši izključno s strani ustrezno izšolanih oseb. Celoten proces je potrebno strokovno spremljati.

Pri transportu akumulatorjev je potrebno upoštevati sledeče točke:

- V izogib kratkim stikom zagotovite, da bodo kontakti zaščiteni in izolirani.
- Bodite pozorni na to, da paket akumulatorja v notranjosti embalaže ne bo mogel zdrsni.
- Poškodovanih ali iztekajočih akumulatorjev ni dovoljeno transportirati.

Za nadaljnja navodila se obrnite na vaše špeditersko podjetje.

NAPOTKI ZA DELO

Pri preobremenitvi motorja se stroj avtomatsko izklopi. Po ohladitvi ponovno pritisnite preobremenitveni gumb in ponovno vklopite stroj. Pri pogostem izklopu zaradi zaščite pred preobremenitvijo zmanjšajte rezalni pritisk ali globino reza.

VZDRŽEVANJE

Pred nameščanjem ali odstranjevanjem rezila žage se prepričajte, da ste orodje odklopili z napajanja.

Napravo in zaščitno pripravo čistite s suho krpo. Mnoga čistilna sredstva poškodujejo umetne mase ali druge izolirane dele. Napravo vzdržujte čisto in suho kakor tudi prsto uhajajočega olja in masti. Preverite delovanje ščitnikov. Redno vzdrževanje in čiščenje poskrbita za dolgo življenjsko dobo in varno rokovanje.

Uporabljajte samo Milwaukee pribor in Milwaukee nadomestne dele. Poskrbite, da sestavne dele, katerih zamenjava ni opisana, zamenjajo v Milwaukee servisni službi (upošteвайте brošuro Garancija/Naslovi servisnih služb).

Po potrebi je mogoče pri vašem servisnem mestu ali neposredno pri Techtronic Industries GmbH, Max-Eyth-Straße 10, 71364 Winnenden, Germany, naročiti eksplozijsko risbo naprave ob navedbi tipa stroja in na tablici navedene šestmestne številke.

SIMBOLI



POZOR! OPOZORILO! NEVARNO!



Pred vsemi deli na stroji odstranite izmenljivi akumulator.



Prosimo, da pred uporabo pozorno preberete to navodilo za uporabo.



Pri delu s strojem vedno nosite zaščitna očala.



Električnih naprav ni dovoljeno odstranjevati skupaj z gospodinjскими odpadki. Električne in elektronske naprave je potrebno zbirati ločeno in za okolju prijazno odstranitev, oddati podjetju za reciklažo. Pri krajevnem uradu ali vašem strokovnem prodajalcu se pozanimajte glede reciklažnih dvišč in zbirnih mest.



CE-znak



Nacionalna oznaka skladnosti Ukrajina



EurAsian oznaka o skladnosti.

TEHNIČKI PODACI	METALNA PILA	HD 18 MS
Broj proizvodnje.....	4312 58 02...	...000001-999999
Broj okretaja praznog hoda	3600 min ⁻¹	
List pile- ϕ x Bušenje- ϕ	135 x 20 mm	
Max. učinak rezanja		
U čelični lim	1,6 mm	
Cijevi	ϕ 50 mm	
Profilni	51 mm	
Napon baterije za zamjenu	18 V	
Težina po EPTA-proceduri 01/2003	2,6 kg	

Informacije o buci/vibracijama

Mjerne vrijednosti utvrđene odgovarajuće EN 60 745.	
A-procjenjeni nivo pritiska zvuka aparata iznosi tipično	
Nivo pritiska zvuka (Nesigurnost K=3dB(A))	75 dB (A)
Nivo učinka zvuka (Nesigurnost K=3dB(A))	86 dB (A)

Nositi zaštitu sluha!

Ukupne vrijednosti vibracije (Vektor suma tri smjera) su odmjerene odgovarajuće EN 60745

Vrijednost emisije vibracije a_h	< 2,5 m/s ²
Nesigurnost K=	1,5 m/s ²

UPOZORENIE

Ova u ovim uputama navedena razina titranja je bila izmjerena odgovarajuće jednom u EN 60745 normiranom mjernom postupku i može se upotrijebiti za usporedbu električnog alata međusobno. Ona je prikladna i za privremenu procjenu titrajnog opterećenja.

Navedena razina titranja reprezentira glavne primjene električnog alata. Ukoliko se električni alat upotrebljava u druge svrhe sa odstupajućim primijenjenim alatima ili nedovoljnim održavanjem, onda razina titranja može odstupati. To može titrajno opterećenje kroz cijeli period rada bitno povisiti.

Za točnu procjenu titrajnog opterećenja se moraju uzeti u obzir i vremena u kojima je uređaj isključen ili u kojima doduše radi, ali nije i stvarno u upotrebi. To može titrajno opterećenje bitno smanjiti za vrijeme cijelog radnog perioda.

Utvrđite dodatne sigurnosne mjere za zaštitu poslužioca protiv djelovanja titranja kao npr.: Održavanje električnih alata i upotrebljenih alata, održavanje topline ruku, organizacija i radne postupke.

⚠ UPOZORENJE! Pročitajte molimo sve sigurnosna upozorenja i upute. Ako se ne bi poštivale napomene o sigurnosti i upute to bi moglo uzrokovati strujni udar, požar i/ili teške ozljede.
Sačuvajte sve napomene o sigurnosti i upute za buduću primjenu.

⚠ SIGURNOSNE UPUTE ZA KRUŽNE PILE

Tehnologija rezanja

⚠ OPASNOST: Rukama ne zalazite u područje rezanja i do lista pile. Držite s obje ruke dodatnu ručku ili kućiče motora. Ako se obim rukama drži kružna pila, list pile ih ne može ozlijediti.

Ne stavljajte prste ispod izratka. Ispod izratka štitnik ih ne može zaštititi od lista pile.

Prilagodite dubinu rezanja debljini izratka. Ispod izratka treba biti vidljiv manje od jedan puni zub.

Piljenje izradak nikada ne držite u ruku ma ili preko nogu. Izradak osigurajte na stabilnoj podlozi. Važno je da izradak bude dobro pričvršćen, kako bi se na minimum smanjile opasnosti od dodira s tijelom, uklještenje lista pile ili gubitak kontrole nad njim.

Držite spravu na izoliranim držačkim površinama kada izvodite radove kod kojih rezački alat može pogoditi skrivene vodove struje. Kontaktom s vodovima pod naponom, pod napon će se staviti i metalni dijelovi uređaja, što može dovesti do električnog udara.

Kod uzdužnog rezanja koristite uvijek graničnik ili ravnu vodilicu ruba. Time se poboljšava točnost rezanja i smanjuje mogućnost uklještenja lista pile.

Koristite uvijek listove pile odgovarajuće veličine i odgovarajućeg steznog otvora (npr. zvjezdastog ili okruglog). Listovi pile koji ne odgovaraju montažnim dijelovima pile, okretat će se neokruglo i mogu dovesti do gubitka kontrole nad pilom.

Ne koristite nikada oštećene ili pogrešne podložne pločice lista pile ili vijke. Podložne pločice lista pile i vijci specijalno su konstruirani za vašu pilu, za postizanje optimalnog učinka i radne sigurnosti.

Uzroci i izbjegavanje povratnog udara:

- povratni udar je neočekivana reakcija lista pile koji se je uklještio, zaglavio ili je loše uravnotežen, što može dovesti do toga da se list pile može nekontrolirano izvući iz izratka i pomaknuti u smjeru osobe koja radi s uređajem;

- ako bi se list pile uklještio, zaglavio ili blokirao u rasporu piljenja koji se zatvara i ako bi sila motora povratno udarila u uređaj, u smjeru osobe koja s njim radi;

- ako bi se list pile u rezu iskrenuo ili pogrešno izravnao, mogli bi zubi stražnjeg ruba lista pile zahvatiti površinu izratka, zbog čega bi list pile iskočio iz raspora pile i odskočio natrag u smjeru osobe koja radi s pilom.

Povratni udar je posljedica pogrešne ili neispravne uporabe pile. On se može spriječiti prikladnim mjerama opreza, koje su opisane u daljnjem tekstu.

Držite pilu čvrsto s obje ruke i postavite vaše ruke u položaj u kojem se mogu podnijeti sile povratnog udara. Postavite se uvijek bočno uz list pile, a nikada tako da list pile bude u liniji s vašim tijelom. Kod povratnog udara kružna pila bi mogla odskočiti natrag, a osoba koja radi s kružnom pilom ne bi mogla savladati sile povratnog udara ako se ne bi poduzele prikladne mjere.

Ukoliko bi se list pile zaglavio ili bi se piljenje prekinulo iz nekog drugog razloga, otpustite prekidač za uključivanje za uključivanje-isključivanje i držite pilu mirno u materijalu sve dok se list pile potpuno ne zaustavi. Ne pokušavajte pilu vaditi iz izratka ili je potezati u natrag, sve dok se list pile pomiče ili bi se mogao dogoditi povratni udar. Pronađite uzrok uklještenja pile i otklonite ga prikladnim mjerama.

Ako pilu koja se je zaglavila u izratku želite ponovno pokrenuti, centrirajte list pile u rasporu piljenja i provjerite da zubi pile nisu zahvatili izradak. Ako bi se uklještio list pile, on se može pomaknuti iz izratka ili pokušati povratni udar ako će se pila ponovno pokrenuti.

Velike ploče poduprite, kako bi se izbjegla opasnost od povratnog udara zbog uklještenja lista pile. Velike ploče se mogu saviti pod djelovanjem vlastite težine. Ploče se moraju osloniti na obje strane, kako blizu raspora piljenja, tako i na rubu.

Ne koristite tupe ili oštećene listove pile. Listovi pile s tupim ili pogrešno izravnanim zubima, uzrokuju zbog uskog raspora piljenja povećano trenje, uklještenje lista pile i povratni udar.

Prije piljenja ustanovite dubine rezanja i namještanja kuća rezanja. Ako bi se tijekom piljenja promijenila podešavanja, list pile bi se mogao uklještit ili dovesti do povratnog udara.

Budite posebno oprezni ako izvodite "prorezivanje" u skrivenom području, npr. u postojećem zidu. Zarezani list pile bi se kod piljenja u skrivenim objektima mogao blokirati i uzrokovati povratni udar.

Funkcija donjeg sigurnosnog poklopca

Prije svake uporabe provjerite da li donji štitnik besprijekorno zatvara. Ne koristite pilu ako donji štitnik nije slobodno pomičan i ako se odmah ne zatvara.

Nikada ne uklješite niti učvrstite donji štitnik u otvorenom položaju. Ako bi pila nehотиčno pala na pod, donji štitnik bi se mogao savinuti. Otvorite štitnik poteznom polugom i provjerite da je slobodno pomičan i da kod svih kutova i dubina rezanja ne dodiruje list pile niti ostale dijelove.

Provjerite djelovanje opruge za donji štitnik. Uređaj popravite prije uporabe ako donji štitnik i opruga ne djeluju besprijekorno. Oštećeni dijelovi, ljepljive naslage ili nakupine strugotine mogli bi dovesti do usporenog kretanja donjeg štitnika.

Donji štitnik otvarajte rukom samo kod posebnih rezova, kao npr. "rezanje prorezivanjem i kutni rezovi". Donji štitnik otvorite polugom za potezanje natrag i oslobodite je čim list pile prođe u izradak. Kod svih drugih radova piljenja donji štitnik mora automatski raditi.

Pilu ne odlažite na radni stol ili pod, ako donji štitnik ne pokriva list pile. Nezaštićeni list pile koji se zaustavlja pod inercijom, mogao bi pilu pomaknuti suprotno smjeru rezanja i zarezati sve što mu se nađe na putu. Kod toga treba paziti na vrijeme zaustavljanja lista pile pod djelovanjem inercije.

OSTALE SIGURNOSNE I RADNE UPUTE

Prije svih radova na stroju izvaditi bateriju za zamjenu.

Istrošene baterije za zamjenu ne bacati u vatru ili u kućno smeće. Milwaukee nudi mogućnost uklanjanja starih baterija odgovarajuće okolini; upitajte molimo Vašeg stručnog trgovca.

Baterije za zamjenu ne čuvati skupa sa metalnim predmetima (opasnost od kratkog spoja).

Baterije sistema C 18 puniti samo sa uređajem za punjenje sistema C 18. Ne puniti baterije iz drugih sistema.

Baterije za zamjenu i uređaje za punjenje ne otvarati i čuvati ih samo u suhim prostorijama. Čuvati protiv vlage.

Listovi pile, koji ne odgovaraju karakterističnim podacima u ovoj uputi o upotrebi, se ne smiju upotrebljavati.

Nosite zaštitu za sluh. Djelovanje buke može dovesti do gubitka sluha.

Ne upotrebljavati brusne ploče!

Ako se transparentna zaštita lista pile otkine ili polomi, ona se mora odmah od strane autorizirane stručne radionice promijeniti. Sa defektnom zaštitom lista pile ili ako ona nedeostaje, se stroj ne smije poganjati.

PROPISNIA UPOTREBA

Metalna pila je upotrebljiva za piljenje ravnolinijskih rezova u raznim vrstama metala kao npr. metalnih profila (UniStrut), cijevi, profila za gipsploče, kanala za kablove, aluminijske profile, limove i sl.

Ovaj aparat se smije upotrijebiti samo u određene svrhe kao što je navedeno.

CE-IZJAVA KONFORMNOSTI

Izjavljujemo na osobnu odgovornost, da je proizvod opisan pod "Tehnički podaci", sukladan sa svim relevantnim propisima smjernice 2011/65/EU (RoHS), 2014/30/EU, 2006/42/EC i sa sljedećim harmoniziranim normativnim dokumentima:

EN 60745-1:2009 + A11:2010
EN 60745-2-5:2010
EN 55014-1:2006 + A1:2009 + A2:2011
EN 55014-2:1997 + A1:2001 + A2:2008
EN 50581:2012

Winnenden, 2016-03-29

Alexander Krug

Alexander Krug
Managing Director



Ovlašten za formiranje tehničke dokumentacije.

Techtronic Industries GmbH
Max-Eyth-Strasse 10
71364 Winnenden
Germany

BATERIJE

Poštivati specijalne upute za Milwaukee C 18 akumulatora u uputi o rukovanju napravom za punjenje.

Baterije koje duže vremena nisu korištene, prije upotrebe napuniti.

Temperatura od preko 50°C smanjuje učinak baterija. Duže zagrijavanje od strane sunca ili grijanja izbjeći.

Priključne kontakte na uređaju za punjenje i baterijama držati čistima.

Za optimalni vijek trajanja se akumulatori poslije upotrebe moraju sasvim napuniti.

Za što moguće duži vijek trajanja, akumulatori se nakon punjenja moraju odstraniti iz punjača.

Kod skladištenja akumulatora duže od 30 dana:

Akumulator skladištiti na suhom kod ca. 27°C.
Akumulator skladištiti kod ca. 30%-50% stanja punjenja.
Akumulator ponovno napuniti svakih 6 mjeseci.

ZAŠTITA OD PREOPTEREĆENJA AKUMULATORA

Kod preopterećenja akumulatora kroz visoku potrošnju struje, npr. ekstremno visoki okretni momenti, zaglavljenje svrdla, naglo zaustavljanje ili kratki spoj, elektroalat brui 2 sekunde dugo i isključuje se samostalno.

Za ponovno uključivanje ispuštiti otkopac prekidača i zatim ponovno uključiti.

Pod ekstremnim opterećenjima se akumulator može jako zagrijati. U ovom slučaju se akumulator isključuje. Akumulator zatim utaknuti u punjač kako bi se ovaj ponovno napunio i zatim aktivirao.

TRANSPORT LITIJSKIH IONSKIH BATERIJA

Litijske-ionske baterije spadaju pod zakonske odredbe u svezi transporta opasne robe.

Prijevoz ovih baterija mora uslijediti uz poštivanje lokalnih, nacionalnih i internacionalnih propisa i odredaba.

- Korisnici mogu bez ustručavanja ove baterije transportirati po cestama.
- Komercijalni transport litijsko-ionskih baterija od strane transportnih poduzeća spada pod odredbe o transportu opasne robe. Otpremničke pripreme i transport smiju izvoditi isključivo odgovarajuće školovane osobe. Kompletni proces se mora pratiti na stručan način.

Kod transporta baterija se moraju poštivati slijedeće točke:

- Uvjerite se da su kontakti zaštićeni i izolirani kako bi se izbjegli kratki spojevi.
- Pazite na to, da blok baterija unutar pakiranja ne može proklizavati.
- Oštećene ili iscurjele baterije se ne smiju transportirati.

U svezi ostalih uputa obratite se vašem prijevoznom poduzeću.

RADNE UPUTE

Kod preopterećenja motora se stroj automatski isključuje. Nakon hlađenja ponovno pritisnuti gumb za preopterećenje i stroj opet uključiti. Kod čestog isključivanja od strane zaštite od preopterećenja, reducirati tlak rezanja ili dubinu rezanja.

ODRŽAVANJE

Prije priključivanja ili uklanjanja lista pile osigurajte da je alat iskopčan iz izvora za napajanje.

Aparat i zaštitni uređaj čistite jednom suhom krpom. Neka sredstva za čišćenje oštećuju plastiku ili druge izolirane dijelove. Aparat čuvati čistim i suhim kao i bez iscurjelog ulja i masti. Provjerite funkciju zaštitnih kapa. Redovito održavanje i čišćenje se brinu za dugi vijek trajanja i sigurno rukovanje.

Primijeniti samo Milwaukee opremu i Milwaukee rezervne dijelove. Sastavne dijelove, čija zamjena nije opisana, dati zamijeniti kod jedne od Milwaukee servisnih službi (poštivati brošuru Garancija/Adrese servisa).

Po potrebi se crtež pojedinih dijelova aparata uz navođenje podatka o tipu stroja i šestznamenastog broja na pločici snage može zatražiti kod vašeg servisa ili direktno kod Techtronic Industries GmbH, Max-Eyth-Strasse 10, 71364 Winnenden, Njemačka.

SIMBOLI



PAŽNJA! UPOZORENJE! OPASNOST!



Prije svih radova na stroju izvaditi bateriju za zamjenu.



Molimo da pažljivo pročitate uputu o upotrebi prije puštanja u rad.



Kod radova na stroju uvijek nositi zaštitne naočale.



Električni uređaji se ne smiju zbrinjavati skupa sa kućnim smećem. Električni uređaji se moraju skupljati odvojeno i predati na zbrinjavanje primjereno okolišu jednom od pogona za iskorišćavanje. Raspitajte se kod mjesnih vlasti ili kod stručnog trgovca u svezi gospodarstva za recikliranje i mjesta skupljanja.



Oznaka-CE



Nacionalni znak konformnosti Ukrajina



EurAsian znak konformnosti.

TEHNIŠKIE DATI

METALA ZAJČIS

HD 18 MS

Izlaides numurs	4312 58 02... ..000001-999999
Apgriezieni tukšgaitā	3600 min ⁻¹
Zāģa ripas ārējais diametrs x iekšējais diametrs	135 x 20 mm
Maks. griešanas jauda	
Tērauda plāksnē	1,6 mm
Caurule	∅ 50 mm
Profilis	51 mm
Akumulātorā spriegums	18 V
Svars atbilstoši EPTA -Procedure 01/2003	2,6 kg

Trokšņu un vibrāciju informācija

Vērtības, kas noteiktas saskaņā ar EN 60 745.

Instrumenta tipiskais pēc A vērtētais trokšņa spiediena līmenis parasti sastāda

Trokšņa spiediena līmenis (Nedrošība K=3dB(A))	75 dB (A)
Trokšņa jaudas līmenis (Nedrošība K=3dB(A))	86 dB (A)

Nēsāt trokšņa slāpētāju!

Svārstību kopējā vērtība (Trīs virzienu vektoru summa) tiek noteikta atbilstoši EN 60745.

svārstību emisijas vērtība a _h	< 2,5 m/s ²
Nedrošība K=	1,5 m/s ²

UZMANĪBU

Instrukcijā norādītā svārstību robežvērtība ir izmērīta mērījumu procesā, kas veikts atbilstoši standartam EN 60745, un to var izmantot elektroinstrumentu savstarpējai salīdzināšanai. Tā ir piemērota arī svārstību noslogojuma pagaidu izvērtēšanai.

Norādītā svārstību robežvērtība ir reprezentatīva elektroinstrumenta pamata pielietojuma jomām. Tomēr, ja elektroinstrumentus tiek pielietots citās jomās, papildus izmantojot neatbilstošus elektroinstrumentus vai pēc nepietiekamas tehniskās apkopes, tad svārstību robežvērtība var atšķirties. Tas var ievērojami palielināt svārstību noslogojumu visa darba laikā.

Precīzai svārstību noslogojuma noteikšanai, ir jāņem vērā arī laiks, kad ierīces ir izslēgta vai arī ir ieslēgta, tomēr faktiski netiek lietota. Tas var ievērojami samazināt svārstību noslogojumu visa darba laikā.

Integrējiet papildus drošības pasākumus pret svārstību ietekmi lietotājam, piemēram: elektroinstrumentu un darba instrumentu tehniskā apkope, roku siltuma uzturēšana, darba procesu organizācija.

▲ BRĪDINĀJUMS! Izlasiet visus drošības brīdinājumus un instrukcijas. Seit sniegto drošības noteikumu un norādījumu neievērošana var izraisīt aizdegšanos un būt par cēloni elektriskajam triecienam vai nopietnam savainojumam. **Pēc izlasīšanas uzglabājiet šos noteikumus turpmākai izmantošanai.**

▲ RIPZĀGA DROŠĪBAS NORĀDES

Zāģēšanas process

▲ BĪSTAMI! Neturiet rokas zāia asmens tuvumā vai uz tā. Ar otru roku turiet instrumentu aiz papildroktura vai elektrodzincja korpusa. Turot ripzāli ar abām rokām, rotjošais asmens tās nevar savainot.

Neturiet rokas zem zāicjamā priekšmeta. Asmens aizsargs nevar pasargāt jūsu rokas no savainojumiem, ja tās atrodas zem zāicjamā priekšmeta.

Izvēlieties zāicšanas dziļumu, kas atbilst zāicjamā priekšmeta biežumam. Zāicšanas dziļumam jābūt tik lielam, lai zem zāicjamā priekšmeta redzamās asmens daļas augstums būtu mazāks par asmens zobu augstumu.

Nekad neturiet zāicjamo priekšmetu, stingri saspiežot rokā vai atbalstot ar kāju. Novietojiet zāicjamo priekšmetu uz stabila pamata. Ir svarīgi, lai zāicjamais priekšmets būtu labi nostiprināts, jo tas palīdz izvairīties no iermeņa saskaršanās ar zāia asmeni, zāia asmens iestrēgšanas zāicjumā, kā arī no kontroles zaudēšanas pār zāicšanas procesu.

Leļci turiet aiz izolētiem rokturiem, ja veicat darbus, kuros griešanas darbiem izmantojamais instruments var skart paslēptus elektrovadus. Asmenim saskaroties ar vadiem, kuriem tiek pievadīts fāzes spriegums, šis spriegums nonāk arī uz instrumenta korpusa strāvu vadotajām daļām un var izraisīt elektrisko triecienu.

Veicot zāicšanu gareniskā virzienā, vienmēr izmantojiet paralēlo vadotni vai vadiet instrumentu gar taisnu malu.

Ādi uzlabojas zāicjuma precizitāte un samazinās asmens iestrēgšanas iespēja zāicjumā.

Vienmēr lietojiet pareiza izmēra zāia asmeni, ar piemērotas formas centrālo atvērsumu (zvaigznes veida vai apaļu). Zāia asmeņi, kas neatbilst zāia stiprināto elementu formai, necentrējas uz darbvirsmas un var novest pie kontroles zaudēšanas pār zāicšanas procesu.

Nelietojiet bojātas vai neatbilstošas konstrukcijas asmens piespiedcīpaplāksnes vai stiprināto skrūves. Asmens piespiedcīpaplāksnes un stiprināto skrūves ir izstrādātas īpaši jūsu zāiam, lai panāktu optimālu jaudas atdevi un augstu darba drošību.

Atsitienu cēloņi un tā novēršana:

- atsitiens ir iestrēgšana, iespējama, ja nepareizi orientēta zāia asmens pķkōda reakcija, kuras rezultātā zāiis var tikt nekontrolējami mests augšup un pārvietoties prom no zāicjamā priekšmeta;

- ja zāia asmens pķkōdi iestrēgst vai tiek iespiests zāicjumā, dzinēja spēks izraisa instrumenta pārvietošanas lietotāja virzienā;

- ja zāia asmens zāicjumā tiek pagriezts vai nepareizi orientēts, zāia asmens aizmugurējā malā izvietotie zobi var aizīerties aiz zāicjamā priekšmeta virsmas, kā rezultātā asmens var tikt izsviests no zāicjuma, liekot zāiam pārvietoties lietotāja virzienā.

Atsitiens ir zāia kiūdainas vai nepareizas lietošanas sekas. No tā var izvairīties, veicot zināmus piesardzības pasākumus, kas aprakstīti turpmākajā izklāstā.

Stingri turiet zāii ar abām rokām, novietojot rokas tādā stāvoklī, lai varētu pretoties reaktīvajam spēkam, kas rodas atsitienu brīdī. Vienmēr stāviet sāpus no zāia asmens, nepieļaujot, lai asmens plakne atrastos uz vienas taisnes ar kādu no iermeņa daļām. Atsitienu brīdī zāiis var pārvietoties atpakaļvirzienā, tomēr lietotājs spēj veiksmīgi tikt galā ar reaktīvo spēku, veicot zināmus piesardzības pasākumus.

Ja zāia asmens tiek iespiests zāiņumā vai zāiņdāna tiek pārtraukta kāda cita iemesla dēļ, atļaidiet instrumenta ieslēdzēju un mierīgi turiet zāii, līdz tas pilnīgi apstājas. Nekad neņmiņiet izoemt zāia asmeni no zāiņuma vai vilkt instrumentu atpakaļvirzienā laikā, kamēr asmens atrodas kustībā, jo tas var izsaukt atsitieni. Atrodiet asmens iespiešanas cēloni, un to novērsiet, veicot atbilstošus pasākumus.

Ja vclaties iedarbināt zāii, kura asmens atrodas zāiņumā, iecentrējiet asmeni attiecībā pret zāiņumu un pārliecinieties, ka tā zobi nav ievēruoies zāiņamajā priekšmetā. Ja zāia asmens ir iespiests vai ielēgries, izvelciet to no zāiņuma, pretējā gadījumā zāia iedarbināšanas brīdī var notikt atsitieni.

Ja tiek zāiņtas liela izmēra plāksnes, atbalstiet tās, dādi samazinot atsitiena risku, asmenim tiekot iespiestam zāiņumā. Liela izmēra plāksnes zāiņdānas laikā var izliekties sava svāra iespaidā. Tāpēc plāksnēm jābūt atbalstītām abās pusēs zāiņumam, kā arī malas tuvumā.

Neizmantojiet neasus vai bojātus zāia asmeoūs. Zāia asmeoī ar neasiem vai nepareizi izliektiem zobiem veido oāuru zāiņumu, kas rada pastiprinātu berzi, var izsaukt zāia asmens iespieoānu zāiņumā un izraisīt atsitieni.

Pirms zāiņdānas stingri pieskrūvcējiet stiprināoās skrūves, ar kurām tiek fiksēts zāiņdānas dziūums un leoīs. Ja zāiņdānas laikā patvaīgi izmainās zāia iestādījumi, tas var izsaukt asmens iespieoānu zāiņumā un izraisīt atsitieni.

Ievērojiet īpašu piesardzību, veicot zāiņdānu ar asmens "iegremdēoānu" skatienam slēptās vietās, piemēram, sienu tuvumā. Iegremdētais asmens zāiņdānas laikā var iestrēgt slēptajā objektā, izraisot atsitieni.

Apakšējā aizsargpārsega darbība

Ik reizi pirms zāia lietošanas pārbaudiet, vai apakšējais asmens aizsargs netraucēti aizveras. Nelietojiet zāii, ja apakšējā aizsarga pārvietoānās ir traucēta un tas neaizveras pilnīgi un uzreiz. Nekādā gadījumā neņmiņiet piesiet vai citādi nostiprināt aizsargu atvērta stāvoklī. Ja zāiis nejaudā nokrīt uz grīdas, apakšējais aizsargs var saliekties. Ar sviras palīdzību atveriet aizsargu un pārliecinieties, ka tas brīvi pārvietojas, neskarot zāia asmeni vai citas daīas pie jebkura zāiņdānas leoīa un dziūuma.

Pārbaudiet, vai funkcioņ apakšējā aizsarga atspere. Ja apakšējais aizsargs un/vai tā atspere funkcioņ ar traucējumiem, pirms instrumenta lietošanas veiciet tā tehnisko apkalpoānu. Aizsarga pārvietoānos var traucēt bojātas daīas, gultoos sacietējuši smērcviela vai skaidu uzkrāoānās.

Atveriet apakšējo aizsargu ar roku vienīgi īpašu darba operāciju laikā, piemēram, veicot zāiņdānu ar asmens "iegremdēoānu vai veidojot slīpos zāiņumus". Dādā gadījumā ar sviras palīdzību atveriet aizsargu un tad atļaidiet sviru, līdzko zāia asmens iegrimst zāiņamajā priekšmetā. Jebkuras citas zāiņdānas operācijas laikā apakšējam aizsargam jāatveras un jāaizveras automātiski.

Neovietojiet zāii uz darbaldā vai uz grīdas, ja apakšējais aizsargs nenosedz zāia asmeni. Nenosedgts asmens, kas pcc instrumenta izslēgānas turpina griezties, pārvieto zāii pretēji zāiņdānas virzienam, pārzāiņcot visu, kas gadās ceļā. Izslēdzot instrumentu, oemiet vgrā zāia asmens izskrējienu laiku.

CITAS DROŠĪBAS UN DARBA INSTRUKCIJAS

Pirms mašīnai veikt jebkāda veida apkopes darbus, ir jāizņem ārā akumulātors.

Izmantotos akumulārus nedrīkst mest ugunī vai parastajos atkritumos. Firma Milwaukee piedāvā iespēju vecos akumulātorus savākt apkārtējo vidi saudzējošā veidā; jautājiet specializētā veikalā.

Akumulātorus nav ieteicams glabāt kopā ar metāla priekšmetiem (iespējams īsslēgums).

System C 18 sistēmas akumulātorus lādēt tikai ar System C 18 sistēmas lādētājiem. Nedrīkst lādēt citus akumulātorus no citām sistēmām.

Akumulātorus un lādētājus nedrīkst taisīt vaļā un tie jāuzglabā sausās telpās.

Zāgu ripas, kas neatbilst šinī lietošanas pamācībā minētajiem datiem, nedrīkst izmantot.

Nēsājiet ausu aizsargus. Trokšņa iedarbības rezultātā var rasties dzirdes traucējumi.

Nedrīkst lietot slīppripas!

Ja caurspīdīgais zāgplātnes aizsargs saplīst vai salūzt, tad to nekavējoties jāatjauno autorizētā specializētā darbnīcā. Ar bojātu zāgplātnes aizsargu vai bez zāgplātnes aizsarga darbs ar mašīnu ir aizliegts.

NOTEIKUMIEM ATBILSTOŠS IZMANTOJUMS

Metāla zāgīs ir izmantojams, lai veiktu taisnus zāgējumus dažāda veida metālos, kā piem., metāla profili (UniStrut), caurules, sauso būvju statņi, kabelkanāli, alumīnija profili, skārdi u.c.

Šo instrumentu drīkst izmantot tikai saskaņā ar minētajiem lietošanas noteikumiem.

ATBILSTĪBA CE NORMĀM

Mēs apliecinām, ka produkts, kura tehniskie parametri aprakstīti "tehnisko datu lapā", pilnībā atbilst prasībām saskaņā ar direktīvām 2011/65/EU (RoHS), 2014/30/ES, 2006/42/EK un attiecīgajiem harmonizētajiem normatīvajiem dokumentiem:

EN 60745-1:2009 + A1:2010
EN 60745-2-5:2010
EN 55014-1:2006 + A1:2009 + A2:2011
EN 55014-2:1997 + A1:2001 + A2:2008
EN 50581:2012

Winnenden, 2016-03-29

Alexander Krug
Managing Director



Pilnvarotais tehniskās dokumentācijas sastādīšanā.

Techtronic Industries GmbH
Max-Eyth-Straße 10
71364 Winnenden
Germany

AKUMULĀTORI

Jāievēro speciālās norādes attiecībā uz firmas Milwaukee 18 V akumulātoriem, kas sniegtas lietošanas pamācībā.

Akumulātori, kas ilgāku laiku nav izmantoti, pirms lietošanas jāuzlādē.

Pie temperatūras, kas pārsniedz 50°C, akumulātoru darbspēja tiek negatīvi ietekmēta. Vajag izvairīties no ilgākas saules un karstuma iedarbības.

Lādētāja un akumulātoru pievienojuma kontakti jāuztur tīri.

Lai baterijām būtu optimāls mūžs, pēc lietošanas bateriju bloks pilnībā jāuzlādē.

Lai akumulātori kalpotu pēc iespējas ilgāku laiku, tos pēc uzlādes ieteicams atvienot no lādētāj ierīces.

Akumulātoru uzglabāšana ilgāk kā 30 dienas: uzglabāt akumulātoru pie aptuveni 27° C un sausā vietā. Uzglabāt akumulātoru uzlādes stāvoklī aptuveni pie 30%-50%. Uzlādēt akumulātoru visus 6 mēnešus no jauna.

AKUMULĀTORA AIZSARDŽĪBA PRET PĀRSLOGOJUMU

Akumulātoru pārslogojuma gadījumos, esot ļoti lielam elektroenerģijas patēriņam, piem., ārkārtīgi augsts griezes moments, urbja iekeršanās, pēkšņa apstāšanās vai īssavienojums, elektriskais darbaīks 2 sekundes rūc, un pats izslēdzas.

Lai to atkal ieslēgtu, atļaidiet ieslēgšanas pogu un tad to ieslēdziet no jauna. Esot ārkārtīgi augstam noslogojumam, akumulātors var spēcīgi sakarst. Šādā gadījumā akumulātors atslēdzas. Akumulātoru var ievietot lādētājā, lai to atkal uzlādētu un aktivizētu.

LITJA JONU AKUMULĀTORU TRANSPORTĒŠANA

Uz litija jonu akumulātoriem attiecas noteikumi par bīstamo kravu pārvadāšanu.

Šo akumulātoru transportēšana jāveic saskaņā ar vietējiem, valsts un starptautiskajiem normatīvajiem aktiem un noteikumiem.

- Patērētāja darbības, pārvadājot šos akumulātorus pa autoceļiem, nav reglamentētas.
- Uz litija jonu akumulātoru komerciālu transportēšanu, ko veic ekspedīcijas uzņēmums, attiecas bīstamo kravu pārvadāšanas noteikumi. Sagatavošanas darbus un transportēšanu drīkst veikt tikai atbilstoši apmācīts personāls. Viss process jāvada profesionāli.

Veicot akumulātoru transportēšanu, jāievēro:

- Pārliecinieties, ka kontakti ir aizsargāti un izolēti, lai izvairītos no īssavienojumiem.
- Pārliecinieties, ka akumulātors iepakojumā nevar paslīdēt.
- Bojātus vai tekošus akumulātorus nedrīkst transportēt.

Plašāku informāciju Jūs varat saņemt no ekspedīcijas uzņēmuma.

DARBA NORĀDES

Pie motora pārslodzes, mašīna automātiski atslēdzas. Pēc atdzīšanas pārslodzes pogu vajag iespiest atkal atpakaļ un mašīnu vēlreiz iedarbināt. Ja mašīna pārāk bieži atslēdzas pārslodzes dēļ, vajag samazināt griešanas spiedienu vai dziļumu.

Pirms zāga asmens pievienošanas vai noņemšanas noteikti atslēdziet instrumentu no strāvas padeves.

Iekārtu un aizsardzības aprīkojumu jātīra ar tīru un sausu lupatīņu. Atsevišķi tīrīšanas līdzekļi var sabojāt plastmasas un citas izolējošās detaļas. Vienmēr rūpējieties, lai iekārta būtu sausa un tīra, kā arī lai uz tās nebūtu iztecējušās smērcvielas paliekas. Pārbaudiet, vai aizsargaprīkojums darbojas pareizi. Regulāra iekārtas apkope un tīrīšana nodrošina tās ilgmužību un drošu ekspluatāciju.

Izmantojiet tikai firmu Milwaukee piederumus un firmas Milwaukee rezerves daļas. Lieciet nomainīt detaļas, kuru nomaiņa nav aprakstīta, kādā no firmu Milwaukee klientu apkalpošanas servisiem. (Skat. brošūru "Garantija/klientu apkalpošanas serviss".)

Pēc pieprasījuma, Jūsu Klientu apkalpošanas centrā vai pie Technotronic Industries GmbH, Max-Eyth-Straße 10, 71364 Winnenden, Vācijā, ir iespējams saņemt iekārtas montāžas rasējumu, iepriekš norādot iekārtas modeli un sērijas numuru, kas atrodas uz datu plāksnītes un sastāv no šiem simboliem.

SIMBOLI



UZMANĪBU! BĪSTAMI!



Pirms mašīnai veikt jebkāda veida apkopes darbus, ir jāizņem ārā akumulātors.



Pirms sākt lietot instrumentu, lūdzu, izlasiet lietošanas pamācību.



Strādājot ar mašīnu, vienmēr jānēsā aizsargbrilles.



Elektroiekārtas nedrīkst izmest kopā ar sadzīves atkritumiem. Elektriskās un elektroniskās iekārtas ir jāsavāc atsevišķi un jānodod pārstrādes uzņēmumam, kas no tām atbrīvosies dabai draudzīgā veidā. Meklējiet atzīmētās pārstrādes poligonus un savākšanas punktus vietējās pārvaldes iestādēs vai pie preces pārdevēja.



CE marķējums



Ukrainas nacionālais atbilstības simbols



EurAsian atbilstības marķējums.

TECHNINIAI DUOMENYS	METALO PJŪKLU	HD 18 MS
Produkto numeris	4312 58 02...	..000001-999999
Sūkių skaičius laisva eiga.....	3600 min ⁻¹	
Pjovimo disko Ø x grežinio Ø.....	135 x 20 mm	
Maks. pjovimo galia		
plieno plokštėse.....	1,6 mm	
vamzdžiai.....	Ø 50 mm	
profiliai	51 mm	
keičiamo akumulatoriaus įtampa	18 V	
Prietaiso svoris įvertintas pagal EPTA 2003/01 tyrimų metodiką.....	2,6 kg	

Informacija apie triukšmą/vibraciją

Vertės matuotos pagal EN 60 745

Prietaisui būdingas garso slėgio lygis, koreguotas pagal A dažnio charakteristiką,

Garso slėgio lygis (Paklaida K=3dB(A)) 75 dB (A)

Garso galios lygis (Paklaida K=3dB(A)) 86 dB (A)

Nešioti klausos apsauginės priemonės!

Bendroji svyravimų reikšmė (trijų krypčių vektorių suma), nustatyta remiantis EN 60745.

Vibravimų emisijos reikšmė a_w..... < 2,5 m/s²

Paklaida K=..... 1,5 m/s²

DĖMESIO

Instrukcijoje nurodyta svyravimų ribinė vertė yra išmatuota remiantis standartu EN 60745; ji gali būti naudojama keliems elektriniams instrumentams palyginti. Ji taikoma ir laikinai įvertinti svyravimų apkrovą.

Nurodyta svyravimų ribinė vertė yra taikoma pagrindinėse elektrinio instrumento naudojimo srityse. Svyravimų ribinė vertė gali skirtis naudojant elektrinį instrumentą kitose srityse, papildomai naudojant netinkamus elektrinius instrumentus arba juos nepakankamai techniškai prižiūrint. Dėl to viso darbo metu gali žymiai padidėti svyravimų apkrova.

Siekiant tiksliai nustatyti svyravimų apkrovą, būtina atsižvelgti ir į laikotarpį, kai įrenginys yra išjungtas arba įjungtas, tačiau faktiškai nenaudojamas. Dėl to viso darbo metu gali žymiai sumažėti svyravimų apkrova.

Siekiant apsaugoti vartotojus nuo svyravimo įtakos naudojamos papildomos saugos priemonės, pavyzdžiui, elektrinių darbo instrumentų techninė priežiūra, rankų šilumos palaikymas, darbo procesų organizavimas.

⚠️ ĮSPĖJIMAS! Perskaitykite visus saugos nurodymus ir instrukcijas. Jei nepaisysite žemiau pateiktų saugos nuorodų ir reikalavimų, gali trenkti elektros smūgis, kilti gaisras ir/arba galite sunkiai susižaloti arba sužaloti kitus asmenis. **Išsaugokite šias saugos nuorodas ir reikalavimus, kad ir ateityje galėtumėte jais pasinaudoti.**

⚠️ DISKINIO PJŪKLO SAUGUMO NURODYMAI

Pjovimo eiga

⚠️ PAVOJUS: Nekiokite rankø prie pjūvio vietos ir prie pjūklø disko. Antrąja ranka laikykite priekinę rankenà arba variklio korpusà. Jei abiem rankom laikysite pjūklà, pjūklø diskas jø negalës supeisti.

Nekiokite rankø po apdirbamu ruoðiniu. Apsauginis gaubtas neapsaugos jūšø nuo ruoðinio apaëioje iðilindusio pjūklø disko.

Pjovimo gylà tinkamai nustatykite pagal ruoðinio storà. Ruoðinio apaëioje turi matytis ðiek tiek maþiau, nei per visà pjūklø danties aukôtà, iðilindusi disko dalis.

Pjaunamo ruoðinio niekada nelaikykite rankose ar pasidëjæ ant kofens. Padëkite ruoðinà ant stabilaus pagrindo. Labai svarbu ruoðinà tinkamai àtvirtinti, kad iðvengtumëte kũno kontakto su disku, neupstrigtø pjūklø diskas ar neprarastumëte kontrolës.

Dirbdami laikykite prietaisà už izoliuotø vietø, kuriose pjovimo įrenginys pats galëtų liesti paslëptus laidus. Dël kontakto su laidininku, kuriuo teka elektros srovë, metalinëse prietaiso dalyse atsiranda àtampa ir naudotojas gali gauti elektros smūgà.

Atlikdami iðilginà pjūvà, visada naudokite lygiagreèià atramà arba krepianëiàj à liniuotæ. Tuomet pjausite tiksliau ir sumapinsite galimybæ pjūklui àstrigti.

Naudokite tik tinkamo dydþio diskus. Pjūklø disko skylë turi bũti reikiamo dydþio ir formos (pvz., pvaigpdës formos arba apskrita). Pjūklø diskai, kurie neatitinka pjūklø

tvirtinimo detaljø formos, sukasi ekscentriðkai, todël yra prarandama pjūvio kontrolë.

Niekada nenaudokite papeistø ar netinkamø pjūklø disko tarpinio poverplës ir varþtø. Pjūklø disko tarpinës poverplës ir varþtai buvo sukonstruoti specialiai Jūsø pjūklui, kad bûtø garantuoti optimalūs rezultatai ir saugus darbas.

Atatrankos priepastys ir bũdai jos iðvengti:

- Atatranka yra staigi pjūklø reakcija, atsirandanti tuomet, kai pjūklø diskas upkliúva, àstringa ar yra blogai nukreipiamas ruoðinyje, dël kurios prietaisas gali nekontroliuojamai iððokti ið ruoðinio;

- jei pjūklas yra upspaudþiamas pjūvio vietoje, upkliúva arba upsblokuoja, variklio jëga staiga sviedþia pjūklà atgal, link naudotojo;

- jei pjūklø diskas perkreipiamas ar neteisingsi nukreipiamas pjūvio plyðyje, galinës disko dalies dantys gali àsikabinti à ruoðinio pavirðio, todël pjūklø diskas "iðlipa" ið pjūvio plyðio ir pjūklas staiga atòoka link naudotojo.

Atatranka yra netinkamo prietaiso naudojimo arba klaidingo valdymo rezultatas. Atitinkamos priemonës (pr. pemiau) leidþia jos iðvengti.

Pjūklà visada tvirtai suspauskite abiem rankom ir rankas laikykite tokioje padëtyje, kad galëtumëte àveikti atatrankos jëgas. Atsitraukite à ðalà nuo pjūklø disko, kad Jūsø kũnas jokiu bũdu nebûtø vienoje linijoje su pjūklø disku. Dël atatrankos pjūklas gali atòokti atgal, bet naudotojas turi galimybæ suvaldyti atatrankos jëgas, jei imsis atitinkamø priemoniø.

Jei pjūklø diskas upstringa arba jei dël kokios nors priepasties pjovimo procesas yra nutraukiamas, iðjunkite jungiklì ir pjūklø netraukite ið ruoðinio tol, kol pjūklø diskas visiðkai nesustos.Niekada nebandykite pjūklø disko iðtraukti ið ruoðinio ar pjūklà traukti atgal, kol pjūklø diskas dar sukasi, nes tai gali sàlygoti

atatrankà. Suraskite pjūklø disko strigimo priepastà ir imkitës priemoniø jai paðalinti.

Jei norite vël àjungti ruoðinyje paliktà pjūklà, centruokite pjūklø diskà pjūvio plyðyje ir patikrinkite, ar pjūklø dantys nëra àsikabinæ à ruoðinà. Jei pjūklø diskas stringa, vël àjungus pjūklà, jis gali iððokti ið ruoðinio arba gali àvykti atatranka.

Pjaudami dideles plokðtes, jas paremkite ið apaëios. Taip sumapinsite pjūklø disko strigimo ir atatrankos rizikà. Didelës plokðtës dël savo svorio iðlinksta. Plokðtes reikia atremti abiejose pusëse, t.y., ðalia pjūvio linijos ir ðalia plokðtës kraðto.

Nenaudokite atðpusiø ar papeistø pjūklø diskø. Neaðtrūs ar blogai sureguliuoti pjūklø dantys palieka siauresnà pjovimo takà, todël atsiranda per didelë trintis, atatranka, stringa pjūklø diskas.

Prieð pjaunant bũtina tvirtai ir patikimai upverþti svirtelis, kuriomis reguliuojamas pjovimo gylis ir pjūklø disko posviro kampas. Jei pjaunant keiëiasi pjūklø disko padëtis, pjūklø diskas gali àstrigti ir atsirasti atatranka.

Darydami àpjuvas sienose ar kituose nepermatuose pavirðiuose, pvz., sienose, elkitës upaè atsargiai. Àsigilinantis pjūklø diskas pjaunant gali upkliúti up paslëptø objektø ir sukelti atatrankà.

Apatinio apsauginio gaubto veikimas

Prieð kiekvienà naudojimą patikrinkite, ar apatinis apsauginis gaubtas tinkamai upsidaro. Nenaudokite pjūklø, jei apatinis apsauginis gaubtas negali laisvai judëti ir tuojau savaime neupsidaro. Niekuoomet nebandykite upfiksuoti apatinio apsauginio gaubto atidarytoje padëtyje, kà nors ten àsprausdami ar jà pririðdami. Jei pjūklas netyëia nukristø ant kieto pagrindo, gali sulinkti apatinis apsauginis gaubtas. Naudodami atidarymo rankenëlæ atidarykite jà ir àsitikinkite, kad jis juda laisvai ir nelieëia nei pjūklø disko, nei kurios nors kitos dalies, pakreipiant pjūklø diskà àvairiais kampais ir nustatant àvairø pjovimo gylà.

Patikrinkite, ar tinkamai veikia apatinio apsauginio gaubto spyruoklë. Jei apatinis apsauginis gaubtas ir spyruoklë veikia netinkamai, prieð naudojimą jiems reikia atlikti techninà profilaktikà. Dël papeistø daliø, lipniø nuosëdø arba susikaupusiø droþliø apatinis gaubtas gali sunkiau judëti.

Apatinà apsauginà gaubtà rankiniu bũdu atidaryti galima tik atliekant specialius pjūvius, pvz., panorinant pjūklà ruoðinio viduryje ar pjaunant pavertus pjūklø diskà kampu. Apatinà apsauginà gaubtà pakelkite rankenële, ir, kai tik pjūklø diskas sulàs à ruoðinà, paleiskite apatinà apsauginà gaubtà. Atliekant kitus pjovimo darbus, apatinis apsauginis gaubtas turi atsidaryti ir upsidaryti savaime.

Prieð padëtami pjūklà ant darbastalio ar ant grindø visada àsitikinkite, kad apatinis apsauginis gaubtas updengë pjūklø diskà. Jei apsauginis gaubtas neupsidaro, ið inercijos besisukantis pjūklø diskas stumia pjūklà atgal ir pjauna viskà, kas pasitaiko jo kelyje. Atminkite, kad, atleisus jungiklì, pjūklø diskas visiðkai sustoja tik po kurio laiko.

KITI SAUGUMO IR DARBO NURODYMAI

Prieð atliksdami bet kokius darbus įrenginyje, išimkite keičiamą akumuliatorių.

Sunaudotų keičiamų akumuliatorių nedeginkite ir nemeskite į buitines atliekas. "Milwaukee" siūlo tausojantį aplinką sudėvėtų keičiamų akumuliatorių tvarkymą, apie tai prekybos atstovo.

Keičiamų akumuliatorių nelaikykite kartu su metaliniais daiktais (trumpoju jungimo pavojus).

Keičiamas System C 18 sistemos akumuliatorius kraukite tik System C 18 sistemos įkrovikliais. Nekraukite kitų sistemų akumuliatorių.

Keičiamų akumuliatorių ir įkroviklių nelaikykite atviri. Laikykite tik sausoje vietoje. Saugokite nuo drėgmės.

Draudžiama naudoti pjovimo diskus, kurie neatitinka šioje naudojimo instrukcijoje nurodytų žyminių duomenų.

Nešiokite klausos apsaugos priemonės. Triukšmo poveikyje galima netekti klausos.

Nedėkite šlifavimo diskų!

Jeigu permatomas pjovimo disko uždangas įtrūkęs ar sulūžęs, autorizuotos specialiosios dirbtuvės privalo jį tuojau pat pakeisti. Eksploatuoti mašiną su apgadintu pjovimo disko uždangu arba visai be jo draudžiama.

NAUDOJIMAS PAGAL PASKIRTĮ

Metalo pjūklų galima tiesiai pjauti įvairius metalo rūšis, pvz. metalinius profiliuocius ("UniStrut"), vamzdžius, statybinis karkasus, kabelių kanalus, aliuminio profiliuocius, skardas ir t.t.

Šį prietaisą leidžiama naudoti tik pagal nurodytą paskirtį.

CE ATITIKTIES PAREIŠKIMAS

Remiantis bendrais atsakomybės reikalavimais pareiškiam, jog skyrizuje "Techniniai duomenys" aprašytas produktas atitinka visus toliau pateiktų juridinių direktyvų reikalavimus: 2011/65/EU (RoHS), 2014/30/ES, 2006/42/EB ir kitus su jomis susijusius norminius dokumentus:EN 60745-1:2009 + A11:2010 EN 60745-2-5:2010 EN 55014-1:2006 + A1:2009 + A2:2011 EN 55014-2:1997 + A1:2001 + A2:2008 EN 50581:2012

Winnenden, 2016-03-29



Alexander Krug
Managing Director



Įgaliotas parengti techninius dokumentus.

Techtronic Industries GmbH
Max-Eyth-Straße 10
71364 Winnenden
Germany

AKUMULIATORIAI

Atkreipkite dėmesį į kroviklio naudotojo vadove pateiktas specialiąsias nuorodas dėl "Milwaukee" C 18 akumuliatorių.

Ilgesnį laiką nenaudotus keičiamus akumuliatorius prieš naudojimą įkraukite.

Aukštesnė nei 50°C temperatūra mažina keičiamų akumuliatorių galią. Venkite ilgesnio saulės ar šilumos šaltinių poveikio.

Įkroviklio ir keičiamo akumulatoriaus jungiamieji kontaktai visada turi būti švarūs.

Pasinaudoję prietaisu, visiškai įkraukite akumuliatorių, kad prietaisas veiktų optimaliai ilgai.

Siekiant užtikrinti kuo ilgesnį baterijos tarnavimo laiką, reikėtų jį po atlikto įkrovimo išimti iš įkroviklio.

Bateriją laikant ilgiau nei 30 dienų, būtina atkreipti dėmesį į šias nuorodas: bateriją laikyti sausoje aplinkoje, esant apie 27 °C temperatūrai. Baterijos įkrovimo lygis turi būti nuo 30% iki 50%. Baterija pakartotinai turi būti įkraunama kas 6 mėnesius.

APSAUGA NUO AKUMULIATORIAUS PERKROVOS

Perkrovus akumuliatorių dėl itin didelės vartojamos srovės, pvz.: labai didelių apskū, staigaus stabdymo, trumpo sujungimo ar užsikirtus gražtui, elektrinis įrankis veikia dar 2 sekundes ir išsijungia automatiškai. Norint iš naujo įjungti įrankį, reikia atleisti mygtuką ir jį dar kartą įjungti. Dėl ekstremalių apkrovų akumuliatorius gali labai stipriai įkaisti. Tokiu atveju jis išsijungia. Tada akumuliatorių reikia įkišti į kroviklį, kad jis įsikrautų ir veiktų.

LIČIO JONŲ AKUMULIATORIŲ PERVEŽIMAS

Ličio jonų akumuliatoriams taikomos įstatyminės nuostatos dėl pavojingų krovinių pervežimų.

Šiuos akumuliatorius pervežti būtina laikantis vietinių, nacionalinių ir tarptautinių direktyvų ir nuostatų.

- Naudotojai šiuos akumuliatorius gali naudoti savo transporte be jokių kitų sąlygų.
- Už komercinį ličio jonų akumuliatorių pervežimą atsako ekspedicijos įmonė pagal nuostatas dėl pavojingų krovinių pervežimo. Pasiruošimo išsiųsti ir pervežimo darbus gali atlikti tik atitinkamai išmokyti asmenys. Visas procesas privalo būti prižiūrimas.

Pervežant akumuliatorius būtina laikytis šių punktų:

- Siekiant išvengti trumpųjų jungimų, įsitikinkite, kad kontaktai yra apsaugoti ir izoliuoti.
- Atkreipkite dėmesį, kad akumuliatorius pakuotės viduje neslidinėtų.
- Draudžiama pervežti pažeistus arba tekančius akumuliatorius.

Dėl detalesnių nurodymų kreipkitės į savo ekspedicijos įmonę.

NUORODOS DARBUI

Perkrovus variklį, įrenginys automatiškai išsijungia. Jam atvėsus, vėl įspauskite perkrovos išjungiklį ir įjunkite įrenginį. Jei išsijungimai dėl perkrovos dažni, sumažinkite pjovimo spaudimą arba pjūvio gylį.

TECHNINIS APTARNAVIMAS

Prieš montuodami ar nuimdami pjūklą geležtę, įrankį nuo elektros maitinimo šaltinio būtinai atjunkite.

Sausu skudurėliu nuvalykite prietaisą ir apsauginį įrenginį. Kai kurios valymo priemonės gali pažeisti plastmasę arba kitas izoliuotas detales. Laikykite prietaisą švarų ir sausą, nuvalykite ištekėjusį tepalą ir alyvą. Patikrinkite apsauginio gaubto veikimą. Reguliari techninė priežiūra ir nuolatinis valymas užtikrins ilgą eksploataavimo laiką ir saugų naudojimą.

Naudokite tik "Milwaukee" priedus ir "Milwaukee" atsarginės dalis. Dalis, kurių keitimas neaprašytas, leidžiama keisti tik "Milwaukee" klientų aptarnavimo skyriams (žr. garantiją/ klientų aptarnavimo skyrių adresus brošiūroje).

Esant poreikiui, nurodžius mašinos modelį ir šešiaženklį numerį, esantį ant specifikacijų lentelės, klientų aptarnavimo centre arba tiesiogiai „Techtronic Industries GmbH“, Max-Eyth-Str. 10, 71364 Winnenden, Vokietija, galite užsakyti išplėstinį prietaiso brėžinį.

SIMBOLIAI



DĖMESIO! ĮSPĖJIMAS! PAVOJUS!



Prieš atlikdami bet kokius darbus įrenginyje, išimkite keičiamą akumuliatorių.



Prieš pradėdami dirbti su prietaisu, atidžiai perskaitykite jo naudojimo instrukciją.



Dirbdami su įrenginiu visada nešiokite apsauginius akinius.



Elektros prietaisų negalima išmesti kartu su buitinėmis atliekomis. Būtina rūšiuoti elektros ir elektroninius prietaisus ir atiduoti į atliekų perdavimo centrą, kad jie būtų utilizuoti netešiant aplinkos. Informacijos apie perdavimo centrus ir atliekų surinkimo įstaigas teiraukitės vietos įstaigoje arba prekybininko.



CE ženklas



Nacionalinė atitikties žyma Ukrainoje



„EurAsian“ atitikties ženklas.

TEHNILISED ANDMED

METALLISAAGI

HD 18 MS

Tootmisnumber	4312 58 02...
.....	...000001-999999
Pöörlemiskiirus tühjooksul	3600 min ⁻¹
Saelehe \emptyset x puuri \emptyset	135 x 20 mm
Max lõikevõimsus	
terasplekis	1,6 mm
torud	\emptyset 50 mm
profilid	51 mm
Vahetatava aku pinge	18 V
Kaal vastavalt EPTA-protseduurile 01/2003	2,6 kg

Müra/vibratsioonid andmed

Mõõteväärtused on kindlaks tehtud vastavalt normile EN 60745.

Seadme A-filtriga hinnatud helirõhutase on tüüpiliselt

Helirõhutase (Määramatus K=3dB(A))

Helivõimsuse tase (Määramatus K=3dB(A))

Kandke kaitseks kõrvaklappe!

Vibratsiooni koguväärtus (kolme suuna vektorsumma)

mõõdetud EN 60745 järgi.

Vibratsiooni emissiooni väärtus a_h

Määramatus K=

TÄHELEPANU

Antud juhendis toodud võnketase on mõõdetud EN 60745 standardile vastava mõõtesüsteemiga ning seda võib kasutada erinevate elektriseadmete omavahelises võrdlemises. Antud näitaja sobib ka esmaseks võnkekoormuse hindamiseks.

Antud võnketase kehtib elektriseadme kasutamisel sihtotstarbeliselt. Kui elektriseadet kasutatakse muudel otstarvetel, muude tööriistadega või seda ei hooldata piisavalt võib võnketase siintoodust erineda. Eeltoodu võib võnketaset märkimisväärselt tõsta terves töökeskkonnas.

Võnketaseme täpsaks hindamiseks tuleks arvestada ka Milwaukee, mil seade on välja lülitatud või on küll sisse lülitatud, kuid ei ole otseselt kasutuses. See võib märgatavalt vähendada kogu töökeskkonna võnketaset.

Rakendage spetsiaalseid ettevaatusabinõusid töötajate suhtes, kes puutuvad töö käigus palju kokku vibratsiooniga. Nendeks abinõudeks võivad olla, näiteks: elektri- ja tööseadmete korraline hooldus, käte soojendamine, töövoos parem organiseerimine.

⚠ HOIATUS! Lugege kõiki ohutusjuhiseid ja korraldusi.

Ohutusnõuete ja juhiste eiramise tagajärjeks võib olla elektrilööki, tulekahju ja/või raskest vigastused.

Hoidke kõik ohutusnõuded ja juhised edasiseks kasutamiseks hoolikalt alles.

⚠ KETASSAAGIDE OHUTUSJUHISED

Saagimismeetodid

⚠ OHUD: Hoidke käed lõikepiirkonnast ja saekettast eemal. Hoidke teise käega lisakäepidet või mootorikorpusi. Kui hoiate ketassaagi mõlema käega, ei jää käed saeketta ette.

Ärge viige kätt t ooriku alla. Tooriku all ei saa kettakaitse Teid saeketta eest kaitsta.

Kohandage lõikesügavus tooriku paksusega. Saeketas võib tooriku alt vähem kui ühe täishamba võrra välja ulatuda.

Ärge kunagi hoidke saetavat toorikut käes või jalgade peal. Kinnitage toorik stabiilsele alusele. Tooriku korralik kinnitamine on oluline, et ohustada võimalikult vähe keha ning piirata saeketta kinnikiilumise ja tööriista kontrolli alt väljumise oht miinimumini.

Tööde puhul, kus lõikeseade võib minna vastu peidetud elektrijuhtmeid, hoidke kinni seadme isoleeritud käepidemetest. Kokkupuude pingele alla oleva juhtmega võib seada seadme enda metallosad pingele alla ja põhjustada elektrilöögi.

Pikisaagimisel kasutage alati paralleeljuhitut või juhtlauda. See suurendab lõike täpsust ja vähendab saeketta kinnikiilumise ohtu.

Kasutage alati saekettaid, mille siseava suurus ja kuju on õiged (romb või ümar). Saekettad, mis ei sobi sae völliiga, põhlevad ekstsentriliselt ja põhjustavad tööriista väljumise kasutaja kontrolli alt.

Ärge kunagi kasutage kahjustatud või mittesobivaid saeketta alusseibe või polte. Saeketta alusseibid ja poldid on konstrueeritud spetsiaalselt Teie sae jaoks, tagamaks selle optimaalset jõudlust ja tööohutust.

Tagasilöögi põhjused ja vältimine:

- tagasilöök on sae ootamatu vastureaktsioon, mis tekib, kui saeketas on kinnikiildunud, kõverdunud või selle liikumine on takistatud ning mille tagajärjel tõuseb saag kontrollimatult tõeldavast detailist välja ja "hüppab" sae kasutaja poole;

- kui sulgub lõikejalg saeketta kinni kiilib või selle liikumist takistab, Milwaukeeelustub saeketta pöörlemine ja mootori vastumõju tulemusel liigub saag kiiresti kasutaja poole;

- kui saeketas lõikejäljes väändub või kõverdub, võivad saeketta tagumised hambad jääda puudu pealmisest kihist kinni, mille tagajärjel tuleb saeketas lõikejäljest välja ja "hüppab" tagasi sae kasutaja poole.

Tagasilöök on tööriista väärkasutamise ja/või valede tööviiside tagajärg. Seda saab vältida, võttes tarvitusele sobivad ettevaatusabinõud, mis on toodud allpool.

Hoidke saagi tugevat mõlema käega ja asetage käed selliselt, et suudaksite seista vastu tagasilöögiga kaasnevatele jõududele. Seiske nii, et Teie keha oleks saekettast paremal või vasakul, kuid mitte sellega ühel joonel. Tagasilöögi mõjul võib saag hüppata tagasi, kuid kasutajal on võimalik tagasilöögiga kaasnevaid jõude kontrollida, võttes tarvitusele sobivad ettevaatusabinõud.

Saeketta kinnikiildumisel või lõikamise katkemisel mingil teisel põhjusel vabastage lüliti ja hoidke saagi toorikus liikumatult, kuni saeketas täielikult seiskub. Ärge kunagi püüdke saagi toorikust eemaldada või tagasi tõmmata, kui saeketas pöörleb või kui võib toimuda tagasilöök. Selgitage välja saeketta kinnikiildumise põhjus ja võtke tarvitusele sobivad meetmed.

Kui soovite tooriku sees olevat saagi uuesti käivitada, sättige saag lõikejälje keskele ja kontrollige, et

saehambad ei ole toorikusse haardunud. Kinnikiildunud saeketas võib liikuda üles või tekitada tagasilöögi, kui saag uuesti käivitatakse.

Selleks, et piirata saeketta kinnikiildumise ja tagasilöögi ohtu miinimumini, peab suured plaadid toetama. Suured plaadid kipuvad omaenda kaalu all painduma. Toetused tuleb paigutada plaadi alla mõlemale küljele, lõikejälje lähedale ja plaadi serva äärde.

Ärge kasutage nööri või kahjustatud saeketast. Teritamata või valesti paigaldatud saekettast tekib kitsas lõikejalg, mis põhjustab liigset hõõrdumist, saeketta kinnikiildumist ja tagasilööke.

Enne lõike tegemist peavad lõikesügavuse ja -nurga reguleerimise lukustushoovad olema kindlalt kinnitatud. Kui saeketta seadistused saagimise ajal muutuvad, võib see põhjustada kinnikiildumise ja tagasilöögi.

Olge eriti tähelepanelik, kui teete uputuslõikeid seintes või muudes varjatud piirkondades. Esileulatav saeketas võib varjatud objektide lõikamisel blokeeruda, mille tagajärjeks on tagasilöögi.

Alumise kaitsekatte funktsioon

Iga kord enne kasutamist kontrollige, kas alumine kettakaitse sulgub korralikult. Ärge kasutage saagi, kui alumine kettakaitse ei liigu vabalt ega sulgu kohe. Alumist kettakaitset ei tohi avatud asendis kinni kiiluda ega siduda. Kui saag kogemata maha kukub, võib alumine kettakaitse väänduda. Tõstke alumine kettakaitse tagasitõmmatavast käepidemest üles ning veenduge, et see liigub vabalt ja ei puuduta saeketast ega muid detaile mistahes lõikenurkade ja -sügavuste juures.

Kontrollige alumise kettakaitse vedru funktsioneerimist. Kui alumine kettakaitse ja vedru ei funktsioneeriks korralikult, tuleb need enne kasutamist parandada lasta. Kahjustatud osade, kleepuvate sadestuste või saepuru kuhjumise tõttu võib alumise kettakaitse töö lustuda.

Alumist kettakaitset tuleks käsitsi tagasi tõmmata ainult erilõigete "nagu uputuslõigete ja nurklõigete tegemiseks". Avage alumine kettakaitse tagasitõmmatava hoovaga ja vabastage see kohe, kui saeketas on toorikusse sisse tunginud. Kõikide teiste saagimistööde ajal peaks alumine kettakaitse toimima automaatselt.

Enne sae asetamist tööpingile või pörandale jälgige alati, et alumine kettakaitse saeketast katab. Kaitsmata, järelepõrlev saeketas põhjustab sae liikumise tagasi, lõigates kõike, mis teele jääb. Pöörake tähelepanu sae järelepõrlemise ajale.

EDASISED OHUTUS- JA TÖÖJUHISED

Enne kõiki töid masina kallal võtke vahetatav aku välja.

Ärge visake tarvitatud vahetatavad akud tulle ega olmeprügisse. Milwaukee pakub vanade akude keskkonnahoidlikku käitlust; palun küsige oma erialaselt tarnijalt.

Ärge säilitage vahetatavaid akusid koos metalliesemetega (lühiseoht).

Laadige süsteemi C 18 vahetatavaid akusid ainult süsteemi C 18 laadijatega. Ärge laadige nendega teiste süsteemide akusid.

Ärge avage vahetatavaid akusid ega laadijaid ning ladustage neid ainult kuivades ruumides. Kaitske niiskuse eest.

Saelehti, mis ei vasta käesoleva kasutusjuhendi karakteristikutele, ei tohi kasutada.

Kandke kaitseks kõrvaklappe. Mõra mõju võib kutsuda esile kuulmise kaotuse.

Lihvimiskettaid ei tohi kasutada!

Kui saelehe läbipaistev kaitsekate on pragunenud või murdunud, lasta see kohe autoriseeritud töökojas välja

vahetada. Masinat ei tohi kasutada katkise kaitsekattega või kui see puudub.

KASUTAMINE VASTAVALT OTSTARBELE

Metallisaagi saab rakendada sirgjooneliste lõigete saagimiseks erinevatesse metalliliikidesse, nagu nt metallprofiilidesse (UniStrut), torudesse, kuivehituse alusraamidesse, kaablikanalitesse, alumiiniumprofiilidesse, plekkidesse jt.

Antud seadet tohib kasutada ainult vastavalt äranäidatud otstarbele.

EÜ VASTAVUSAVALDUS

Me deklareerime ainuiskuliselt vastutades, et lõigus "Tehnilised andmed" kirjeldatud toode vastab direktiivide 2011/65/EU (RoHS), 2014/30/EU, 2006/42/EÜ kõigile olulisele tähtsusega eeskirjadele ning järgmistele harmoniseeritud normatiivsetele dokumentidele:

EN 60745-1:2009 + A11:2010

EN 60745-2-5:2010

EN 55014-1:2006 + A1:2009 + A2:2011

EN 55014-2:1997 + A1:2001 + A2:2008

EN 50581:2012

Winnenden, 2016-03-29



Alexander Krug
Managing Director



On volitatud koostama tehnilist dokumentatsiooni.

Techtronic Industries GmbH
Max-Eyth-Straße 10
71364 Winnenden
Germany

AKUD

Järgida spetsiaalseid nõuandeid Milwaukee C 18 akude kohta laadija kasutusjuhendis.

Pikemat aega mittekasutatud akusid laadige veel enne kasutamist.

Temperatuur üle 50 °C vähendab vahetatava aku töövõimet. Vältige pikemat soojenemist päikese või kütteseadme mõjul.

Hoidke laadija ja vahetatava aku ühenduskontaktid puhtad.

Patreide optimaalse eluea tagamiseks, pärast kasutamist täielikult lae pateride plokki.

Akad tuleks võimalikult pika kasutusea saavutamiseks pärast täislaadimist laadijast välja võtta.

Aku ladustamisel üle 30 päeva:

Ladustage akut kuivas kohas u 27°C juures.

Ladustage akut u 30-50% laetusseisundis.

Laadige aku iga 6 kuu tagant täis.

AKU KOORMUSKAITSE

Aku ülekoormamisel kõrge voolutarbimisega, nt puuri blokeerumisel, äkilisel seiskumisel või lühise tekkimisel, vibreerib elektritööriist 2 sekundit ning seejärel lülitub automaatselt välja.

Uuesti sisse lülitamiseks tuleb päästik esmalt vabastada ning seejärel uuesti alla suruda.

Ülisuurel koormusel võib aku kuumeneda kõrgete temperatuurideni. Sellisel juhul lülitub aku välja.

Aku tuleb laadimiseks ja taasaktiveerimiseks sisestada laadimisseadmesse.

LIITIUMIOONAKUDE TRANSPORTIMINE

Liitiumioonakud on allutatud ohtlike ainete transportimisega seonduvatele õigusaktidele.

Nende akude transportimine peab toimuma kohalikest, siseriiklikest ja rahvusvahelistest eeskirjadest ning määrustest kinni pidades.

- Tarbijad tohivad neid akusid edasiste piiranguteta tavalisel transportida.
- Liitiumioonakude kommertstransport ekspedeerimisettevõtete kaudu on allutatud ohtlike ainete transportimisega seonduvatele õigusaktidele. Tarneettevalmistusi ja transporti tohivad teostada eranditult vastavalt koolitatud isikud. Kogu protsessi tuleb asjatundlikult jälgida.

Akude transportimisel tuleb järgida järgmisi punkte:

- Tehke kindlaks, et kontaktid on lühiste vältimiseks kaitstud ja isoleeritud.
- Pöörake tähelepanu sellele, et akupakk ei saaks pakendis nihkuda.
- Kahjustatud või välja voolanud akusid ei tohi kasutada.

Pöörduge edasiste juhiste saamiseks ekspedeerimisettevõtte poole.

TÖÖJUHISED

Motori ülekoormuse puhul lülitub masin automaatselt välja. Pärast jahtumist vajutage ülekoormuse nupp uuesti sisse ja lülitage masin sisse. Sagedaste ülekoormuskaitse poolt põhjustatud väljalülituste puhul vähendage lõikesurvet või lõikesügavust.

HOOLDUS

Enne saeketta kinnitamist või eemaldamist veenduge, et sae toide on lahti ühendatud.

Puhastage seadet ja kaitseesadist kuiva lapiga. Osad puhastusvahendid kahjustavad plastmassi või muid isoleeritud detaile. Hoidke seade puhas ja kuiv ning eemaldage väljatunginud õli ja määre. Kontrollige kaitsekatte talitlust. Regulaarne hooldus ja puhastamine tagavad pika eluea ning ohutu käsitsemise.

Kasutage ainult Milwaukee tarvikuid ja Milwaukee tagavaraosi. Detailid, mille väljavahetamist pole kirjeldatud, laske välja vahetada Milwaukee klientideeninduspunktis (vaadake brošüüri garantii / klientideeninduste aadressid).

Vajadusel saab nõuda seadme plahvatusjoonise võimsussildil oleva masinatüübi ja kuuekohalise numbril alusel klientideeninduspunkti või vahetult firmalt Techtronic Industries GmbH, Max-Eyth-Straße 10, 71364 Winnenden, Germany.

SÜMBOLID



ETTEVAATUST! TÄHELEPANU! OHUD!



Enne kõiki töid masina kallal võtke vahetatav aku välja.



Palun lugege enne käikulaskmist kasutusjuhend hoolikalt läbi.



Masinaga töötades kandke alati kaitseprille.



Elektriseadmeid ei tohi utiliseerida koos majapidamisprügiga. Elektrilised ja elektroonilised seadmed tuleb eraldi kokku koguda ning keskkonnasõbralikuks utiliseerimiseks vastavas käitlusettevõttes ära anda. Küsige kohalikest pädevatest ametitest või edasimüüjalt käitlusjaamade ja kogumispunktide kohta järele.



CE-märk



Ukraina riiklik vastavusmärk



Euraasia vastavusmärk.

ТЕХНИЧЕСКИЕ ДАННЫЕ	ПИЛА ПО МЕТАЛЛУ	HD 18 MS
Серийный номер изделия	4312 58 02000001-999999
Число оборотов без нагрузки (об/мин)	3600 min ⁻¹	
Диаметр диска пилы x диаметр отверстия	135 x 20 mm	
Макс. производительность резания		
Стальной лист	1,6 mm	
Трубы	ø 50 mm	
Сортовой металл	51 mm	
Вольтаж аккумулятора	18 V	
Вес согласно процедуре EPTA 01/2003	2,6 kg	

Информация по шумам/вибрации

Значения замерялись в соответствии со стандартом EN 60 745.

Обычное низкочастотное звуковое давление,

производимое инструментом, составляет

Уровень звукового давления (Небезопасность K=3dB(A)) 75 dB (A)

Уровень звуковой мощности (Небезопасность K=3dB(A)) 86 dB (A)

Пользуйтесь приспособлениями для защиты слуха.

Общие значения вибрации (векторная сумма трех направлений) определены в соответствии с EN 60745.

Значение вибрационной эмиссии a_h < 2,5 m/s²

Небезопасность K= 1,5 m/s²

ВНИМАНИЕ

Указанный в настоящем руководстве уровень вибрации измерен в соответствии с технологией измерения, установленной стандартом EN 60745 и может использоваться для сравнения электроинструментов друг с другом. Он также подходит для предварительной оценки вибрационной нагрузки.

Указанный уровень вибрации представляет основные виды использования электроинструмента. Но если электроинструмент используется для других целей, используемый инструмент отклоняется от указанного или техническое обслуживание было недостаточным, то уровень вибрации может отклоняться от указанного. В этом случае вибрационная нагрузка в течение всего периода работы значительно увеличивается.

Для точной оценки вибрационной нагрузки необходимо также учитывать время, в течение которого прибор отключен или включен, но фактически не используется. В этом случае вибрационная нагрузка в течение всего периода работы может существенно уменьшиться.

Установите дополнительные меры безопасности для защиты пользователя от воздействия вибрации, например: техническое обслуживание электроинструмента и используемого инструмента, поддержание рук в теплом состоянии, организация рабочих процессов.

⚠ ПРЕДУПРЕЖДЕНИЕ! Прочтите все указания по безопасности и инструкции. Упущения, допущенные при не соблюдении указаний и инструкций по технике безопасности, могут стать причиной электрического поражения, пожара и тяжелых травм. **Сохраняйте эти инструкции и указания для будущего использования.**

⚠ УКАЗАНИЯ ПО БЕЗОПАСНОСТИ ДЛЯ ЦИРКУЛЯРНЫХ ПИЛ

Технология распиливания

⚠ ОПАСНОСТЬ: Держите Ваши руки в стороне от пропила и пильного полотна. Держите Вашей второй рукой пилу за дополнительную рукоятку или корпус мотора. Если Вы обеими руками держите дисковую пилу, то пильное полотно не может ранить Вам руки.

Не подхватывайте деталь. Защитный колокпак не может защитить под деталью от пильного полотна.

Устанавливайте глубину реза в соответствии с толщиной детали. Под деталью пильное полотно не должно высываться более чем на один зуб.

Никогда не держите распиливаемую деталь в руке или над ногой. Деталь должна надежно лежать на прочной опоре. Важно хорошо закрепить деталь, чтобы сократить до минимума опасность контакта с телом, заклинивания пильного полотна или потери контроля.

Если Вы выполняете работы, при которых режущий инструмент может зацепить скрытую электропроводку кабель, инструмент следует держать за специально предназначенные для этого изолированные поверхности. Контакт с ведущими напряжением проводами ставит металлические части прибора под напряжение и ведет к поражению электротоком.

Используйте всегда при продольном резании упор или прямую направляющую кромку. Это улучшает точность реза и снижает возможность заклинивания пильного полотна.

Всегда применяйте пильные полотна с правильными размерами и соответствующим отверстием крепления.

Причины и предотвращение обратного удара:

- обратный удар это неожиданная реакция вследствие цепляющегося, заклинивающегося или неправильно выверенного пильного полотна, которая ведет к выходу неконтролируемой пилы из детали в направлении оператора.

- если пильное полотно зацепится или заклинившись в замыкающемся пропиле, то сила мотора выбивает прибор назад в направлении оператора.

- если пильное полотно будет перекошено или неправильно выверено в пропиле, то зубья задней кромки пилы могут врезаться в поверхность детали, что ведет к выходу пильного полотна из пропила и резкому выбросу пилы в направлении оператора.

Обратный удар является следствием неправильного или ошибочного использования пилы. Он может быть предотвращен соответствующими мерами предосторожности, описанными ниже.

Держите пилу крепко обеими руками и расположите при этом руки так, чтобы Вы могли бы противостоять силам обратного удара. Стойте всегда в стороне от оси пильного полотна, не ведите никогда пильное полотно по оси Вашего тела. При обратном ударе пила может выскочить назад, однако, оператор может противостоять силам обратного удара, если были приняты соответствующие меры.

При заклинивании пильного полотна или, если резание будет прервано по другой причине, отпустите выключатель и держите пилу спокойно в детали до полной остановки пильного полотна. Никогда не

пытаться вынуть пильное полотно из детали, вывести его назад пока оно находится во вращении или если может возникнуть обратный удар. Найдите причину заклинивания пильного полотна и устранили ее соответствующими мерами.

Если Вы хотите опять включить застрявшую в детали пилу, то сначала отцентрируйте пильное полотно в пропиле и проверьте свободу зубьев полотна. Заклиненное пильное полотно может выйти из детали или вызвать обратный удар при повторном включении пилы.

Большие плиты должны лежать на опорах для уменьшения риска обратного удара при заклинивании пильного полотна. Большие плиты могут прогибаться под собственным весом. Плиты должны лежать на опорах с обеих сторон, как вблизи пропила, так и с края.

Не пользуйтесь тупыми или поврежденными пильными полотнами. Пильные полотна с тупыми или неправильно выверенными зубьями ведут в результате очень узкого пропила к повышенному трению, заклиниванию пильного полотна и обратному удару.

Перед распиливанием затяните крепко установочное устройство глубины реза и угла пропила. Если при распиливании настройка изменится, то пильное полотно может заклинить и возникнуть обратный удар.

Будьте особенно осторожны при выполнении пропила «погружением» в скрытом диапазоне, например в готовой стене. Погружающееся пильное полотно может при пилении заблокироваться в скрытом объекте и вызвать обратный удар.

Функция нижнего защитного кожуха

Перед каждым включением проверяйте безупречное замыкание нижнего защитного колокпака. Не пользуйтесь пилой, если движение нижнего защитного колокпака ограничено и он не сразу закрывается. Никогда не заклинивайте и не завязывайте нижний защитный колокпак в открытом положении. Если пила случайно упадет на пол, то нижний защитный колокпак может быть погнут. Откройте защитный колокпак рычагом оттягивания и определите наличие свободы движения и отсутствие соприкосновения с пильным полотном или другими частями при всех возможных углах пропила и глубины резания.

Проверьте функцию пружины для нижнего защитного колокпака. При неисправной функции нижнего защитного колокпака и пружины сдайте электроинструмент на техническое обслуживание до начала работы. Поврежденные части, склеивающиеся отложения или скопления стружки являются причиной замедленного срабатывания нижнего защитного колокпака.

Открывайте нижний защитный колокпак вручную только при выполнении особых пропилов, например, пиление с погружением и распиловке под углом. Откройте защитный колокпак оттягивающим рычагом и отпустите рычаг сразу как только пильное полотно войдет в деталь. При всех других работах нижний защитный колокпак должен работать автоматически.

Не кладите пилу на верстак или на пол, не закрыв предварительное пильное полотно защитным колокпаком. Незащищенное пильное полотно на выбеге двигает пилу против направления реза и распиливает все, что стоит на пути. Учитывайте при этом продолжительность выбега пилы.

ДОПОЛНИТЕЛЬНЫЕ УКАЗАНИЯ ПО БЕЗОПАСНОСТИ И РАБОТЕ

Выньте аккумулятор из машины перед проведением с ней каких-либо манипуляций.

Не выбрасывайте использованные аккумуляторы вместе с домашним мусором и не сжигайте их. Дистрибьюторы компании Milwaukee предлагают восстановление старых аккумуляторов, чтобы защитить окружающую среду.

Не храните аккумуляторы вместе с металлическими предметами во избежание короткого замыкания.

Для зарядки аккумуляторов модели System C 18 используйте только зарядным устройством System C 18 . Не заряжайте аккумуляторы других систем.

Никогда не вскрывайте аккумуляторы или зарядные устройства и храните их только в сухих помещениях. Следите чтобы они всегда были сухими.

Не применяйте диски, не соответствующих параметрам, приведенным в настоящей инструкции по эксплуатации.

Используйте наушники! Воздействие шума может привести к потере слуха.

Не использовать шлифовальные круги!

Если прозрачное защитное покрытие пильного полотна потрескалось или поломалось, его следует незамедлительно заменить в специализированной мастерской. Запрещается эксплуатировать станок с неисправным защитным покрытием полотна или без него.

ИСПОЛЬЗОВАНИЕ

Дисковая пила по металлу предназначена для резки вдоль и под углом 45 градусов различных материалов, таких как металлические профили, трубы, металлические штифты, водостоки, алюминиевые профили, металлические листы, и т.д.

Не пользуйтесь данным инструментом способом, отличным от указанного для нормального применения.

ДЕКЛАРАЦИСС О СООТВЕТСТВИИ СТАНДАРТАМ ЕС

Мы заявляем под собственную ответственность, что изделие, описанное в разделе "Технические характеристики", соответствует всем важным предписаниям Директивы 2011/65/EU (Директива об ограничении применения опасных веществ в электрических и электронных приборах), 2014/30/EU, 2006/42/EU и приведенным далее гармонизированным нормативным документам:

EN 60745-1:2009 + A11:2010


EN 60745-2-5:2010

EN 55014-1-2:2006 + A1:2009 + A2:2011

EN 55014-2-1:1997 + A1:2001 + A2:2008

EN 50581:2012

Winnenden, 2016-03-29


Alexander Krug
Managing Director



Уполномочен на составление технической документации.

Techntron Industries GmbH
Max-Eyth-Straße 10
71364 Winnenden
Germany

АККУМУЛЦОР

Инструкции по аккумуляторам Milwaukee C 18 см. в руководстве по эксплуатации зарядного устройства.

Перед использованием аккумулятора, которым не пользовались некоторое время, его необходимо зарядить.

Температура свыше 50°C снижает работоспособность аккумуляторов. Избегайте продолжительного нагрева или прямого солнечного света (риск перегрева).

Контакты зарядного устройства и аккумуляторов должны содержаться в чистоте.

Для обеспечения оптимального срока службы аккумуляторы необходимо полностью заряжать после использования.

Для достижения максимально возможного срока службы аккумуляторы после зарядки следует вынимать из зарядного устройства.

При хранении аккумулятора более 30 дней:
Храните аккумулятор при 27°C в сухом месте.
Храните аккумулятор с зарядом примерно 30% - 50%.
Каждые 6 месяцев аккумулятор следует зарядить.

ЗАЩИТА АККУМУЛЯТОРА ОТ ПЕРЕГРУЗКИ

При перегрузке аккумулятора из-за очень высокого расхода электроэнергии, напр., предельно высоких крутящих моментов, заклинивания сверла, внезапной остановки или короткого замыкания, электроинструмент гудит 2 секунды и автоматически отключается. Для повторного включения отпустить кнопку выключателя и затем снова включить. При предельно высоких нагрузках аккумулятор может сильно нагреться. В этом случае аккумулятор отключится.

ТРАНСПОРТИРОВКА ЛИТИЙ-ИОННЫХ АККУМУЛЯТОРОВ

Литий-ионные аккумуляторы в соответствии с предписаниями закона транспортируются как опасные грузы.

Транспортировка этих аккумуляторов должна осуществляться с соблюдением местных, национальных и международных предписаний и положений.

- Эти аккумуляторы могут перевозиться по улице потребителем без дальнейших обязательств.
- При коммерческой транспортировке литий-ионных аккумуляторов экспедиторскими компаниями действуют положения, касающиеся транспортировки опасных грузов. Подготовка к отправке и транспортировка должны производиться исключительно специально обученными лицами. Весь процесс должен находиться под контролем специалиста.

При транспортировке аккумуляторов необходимо соблюдать следующие пункты:

- Убедитесь, что контакты защищены и изолированы во избежание короткого замыкания.
- Следите за тем, чтобы аккумуляторный блок не соскользнул внутри упаковки.
- Транспортировка поврежденных или протекающих аккумуляторов запрещена.

За дополнительными указаниями обратитесь к своему экспедитору.

СОВЕТЫ ПО ЭКСПЛУАТАЦИИ

При автоматическом отключении инструмента по перегрузке дайте ему охладиться, затем нажмите кнопку разблокировки и включите инструмент повторно. При частом срабатывании защиты по перегрузке, попробуйте работать с меньшим давлением на инструмент или установите меньшую глубину штробления.

ОБСЛУЖИВАНИЕ

Отключите инструмент от питающей сети перед установкой или снятием режущего полотна.

Очищать прибор и защитное устройство с помощью сухой салфетки. Некоторые чистящие средства могут повредить пластмассу или другие изолированные части. Содержать прибор в чистоте и в сухом виде, а также следить, чтобы не выступала масло и смазка. Проверить функционирование защитных кожухов. Регулярное техобслуживание и очистка обеспечат продолжительный срок службы и безопасное обращение.

Пользуйтесь аксессуарами и запасными частями Milwaukee. В случае возникновения необходимости в замене, которая не была описана, обращайтесь в один из сервисных центров по обслуживанию электроинструментов Milwaukee (см. список сервисных организаций).

При необходимости, у сервисной службы или непосредственно у фирмы Techtronic Industries GmbH, Max-Eyth-Strasse 10, 71364, Винненден, Германия, можно запросить сборочный чертеж устройства, сообщив его тип и шестизначный номер, указанный на фирменной табличке.

СИМВОЛЫ



ВНИМАНИЕ! ПРЕДУПРЕЖДЕНИЕ! ОПАСНОСТЬ!



Выньте аккумулятор из машины перед проведением с ней каких-либо манипуляций.



Пожалуйста, внимательно прочтите инструкцию по использованию перед началом любых операций с инструментом.



При работе с инструментом всегда надевайте защитные очки.



Электрические устройства нельзя утилизировать вместе с бытовым мусором. Электрические и электронные устройства следует собирать отдельно и сдавать в специализированную утилизирующую компанию для утилизации в соответствии с нормами охраны окружающей среды. Сведения о центрах вторичной переработки и пунктах сбора можно получить в местных органах власти или у вашего специализированного дилера.



Знак CE



Национальный знак відповідності України



Сертификата о соответствии No. RU C-DE.ME77.B.01625
Срок действия сертификата о соответствии по 19.06.2019
ООО «Центр по сертификации стандартизации и систем качества электро-машиностроительной продукции» 141400, РФ, Московская область, г. Химки, Ул. Ленинградская, 29

Транспортировка:

Категорически не допускается падение и любые механические воздействия на упаковку при транспортировке. При разгрузке/погрузке не допускается использование любого вида техники, работающей по принципу зажима упаковки.

Хранение:

Необходимо хранить в сухом месте. Необходимо хранить вдали от источников повышенных температур и воздействия солнечных лучей. При хранении необходимо избегать резкого перепада температур. Хранение без упаковки не допускается.

Срок службы изделия:

Срок службы изделия составляет 5 лет. Не рекомендуется к эксплуатации по истечении 5 лет хранения с даты изготовления без предварительной проверки.

Дата изготовления (код даты) отштампован на поверхности корпуса изделия.

Пример:

A2015, где 2015 - год изготовления

A - месяц изготовления

Определить месяц изготовления можно согласно приведенной ниже таблице

A - Январь	G - Июль
B - Февраль	H - Август
C - Март	J - Сентябрь
D - Апрель	K - Октябрь
E - Май	L - Ноябрь
F - Июнь	M - Декабрь

Тектроник Индастриз ГмбХ
Германия, 71364, Винненден,
ул. Макс-Ай-Штрассе, 10
Сделано в КНР

ТЕХНИЧЕСКИ ДАННИ

ЦИРКУЛЯР ЗА МЕТАЛ

HD 18 MS

Производствен номер.....	4312 58 02... ...000001-999999
Обороти на празен ход.....	3600 min ⁻¹
Ø на режещия диск x Ø на отвора.....	135 x 20 mm
макс. производителност на рязане в стоманена ламарина	1,6 mm
тръби	Ø 50 mm
профили.....	51 mm
Напрежение на акумулатора.....	18 V
Темпо съгласно процедурата EPTA 01/2003	2,6 kg

Информация за шума/вибрациите

Измерените стойности са получени съобразно EN 60 745.

Нивото на звуково налягане на уреда в db (A) обикновено съставлява

Равнище на звуковото налягане (Несигурност K=3dB(A))	75 dB (A)
Равнище на мощността на звука (Несигурност K=3dB(A))	86 dB (A)

Да се носи предпазно средство за слуха!

Общите стойности на вибрациите (векторна сума на три посоки) са определени в съответствие с EN 60745.

Стойност на емисии на вибрациите a _h	< 2,5 m/s ²
Несигурност K=	1,5 m/s ²

ВНИМАНИЕ

Посоченото в тези инструкции ниво на вибрациите е измерено в съответствие със стандартизиран в EN 60745 измервателен метод и може да се използва за сравнение на електрически инструменти помежду им. Подходящ е и за временна оценка на вибрационното натоварване.

Посоченото ниво на вибрациите представя основните приложения на електрическия инструмент. Ако обаче електрическият инструмент се използва за друго предназначение, с различни сменяеми инструменти или при недостатъчна техническа поддръжка, нивото на вибрациите може да е различно. Това чувствително може да увеличи вибрационното натоварване по време на целия работен цикъл.

За точната оценка на вибрационното натоварване трябва да се вземат предвид и периодите от време, в които уредът е изключен или работи, но в действителност не се използва. Това чувствително може да намали вибрационното натоварване по време на целия работен цикъл.

Определете допълнителни мерки по техника на безопасност в защита на обслужващия работник от въздействието на вибрациите като например: техническа поддръжка на електрическия инструмент и сменяемите инструменти, поддръжане на ръцете топли, организация на работния цикъл.

▲ ПРЕДУПРЕЖДЕНИЕ! Прочетете всички указания и напътствия за безопасност.

Упущения, допуснени при съблюдении указаний и инструкций по технике безопасности, могут стать причиной электрического поражения, пожара и тяжелых травм.

Сохраняйте эти инструкции и указания для будущего использования.

▲ ИНСТРУКЦИИ ЗА БЕЗОПАСНОСТ ЗА ЦИРКУЛЯРИ.

Процес на рязане

▲ ОПАСНОСТ: Дръжте ръцете си на разстояние от зоната на рязане и от циркулярния диск. С втората си ръка дръжте спомагателната ръкохватка или корпуса на електродвигателя. Когато държите циркуляра с двете си ръце, няма опасност да ги нараните с режещия диск.

Не пълзайте ръцете си под обработвания детайл.

Предпазният кожух не може да Ви защити в зоната под обработвания детайл.

Винаги настройвайте дълбочината на рязане съобразно дебелината на стената на обработвания детайл. От обратната страна на детайла дискът трябва да се подава на разстояние, по-малко от една височина на зъба.

Никога не задържайте обработвания детайл с ръка или на коляното си. Застопорявайте го към стабилна основа. За да ограничите опасността от нараняване, заклиняване на циркулярния диск или загуба на контрол на електроинструмента, е изключително важно детайлът да бъде застопорен правилно.

Дръжте уреда за изолираните ръкохватки, когато извършвате работи, при които режещият инструмент може да засегне скрити електросталационни кабели. При влизане в съприкосновение с проводник под

напрежение, то се предава на всички метални части на електроинструмента, което може да доведе до токов удар.

При надлъжно разрязване винаги използвайте направляваща опора или прав водещ ръб. Така точноста на рязане ще се подобри, а опасността от заклиняване на циркулярния диск ще се намали.

Винаги използвайте циркулярни дискове с подходящ размер и форма на пристъединителния отвор (звездообразен или кръгъл). Циркулярни дискове, които не пасват точно на стъпалото на вала, имат биене и могат да предизвикат загуба на контрол над електроинструмента.

Никога не използвайте повредени или неподходящи подложни шайби, респ. винтове при застопоряване на циркулярните дискове. Подложните шайби и винтове са конструирани специално за Вашия циркуляр и осигуряват максимални безопасност и производителност.

Причини за възникване на откат и начини на предотвратяването му:

- откатът е внезапна и неочаквана реакция на циркулярния диск в резултат на заклиняването му или обръщането му в неправилна посока, в следствие на която неконтролируемият циркуляр може да излезе от междината на рязане и да се отклони към оператора;

- когато режещият диск се заклини в затварящата се междина на рязане, в резултат на блокирането на въртенето му електроинструментът внезапно се измества назад по посока на оператора;

- ако режещият диск бъде завъртан или наклонен в среза, зъбите от задната му страна се връзват в повърхността на обработвания детайл, в резултат на което режещият диск излиза от междината и циркулярът отскача назад по посока на оператора; Откатът е резултат от неправилното използване и/или боравене с електроинструмента.

Чрез взимането на подходящи предпазни мерки, както е описано по-долу, той може да бъде предотвратен.

Дръжте електроинструмента здраво с двете си ръце и заемайте положение, при което ръцете Ви са насочени да противодействат на евентуално възникнал откат. Тялото Ви трябва да е разположено странично на равнината на въртене на диска, в никакъв случай фронтално срещу него. При възникване на откат циркулярът може да отскочи назад, но, ако са били взети подходящи предварителни мерки, операторът може да овладее положението.

Ако режещият диск се заклени или разрязването бъде прекъснато по някаква друга причина, отпуснете пусковия прекъсвач и задържащия циркуляра неподвижно в обработвания детайл, докато въртенето на диска спре напълно. Никога не се опитвайте да извадите електроинструмента от разрязваната междина, докато режещият диск се върти или съществува опасност от възникване на откат. Намерете причината за закланването на диска и я отстранете.

Когато включвате повторно циркуляра, докато режещият диск е в разрязваната междина, го центрирайте в нея и предварително се уверете, че зъбите не допират до детайла. Ако режещият диск се заклени, при повторното включване на електроинструмента той може да излезе от разрязваната междина или да предизвика откат.

За да ограничите опасността от възникване на откат, подпирайте големи плоскости по подходящ начин. При разрязване големите плоскости имат стремеж да се огънат под действие на собствената си сила на тежестта. Те трябва да бъдат подпирани от двете страни на среза, в близост до него и в близост до отдалечения им край.

Не използвайте затъпени или повредени циркулярни дискове. Когато дисковете са затъпени или обърнати в неправилната посока, разрязваната междина е тясна, поради което силно се увеличават триенето, както и опасността от закланване и откат.

Преди да започнете разрязването, се уверете, че механизмите за регулиране на дълбочината и наклона на разрязване са затегнати здраво. Ако по време на рязане под действие на възникващите сили настройките се променят, това може да доведе до закланване и откат на електроинструмента.

Когато връзвате диска в стена или други повърхности, под които могат да се крият опасности, бъдете изключително предпазливи. Режещият диск може да влезе в съприкосновение със скрити под повърхността предмети, да блокира и да предизвика откат.

Функция на долния предпазен капак

Винаги преди започване на работа проверявайте дали долният предпазен кожух се затваря правилно. Не използвайте циркуляра, ако долният предпазен кожух не се движи свободно и не покрива веднага режещия диск. Никога не задържайте отворен или не препътствайте по какъвто и да било начин затварянето на долния предпазен кожух. Ако циркулярът бъде изтърван по невнимание, долният предпазен кожух може да се изкриви. Отворете го с ръкохватката и се уверете, че може да се движи свободно и независимо от настройката на наклона и дълбочината на рязане не допира до циркулярния диск или други подвижни детайли.

Проверявайте дали пружините на долния предпазен кожух функционират правилно. Ако долният предпазен кожух и/или пружината му не работят правилно, преди да бъде използван, електроинструментът трябва да бъде ремонтиран. В резултат на повреждане на детайли, отлагане на лепливи вещества или натрупване на сътротини долният предпазен кожух може да започне да се движи забавено.

Отваряйте долния предпазен кожух само при изпъняване на специални срезове, напр. разрязване с пробиване или рязане в близост до ъгли. Отворете долния предпазен кожух с помощта на ръкохватката и я

отпуснете веднага след като режещият диск пробие детайла. При всички други случаи долният предпазен кожух трябва да работи автоматично.

Не оставяйте циркуляра на работния плот или на земята, без долният предпазен кожух да е покрил режещия диск. Незащитен циркулярен диск, който се върти, придвижва циркуляра в обратна посока и разрязва намиращите се на пътя му предмети. Затова се съобразявайте с необходимото за спирането на въртенето по инерция време.

ДОПЪЛНИТЕЛНИ УКАЗАНИЯ ЗА РАБОТА И БЕЗОПАСНОСТ

Преди започване на каквито е да е работи по машината извадете акумулатора.

Не изхвърляйте изхабените акумулатори в огъня или в при битовите отпадъци. Milwaukee предлага екологосъобразно събиране на старите акумулатори; моля попитайте Вашия специализиран търговец.

Не съхранявайте акумулаторите заедно с метални предмети (опасност от късо съединение).

Акумулатори от системата C 18 да се зареждат само със зарядни устройства от системата C 18 laden. Да не се зареждат акумулатори от други системи.

Не отваряйте акумулатори и зарядни устройства и ги съхранявайте само в сухи помещения. Пазете ги от влага.

Режещи дискове, които не отговарят на параметрите в настоящето упътване за експлоатация, не бива да се използват.

Носете средство за защита на слуха. Въздействието на шума може да предизвика загуба на слуха.

Моля не използвайте шифировъчни дискове!

Ако се случи прозрачното покритие на режещия лист да бъде надраскано или счупено, то трябва веднага да се поднови от оторизирана специализирана работилница. С дефектно или липсващо покритие на режещия лист машината не трябва да бъде експлоатирана.

ИЗПОЛЗВАНЕ ПО ПРЕДНАЗНАЧЕНИЕ

Металният трион може да се използва за рязане по права линия в различни видове метали, като напр. метални профили (UniStrut), тръби, стойки за сухо строителство, кабелни канали, алуминиеви профили, ламарини и др.

Този уред може да се използва по предназначение само както е посочено.

СЕ - ДЕКЛАРАЦИЯ ЗА СЪОТВЕТСТВИЕ

Заявяваме под собствена отговорност, че описаният в "Технически данни" продукт съответства на всички важни разпоредби на директива 2011/65/EU (RoHS), 2014/30/EU, 2006/42/EO, както и на всички следващи нормативни документи във тази връзка.

EN 60745-1:2009 + A11:2010
EN 60745-2-5:2010
EN 55014-1:2006 + A1:2009 + A2:2011
EN 55014-2:1997 + A1:2001 + A2:2008
EN 50581:2012

Winnenden, 2016-03-29



Alexander Krug
Managing Director



Упълномощен за съставяне на техническата документация

Techtronic Industries GmbH
Max-Eyth-Straße 10
71364 Winnenden
Germany

АКУМУЛАТОРИ

Спазвайте специалните указания за акумулаторни батерии Milwaukee C 18 в упътването за използване на зарядното устройство.

Акумулатори, които не са ползвани по-дълго време, преди употреба да се дозаредят.

Температура над 50°C намалява мощността на акумулатора. Да се избягва по-продължително нагриване на слънце или от отопление.

Поддържайте чисти присъединителните контакти на зарядното устройство и на акумулатора.

С цел оптимална продължителност на живот след употреба батерията трябва да бъдат заредени напълно

За възможно по-дълга продължителност на живот батериите трябва да се изваждат от уреда след зареждане.

При съхранение на батериите за повече от 30 дни: съхранявайте батерията при прикл. 27°C и на сухо място. Съхранявайте батерията при 30 до 50 % от заряда. Зареджайте батерията на всеки 6 месеца.

ЗАЩИТА ОТ ПРЕТОВАРВАНЕ НА БАТЕРИЯТА

При претоварване на акумулатора поради много висока консумация на ток, напр. много високи въртящи моменти, закланване на свредлото, внезапен стоп или късо съединение, електрическият инструмент бръмчи 2 секунди и самостоятелно се изключва.

За ново включване освободете бутона за включване и отново го включете.

При извънредни натоварвания акумулаторът може да се нагрее силно. В този случай акумулаторът изключва.

Тогава акумулаторът да се включи към зарядното устройство, за да се дозареди и активира.

ПРЕВОЗ НА ЛИТИЕВО-ЙОННИ БАТЕРИИ

Литиево-йонни батерии са предмет на законовите разпоредби за превоз на опасни товари.

Превозът на тези батерии трябва да се извършва в съответствие с местните, националните и международните разпоредби и регламенти.

- Потребителите могат да превозват тези батерии по пътя без допълнителни изисквания.
- Превозът на литиево-йонни батерии от транспортни компании е предмет на законовите разпоредбите за превоз на опасни товари. Подготовката на превоза и самият превоз трябва да се извършват само от обучени лица. Целият процес трябва да е под професионален надзор.

Спазвайте следните изисквания при превоз на батерии:

- Уверете се, че контактите са защитени и изолирани, за да се избегне късо съединение.
- Уверете се, че няма опасност от разместване на батерията в опаковката.
- Не превозвайте повредени батерии или такива с течове.

Обърнете се към Вашата транспортна компания за допълнителни инструкции.

УКАЗАНИЯ ЗА РАБОТАТА

При претоварване на двигателя машината автоматично се изключва. След охлаждане веднага натиснете навътре бутона за претоварване и включете отново машината. При често изключване от защитата срещу претоварване намалетте натиска при рязане или дълбочината на рязане.

ПОДДРЪЖКА

Уверете се, че инструментът е с прекъснато електрическо захранване, преди да поставяте или сваляте режещия диск.

Почистявайте уреда и предпазното съоръжение със суха кърпа. Някои почистващи препарати могат да повредят пластмасата или други изолирани части. Дръжте уреда чист и сух, както и следете за изтичане на масло и грес. Проверете функционалността на предпазните капаци.

Редовната поддръжка и редовното почистване осигуряват по-дълъг живот и по-сигурна експлоатация.

Да се използват само аксесоари на Milwaukee резервни части на Milwaukee. Елементи, чията подмяна не е описана, да се дадат за подмяна в сервис на Milwaukee (вижте брошурата "Гаранция и адреси на сервиси").

При необходимост можете да поискате схема на елементите на уреда при посочване на обозначение на машината и шестцифрения номер на табелката за технически данни от Вашия сервис или директно на Techtronic Industries GmbH, Max-Eyth-Straße 10, 71364 Winnenden, Германия.

СИМВОЛИ



ВНИМАНИЕ! ПРЕДУПРЕЖДЕНИЕ! ОПАСНОСТ



Преди започване на каквито е да е работи по машината извадете акумулатора.



Преди пускане на уреда в действие моля прочетете внимателно инструкцията за използване.



При работа с машината винаги носете предпазни очила.



Електрическите уреди не трябва да се изхвърлят заедно с битовите отпадъци. Електрическото и електронното оборудване трябва да се събират отделно и да се предават на службите за рециклиране на отпадъците според изискванията за опазване на околната среда. Информирайте се при местните служби или при местните специализирани търговци относно местата за събиране и центровете за рециклиране на отпадъци.



CE-знак



Национален знак за съответствие - Украйна



EurAsian знак за съответствие.

DATE TEHNICE	CUȚITUL METALIC	HD 18 MS
Număr producție	4312 58 02...	..000001-999999
Viteza la mers în gol	3600 min ⁻¹	
Diametru lamă x diametru orificiu	135 x 20 mm	
Performanța maximă de tăiere		
Placă de oțel	1,6 mm	
Tevi	ø 50 mm	
Profile	51 mm	
Tensiune acumulator	18 V	
Greutatea conform "EPTA procedure 01/2003"	2,6 kg	

Informație privind zgomotul/vibrațiile

Valori măsurate determinate conform EN 60 745.

Valoarea reală A a nivelului presiunii sonore a sculei este :

Nivelul presiunii sonore (Nesiguranță K=3dB(A)).....75 dB (A)

Nivelul sunetului (Nesiguranță K=3dB(A)).....86 dB (A)

Purtați căști de protecție

Valorile totale de oscilație (suma vectorială pe trei direcții)

determinate conform normei EN 60745.

 Valoarea emisei de oscilații a_h

 Nesiguranță K=.....1,5 m/s²

AVERTISMENT

Gradul de oscilație indicat în prezentele instrucțiuni a fost măsurat în conformitate cu o procedură de măsurare normată prin norma EN 60745 și poate fi folosit pentru a compara uneltele electrice între ele. El se pretează și pentru o evaluare provizorie a solicitării la oscilații.

Gradul de oscilație indicat reprezintă aplicațiile principale ale uneltelor electrice. În cazul în care însă uneltele electrice au fost folosite pentru alte aplicații, ori au fost folosite uneltele de muncă diferite ori acestea nu au fost supuse unei suficiente inspecții de întreținere, gradul de oscilație poate fi diferit. Acest fapt poate duce la o creștere netă a solicitărilor la oscilații dealungul întregii perioade de lucru.

În scopul unei evaluări exacte a solicitării la oscilații, urmează să fie luate în considerație și perioadele de timp în care aparatul a fost oprit ori funcționează dar, în realitate, el nu este folosit în mod practic. Acest fapt poate duce la o reducere netă a solicitărilor la oscilații dealungul întregii perioade de lucru.

Stabiliți măsuri de siguranță suplimentare în scopul protecției utilizatorului de efectele oscilațiilor, de exemplu: inspecție de întreținere a uneltelor electrice și a celor de muncă, păstrarea caldă a mâinilor, organizarea proceselor de muncă.

AVERTIZARE! Citiți toate indicațiile de siguranță și toate instrucțiunile. Nerespectarea indicațiilor de avertizare și a instrucțiunilor poate provoca electrocutare, incendii și/sau răniiri grave.

Păstrați toate indicațiile de avertizare și instrucțiunile în vederea utilizărilor viitoare.

INDICAȚII DE SIGURANȚĂ PENTRU TĂIERE CU CIRCULARUL

Procedura de tăiere

PERICOL: Țineți mâinile departe de zona de tăiere și de pânda de ferăstrău. Cea de-a doua mână țineți-o pe mânerul suplimentar sau pe carcasa motorului. Dacă țineți ferăstrăul circular cu ambele mâini, pânda de ferăstrău nu le poate răni.

Nu introduceți mâna sub piesa de lucru. Apărătoarea nu vă poate proteja sub piesa de lucru.

Adaptați adâncimea de tăiere la grosimea piesei de lucru. Sub piesa de lucru ar trebui să se vadă mai puțin de înălțimea întregă a unui dinte.

Nu țineți niciodată în mână sau pe picior piesa de lucru. Asigurați piesa de lucru pe o platformă stabilă. Este important ca piesa de lucru să fie bine fixată pentru a reduce la minimum pericolul de contact corporal, blocare a pânzei de ferăstrău sau de pierdere a controlului.

Țineți aparatul de mână izolat când executați lucrări la care scula tăietoare poate nimeri peste conductori electrici ascunși. Contactul cu un conductor sub tensiune determină punerea sub tensiune a componentelor metalice ale mașinii și duce la electrocutare.

La tăierea longitudinală folosiți întotdeauna un opritor sau un limitator paralel pentru margini. Acesta sporește

precizia de tăiere și diminuează posibilitatea blocării pânzei de ferăstrău.

Folosiți întotdeauna pânda de ferăstrău de mărime corespunzătoare și cu orificiu de prindere adecvat (de ex în formă de stea sau rotund). Pânzele de ferăstrău care nu se potrivesc elementelor de montaj ale ferăstrăului, se vor roti excentric și vor duce la pierderea controlului.

Nu folosiți niciodată șaibe suport sau șuruburi deteriorate sau greșite pentru pânzele de ferăstrău. Șaibele suport și șuruburile pentru pânzele de ferăstrău au fost special construite pentru ferăstrăul dv., în vederea atingerii unor performanțe și a unei siguranțe optime în exploatare.

Cauzele și evitarea unui recul:

- reculul este o reacție bruscă provocată de o pânda de ferăstrău înțepenită, blocată sau aliniată greșit, care face ca un ferăstrău necontrolat să se ridice și să iasă afară din piesa de lucru deplasându-se în direcția operatorului;

- dacă pânda de ferăstrău se agăța sau se înțepeneste în fâgașul de tăiere, ea se blochează iar puterea motorului aruncă mașina înapoi, în direcția operatorului;

- dacă pânda de ferăstrău se răsucește sau se aliniată greșit în tăietură, dinții muchiei posterioare a pânzei de ferăstrău se apot agăța în suprafața piesei de lucru. CEa ce face ca pânda de ferăstrău să iasă afară din fâgașul de tăiere iar ferăstrăul să sară înapoi, în direcția operatorului.

Reculul este consecința utilizării greșite sau defectuoase a ferăstrăului. El poate fi împiedicat prin măsuri de prevedere adecvate, conform celor descrise în cele ce urmează.

Apucați întotdeauna strâns ferăstrăul cu ambele mâini și aduceți-vă brațele într-o poziție, în care să reziste forțelor de recul. Stați întotdeauna lateral față de pânda de ferăstrău, nu aduceți niciodată pânda de ferăstrău pe

aCEași linie cu corpul dv. În caz de recul ferăstrăul circular poate sări înapoi, însă operatorul are posibilitatea de a stăpâni forțele de recul dacă a fost adoptate măsuri adecvate.

Dacă pânda de ferăstrău se înțepeneste sau dacă tăierea este întreruptă dintr-un anumit motiv, eliberați întreruptorul pornit-oprit și lăsați ferăstrăul nemișcat în materialul de prelucrat, până când pânda de ferăstrău se oprește complet. Nu încercați niciodată să îndepărtați ferăstrăul dn material sau să-l trageți înapoi, atât timp cât pânda de ferăstrău se mai mișcă sau cât mai există încă riscul producerii de recul. Găsiți cauza înțepenirii pânzei de ferăstrău și înlăturați-o prn măsuri adecvate.

Atunci când dorți să reporniți ferăstrăul rămas în piesa de lucru, centrați pânda de ferăstrău în fâgașul de tăiere și verificați dacă dinții acesteia nu sunt agățați în piesa de lucru. Dacă pânda de ferăstrău este înțepenită, ea poate ieși afară din piesa de lucru sau provoca un recul la repornirea ferăstrăului.

Sprîjiți plăcile mari pentru a diminua riscul unui recul provocat de o pânda de ferăstrău înțepenită. Plăcile mari se pot îndoi sub propria lor greutate. Plăcile trebuie sprîjinite pe ambele laturi, atât în apropierea fâgașului de tăiere cât și la margine.

Nu folosiți pânze de ferăstrău tocite sau deteriorate. Pânzele de ferăstrău cu dinții tociți sau aliniați greșit produc, din cauza fâgașului de tăiere prea îngust, o frecare crescută, înțepenirea pânzei de ferăstrău și recul.

Înainte de tăiere fixați prin strângere dispozitivele de reglare a adâncimii și unghiului de tăiere. Dacă în timpul tăierii reglajele se modifică, pânda de ferăstrău se poate înțepeni și provoca apariția reculului.

Fiți foarte precauți atunci când executați o tăiere cu penetrare directă în material într—un sector ascuns, de ex. într-un perete. Pânda de ferăstrău care pătrunde în perete se poate bloca în obiecte ascunse și provoca recul.

Funcția capacului de protecție inferior

Înainte de fiecare întrebuintare, verificați dacă apărătoarea inferioară nu se poate mișca liber și dacă nu se închide instantaneu. Nu fixați și nu legați niciodată apărătoarea inferioară în poziție deschisă. Dacă ferăstrăul cade accidental pe jos, apărătoarea inferioară se poate îndoi. Deschideți apărătoarea inferioară cu maneta de retragere și asigurați-vă că se poate mișca liber și că în toate unghiurile și adâncimile de tăiere nu atinge nici pânda de ferăstrău și nici celelalte componente.

Verificați funcționarea arcului apărătoarei inferioare. Înainte de întrebuintare întrețineți mașina în caz că apărătoarea inferioară și arcul nu lucrează impecabil. Componentele deteriorate, depunerile vâscoase sau aglomerările de așchii duc la acțiunea lentă a apărătoarei inferioare.

Deschideți manual apărătoarea inferioară numai în cazul operațiilor speciale de tăiere ca "tăieri cu penetrare directă în material și tăieri unghiulare". Deschideți apărătoarea inferioară cu maneta de retragere și eliberați-o, de îndată ce pânda de ferăstrău a pătruns în piesa de lucru. La toate celelalte lucrări de tăiere apărătoarea inferioară trebuie să funcționeze automat.

Nu puneți ferăstrăul pe bancul de lucru sau pe podea, fără ca apărătoarea inferioară să acopere pânda de ferăstrău. O pânda de ferăstrău neprotejată, care se mai învâрте din inerție, mișcă ferăstrăul în sens contrar direcției de tăiere și taie tot ce îi stă în cale. Respectați timpul de oprire al ferăstrăului.

INSTRUCȚIUNI SUPLIMENTARE DE SIGURANȚĂ ȘI DE LUCRU

Scoateți acumulatorul înainte de a începe orice intervenție pe mașină.

Nu aruncați acumulatorii uzați la containerul de reziduri menajere și nu îi ardeți. Milwaukee Distributors se oferă să recupereze acumulatorii vechi pentru protecția mediului înconjurător.

Nu depozitați acumulatorul împreună cu obiecte metalice (risic de scurtcircuit)

Folosiți numai încărcătoare System C 18 pentru încărcarea acumulatorilor System C 18 . Nu folosiți acumulatori din alte sisteme.

Nu deschideți niciodată acumulatorii și încărcătoarele și pastrați-le numai în încăperi uscate. Pastrați-le întotdeauna uscate .

Nu utilizați lamele care nu corespund datelor oferite în prezentele Instrucțiuni de utilizare.

Purtați aparatoare de urechi. Expunerea la zgomot poate produce pierderea auzului.

Montarea unor discuri abrazive este interzisă!

Dacă apărătoarea transparentă a pânzei de ferăstrău este fisurată sau spartă, aceasta trebuie să fie înlocuită imediat de un atelier autorizat. Exploatarea mașinii este interzisă dacă apărătoarea transparentă a pânzei de ferăstrău este defectă sau lipsește.

CONDIȚII DE UTILIZARE SPECIFICATE

Cuțitul metalic taie lungimi și unghiuri cu precizie în diferite tipuri de materiale cum ar fi profile metalice (UniStruT), țevi, stâlpi de metal, canale, profile de aluminiu, plăci metalice, etc.

Nu utilizați acest produs în alt mod decât cel stabilit pentru utilizare normală

DECLARAȚIE DE CONFORMITATE

Declarăm pe propria răspundere că produsul descris la "Date tehnice" este în concordanță cu toate prevederile legale relevante ale Directivei 2011/65/EU (RoHS), 2014/30/UE, 2006/42/CE și cu următoarele norme armonizate:

EN 60745-1:2009 + A11:2010


EN 60745-2-5:2010

EN 55014-1:2006 + A1:2009 + A2:2011

EN 55014-2:1997 + A1:2001 + A2:2008

EN 50581:2012

Winnenden, 2016-03-29



Alexander Krug
Managing Director



Împuternicit să elaboreze documentația tehnică.

Techtronik Industries GmbH
Max-Eyth-Straße 10
71364 Winnenden
Germany

ACUMULATORI

Vă rugăm notați informațiile specifice referitoare la acumulatorii Milwaukee 18V din manualul de instrucțiuni al încărcătorului.

Acumulatorii care nu au fost utilizați o perioadă de timp trebuie reîncărcați înainte de utilizare.

Temperatura mai mare de 50°C (122°F) reduce performanța acumulatorului. Evitați expunerea prelungită la căldură sau radiație solară (risic de supraîncălzire)

Contactele încărcătoarelor și acumulatorilor trebuie păstrate curate.

Пену о дурабилитате оптимă, акумулатори требае реинкарџа комплет дупă folosire.

Пену о дуратă де виатă љат май лунгă, акумулатори ар trebui scoși din încărcător дупă încărcare.

La depozitarea acumulatorilor mai mult de 30 zile: Акумулатори се депозитеатă а cca. 27°C љи а loc uscat. Акумулатори се депозитеатă а nivelul de încărcare de cca. 30%-50%.

Акумулатори се încарџă din nou а fiecare 6 luni.

PROTECȚIE SUPRAÎNCĂRCARE ACUMULATOR

În caz de supraîncărcare а акумулаторули prin consum foarte ridicat de curent, de ex. cupluri mecanice extrem de mari, întepeњirea burghiului, îњterupere bruscă sau scurtcircuit, unealta electrică produce timp de 2 secunde un zgomot îњfundat, дупă care се decuplează de а sine. Îн vederea recuplării, даџи drumul butonului de comutare, iar apoi efectuaџи о nouă cuplare.

Îн condiџи de încărcări extreme, акумулаторули се poate încăлзи peste măsură. Îн acest caz, акумулаторули се decuplează.

Пену а-л реинкарџа љи activa, puneџи акумулаторули Îн апаратули de încărcare.

TRANSPORTUL ACUMULATORILOR CU IONI DE LITIU

Акумулатори cu иони de litiu cad sub incidența prescripțiilor legale pentru transportul de mărfuri periculoase.

Transportul acestor acumulatori trebuie să се efectueze cu respectarea prescripțiilor љи reglementărilor pe plan local, național љи internațional.

- Consumatorilor le este permis transportul rutier nerestrictionat al acestui tip de acumulatori.
- Transportul comercial al acumulatorilor cu иони de litiu prin intermediul firmelor de expediție љи transport este supus reglementărilor transportului de mărfuri periculoase. Pregătirile pentru expediție љи transport au voie să fie efectuate numai de către personal instruit corespunzător. Îњregelul proces trebuie asistat Îн mod competent.

Următoarele puncte trebuie avute Îн vedere а transportul acumulatorilor:

- Пену а се evita scurtcircuite, asiguraџи-vă de faptul că sunt protejate љи izolate contactele.
- Aveџи grijă ca pachetul de acumulatori să nu poată aluneca Îн altă poziție Îн interiorul ambalajului său.
- Este interzis transportarea unor acumulatori deterioraџи sau care pierd lichid.

Пену indicaџи suplimentare adresаџи-vă firmei de expediție љи transport cu care colabораџи.

INSTRUCȚIUNI DE UTILIZARE

Mașina се deconectează automat dacă motorul este Îн suprasarcina. Lasаџи să се răcească, apăсаџи butonul de suprasarcină љи reporniџи mașina. Dacă protecția а suprasarcina deconectează frecvent, reduceџи presiunea de tăiere sau адăncimea de tăiere.

INTREȚINERE

Asiguraџи-vă că deconectaџи unealta de а sursa de alimentare Îнainte de атаșarea sau îњлăturarea lamei ferăstrăului.

Curăтаџи апаратули љи dispozitivul de protecție cu о lavetă uscată. Unii agenџи de curăтаџи deteriorează materialul plastic љи alte componente izolate. Păstraџи апаратули curat, uscat љи ștergeџи-l de uleiul љи vaselina care s-au scurs. Verificaџи funcționarea carcaselor de protecție. Îнтретіњirea љи curăтаrea efectuate Îн mod regulat, asigură о durată de exploatare lungă љи о manipulare Îн condiџи de siguranță.

Utilizaџи numai accesorii љи piese de schimb Milwaukee.

Dacă unele din componente care nu au fost descrise trebuie Îнlocuite, vă rugăm contactаџи unul din agenџи de service Milwaukee (vezi lista noastră pentru service / garanție)

Dacă este necesar, puteџи solicita de а centrul dvs. de service pentru clienџи sau direct а Techtronic Industries GmbH, Max-Eyth-Straße 10, 71364 Winnenden, Germania un desen descompus al апаратули prin indicarea tipului de апарат љи а numărului cu șase cifre de pe tăблăта indicatoare.

SIMBOLURI



PERICOLI AVERTIZARE! ATENȚIE!



Îнdepărтаџи акумулаторули Îнainte de Înceњerea lucrului pe mașina



Vă rugăm citiџи cu atenție instrucțiunile Îнainte de pornirea mașinii



Purтаџи Îнтоdeauna ochelari de protecție când utilizaџи mașina.



Aruncarea апарателор electricе а gunoii menajer este interzisă. Echipamentele electricе љи electronice trebuie colectate separat љи predate а un centru de reciclare љи eliminare а deșeurilor, pentru а fi eliminate ecologic. Interesaџи-vă а autoritățile locale sau а comercianțул dvs. de specialitate unde се афлă centre de reciclare љи puncte de colectare.



Marcaj CE



Marcaj național de conformitate Ucraina



Marcaj de conformitate EurAsian.

ТЕХНИЧКИ ПОДАТОЦИ КРУЖНА ПИЛА НА БАТЕРИИ

HD 18 MS

Производен број.....	4312 58 02... ...000001-999999
Брзина без оптоварување.....	3600 min ⁻¹
Сечило на пила дијаметар x дијаметар на отвор.....	135 x 20 mm
Максимални перформанси при сечење	
Челична плочка.....	1,6 mm
Цевки.....	∅ 50 mm
Делови.....	51 mm
Волтажа на батеријата.....	18 V
Тежина според ЕПТА-процедурата 01/2003.....	2,6 kg

Информација за бучавата/вибрациите

Измерените вредности се одредени согласно стандардот EN 60 745.

Типично очекувано ниво на звучен притисок на алатот е:

Ниво на звучен притисок. (Несигурност K=3dB(A))..... 75 dB (A)
Ниво на јачина на звук. (Несигурност K=3dB(A))..... 86 dB (A)

Носте штитник за уши.

Вкупни вибрациски вредности (векторски збир на трите насоки) пресметани согласно EN 60745.

Вибрациска емисиона вредност a_w..... < 2,5 m/s²
Несигурност K =..... 1,5 m/s²

ПРЕДУПРЕДУВАЊЕ

Нивото на осцилација наведено во овие инструкции е измерено во согласност со мерните постапки нормирани во EN 60745 и може да биде употребено за меѓусебна споредба на електро-алати. Ова ниво може да се употреби и за привремена проценка на оптоварувањето на осцилацијата.

Наведеното ниво на осцилација ги репрезентира главните намени на електро-алатот. Но, доколку електро-алатот се употребува за други намени, со отстапувачки додатоци или со несоодветно одржување, нивото на осцилација може да отстапи. Тоа може значително да го зголеми оптоварувањето на осцилацијата за време на целиот работен период.

За прецизна проценка на оптоварувањето на осцилацијата предвид треба да бидат земени и времињата, во коишто апаратот е исклучен или работи, но фактички не се употребува. Тоа може значително да го намали оптоварувањето на осцилацијата за време на целиот работен период.

Утврдете дополнителни безбедносни мерки за заштита на операторот од влијанието на осцилациите, како на пример: одржување на електро-алатот и на додатоци кон електро-алатот, одржување топли раце, организација на работните процеси.

⚠ ВНИМАНИЕ! Прочитаџи ги безбедносните напомени и упатства. Заборавање на почитувањето на безбедносните упатства и инструкции можат да предизвикаат електричен удар, пожар и/или тешки повреди.

Сочуваџи ги сите безбедносни упатства и инструкции за во иднина.

⚠ НАПОМЕНИ ЗА БЕЗБЕДНОСТ ЗА КРУЖНИ ПИЛИ

Постапка на пилење

⚠ Опасност: Држете ги рацете настрана од зоната на сечење. Држете ја другата рака на помошната рачка или куќиштето на моторот. Доколку пилата ја држите со двете раце, не можете да се пресечете од сечилото.

Не посегаџи под обработуваното парче. Заштитата не може да Ве заштити од сечилото под обработуваното парче.

Прилагодете ја длабочината на засекот во зависност од густината на обработуваното парче. Нешто помалку од цел забег од сечилото треба да биде видлив под работното парче.

Никогаш не го држете парчето кое се обработува со раце или преку нога. Обезбедете го на стабилна површина. Важно е соодветно да ја потпирате работата како би ја минимизирале телесната изложеност, викањето на сечилото или губењето контрола.

Држете го електричниот алат за издадените површини при изведување на операции при кои алатот за сечење можат да дојдат во контакт со скриени жици. Контакт со жица под напон исто така ќе направи проводници од металните делови и оној кој ракува со алатот ќе доживее струен удар.

При ракување со рачна пила користете бариера или водилка под прав агол. Ова ја подобрува прецизноста на резот и го намалува ризикот од свиткување на сечилото.

Секогаш користете сечила со соодветна големина и форма (дијамантски наспроти кружни) или крунски пили. Сечила кои не одговараат на монтираниот хардвер на пилата ќе се движат неправилно предизвикувајќи губење на контролата.

Никогаш не користете оштетени или несоодветни средства за чистење или ... Тие средства и... Се специјално наменети за вашата пила, за оптимални перформанси и сигурност при користењето.

Причини и начин на спречување на повратен ефект.

- повратниот ефект е ненадејна реакција при откршување, свиткување или изместување на сечилото, и предизвикува неконтролираното сечило од пилата да се крене и да излезе од обработуваното парче кон оној кој работи.

- кога сечилото е открито или цврсто завиткано од ... затворањето, запците на сечилото и реакцијата на моторот ја турка брзо назад кон оној кој работи со неа.

- доколку сечилото се извита или се измести во сечењето, забегот на надворешниот раб на сечилото може да се зарие во горната површина на дрвото правејќи сечилото да излезе од лежиште и да скокне кон оној кој работи.

Повратниот ефект е резултат на неправилна употреба на пилата и/или некоректни работни процедури или услови и може да биде избегнат со превземање на соодветни претпазливи постапки наведени подолу.

Држете цврсто со двете раце кои се поставени да пружат отпор при повратен удар. Поставете го вашето тело од било која страна на сечилото, но не во негова

линија. Повратниот удар може да предизвика пилата да потскокне наназад, но јачината на повратниот удар може да биде контролирана од операторот доколку се преземени соодветни мерки на претпазливост.

Кога сечилото се свиткало, или прекин на сечењето од било која причина, ослободете го прекинувачот и држете го ножот во материјалот без да делувате, се додека не дојде до потполно запирање на сечилото. Никогаш не се обидувајте да ја тргнете пилата или да ја повлечете наназад додека сечилото се движи или може да се појави повратен удар. Испитајте ги и преземете корективни чекори за да ја елиминирате причината за свиткување на сечилото.

По рестартирање на пилата во обарботуваното парче, центрирајте го сечилото на пилата во крвината и проверете запците на пилата да не се навлезени во материјалот. Доколку сечилото на пилата е свиткано, може да тргне нагоре или да излезе од обработуваното парче, кога таа ќе се стартува.

Потпирајте ги големите панели како би го минимизирале ризикот од свиткување на сечилото и повратен удар. Големите панели имаат тенденција да се свиткаат под сопствената тежина. Мора да биде поставена потпора под панелот од двете страни, блиску до линијата на сечење и блиску до работ на панелот.

Не користете отапени или оштетени сечила. Ненаострните или не соодветно поставените сечила создаваат остра кривина која предизвикува интензивно триење, виткање на сечилото и повратен удар.

Длабочината на сечилото и прилагодувањето заклучувач на рачката мора да биде стегнати и обезбедени пред да се сече. Доколку се промени подесувањето за време на сечењето може да дојде со свиткување и повратен удар.

Бидете екстремно претпазливи при рез со забодување во постоечки сидови или други армирани површини.

Функција на долниот заштитен поклопец

Проверете ја долната заштита дали е соодветно затворена пред секоја употреба. Не работете со пилата доколку долната заштита не се движи слободно и не се затвора моментално. Никогаш не ја затегнувајте ниту врзувајте долната заштита во отворена позиција. Доколку пилата падне ненамерно, долната заштита може да се свитка. Кренете ја долната заштита со повлекување на рачката и осигурете се дека се движи слободно не допирајќи до сечилото или било кој друг дел под било кој агол и длабочина на засек.

Проверете го функционирањето на федерот на долната заштита. Доколку заштитата и федерот не се отвораат соодветно, мора пред употреба да бидат сервисирани. Долната заштита може да функционира тромо поради оштетените делови, лепливи остатоци или насобрани делчиња.

Долната заштита треба да биде рачно повлечена само при специјални резови како „резови со забодување,, или „сложени резови,,. Кренете ја долната заштита со повлекување на рачката веднаш штом сечилото влезе во материјалот, долната заштита мора да биде отпуштена. При секое друго сечење, долната заштита мора да работи автоматски.

Секогаш гледајте долната заштита да го покрива сечилото пред пилата да ја спуштите на маса или под. Незаштитено лизгање на сечилото ќе предизвика пилата да тргне наназад, сечејќи се што ќе се најде на патот. Бидете свесни за потребното време за кое сечилото престанува да работи, по ослободувањето на прекинувачот.

ОСТАНАТИ БЕЗБЕДНОСНИ И РАБОТНИ УПАТСТВА

Не користете сечила кои не одговараат на пропишаните параметри дадени во овој прирачник за употреба.

Ве молиме не користете абразивни дискови-шмиргли на оваа машина!

Отстранете ја батеријата пред да започнете да ја користите машината.

Не ги оставајте искористените батерии во домашниот отпад и не горете ги. Дистрибутерите на Милваукеј ги собираат старите батерии, со што ја штитат нашата околина.

Не ги чувајте батериите заедно со метални предмети (ризик од краток спој).

Користете исклучиво Систем С 18 за полнење на батерии од С 18 систем. Не користете батерии од друг систем.

Не ги отворајте насилно батериите и полначите, и чувајте ги само на суво место. Чувајте ги постојано суви.

Носете штитник за уши. Изложеноста на бука може да предизвика губење на слухот.

Ве молиме не користете абразивни дискови-шмиргли на оваа машина!

Доколку просирниот капак на пилата е напуканат или скршен, морате веднаш да го замените во специјализиран сервис, а машината не смее да се користи без капак на сечилото или ако истиот е оштетен!

СПЕЦИФИЦИРАНИ УСЛОВИ НА УПОТРЕБА

Металниот сечач сече надолжно и триаголно прецизно во различни типови на метали како метални профили, цевки, метална арматура, канали, алуминиумски профили, метални лимови итн.

Не го користете овој производ на било кој друг начин освен пропишаниот за нормална употреба.

ЕЛЕКТРИЧНА КОЧНИЦА

При ослободување на притискачот од прекинувачот дискот за сечење се запира во рок од 2 секунди преку електричната кочница. Но, електричната кочница може да дејствува и одложено. Понекогаш електричната кочница не е делотворна. Доколку електричната кочница не дејствува почесто, во тој случај пилата мора да биде донесена до овластен сервис-центар на Milwaukee. Дури по постигнување на состојба на мирување на дискот за сечење извлечете ја пилата од обработуваниот материјал.

ЕУ-ДЕКЛАРАЦИЈА ЗА СООБРАЗНОСТ

Во своја сопствена одговорност изјавуваме дека под "Технички податоци" опишаниот производ е во склад со сите релевантни прописи од регулативата 2011/65/EU (RoHS), 2014/30/EU, 2006/42/EC и следните хармонизирачки нормативни документи:

EN 60745-1:2009 + A11:2010
EN 60745-2-5:2010
EN 55014-1:2006 + A1:2009 + A2:2011
EN 55014-2:1997 + A1:2001 + A2:2008
EN 50581:2012

Winnenden, 2016-03-29



Alexander Krug
Managing Director

Ополномоштен за составување на техничката документација.

Techtronic Industries GmbH
Max-Eyth-Straße 10
71364 Winnenden
Germany



БАТЕРИИ

Подолг период неупотребувани комплекти батерии да се наполнат пред употреба.

Температура повисока од 50°C (122°F) го намалуваат траењето на батериите. Избегнувајте подолго изложување на батериите на високи температури или сонце (ризик од прегревање).

Клемите на полначот и батериите мора да бидат чисти.

За оптимален работен век, по употреба батериите мора да бидат целосно наполнети.

За можно подолг век на траење, апаратите после нивното полнење треба да бидат извадени од апаратот за полнење на батериите.

Во случај на складирање на батеријата подолго од 30 дена: Акумулаторот да се чува на температура од приближно 27°C и на суво место.

Акумулаторот да се складира на приближно 30%-50% од состојбата на наполнетост.
Акумулаторот повторно да се наполни на секои 6 месеци.

ЗАШТИТА ОД ПРЕОПТЕРЕТУВАЊЕ НА БАТЕРИЈАТА

При преоптоварување на батеријата со многу висока потрошувачка на струја, на пример екстремно високи вртежни моменти, заглавување на дупчалката, ненадејно запирање или краток спој, електро-уредот бучи 2 секунди, а потоа самостојно се гаси.

За повторно вклучување ослободете го прекинувачот и вклучете повторно.

Во случај на екстремни оптоварувања батеријата може да загрее многу. Во таков случај батеријата исклучува. Тогаш ставете ја батеријата во уредот за полнење за повторно да ја напоните и активирате.

ТРАНСПОРТ НА ЛИТИУМ-ЈОНСКИ БАТЕРИИ

Литиум-јонските батерии подлежат на законските одредби за транспорт на опасни материи.

Транспортот на овие батерии мора да се врши согласно локалните, националните и меѓународните прописи и одредби.

- Потрошувачите на овие батерии може да вршат непречен патен транспорт на истите.
- Комерцијалниот транспорт на литиум-јонски батерии од страна на шпедитерски претпријатија подлежи на одредбите за транспорт на опасни материи. Подготовките за шпедиција и транспорт треба да ги вршат исклучиво соодветно обучени лица. Целокупниот процес треба да биде стручно надгледуван.

При транспортот на батерии треба да се внимава на следното:

- Осигурајте се дека контактите се заштитени и изолирани, а сето тоа со цел да се избегнат кратки споеви.
- Внимавајте да не дојде до изместување на батериите во нивната амбалажа.
- Забранет е транспорт на оштетени или протечени литиум-јонски батерии.

За понатамошни инструкции обратете се до Вашето шпедитерско претпријатие.

ОДРЖУВАЊЕ

Вентилациските отвори на машината мора да бидат комплетно отворени постојано.

Уверете се дека алатката е исклучена од напојување пред да го прикачите или отстраните сечилото.

Апаратот и заштитната направа очистете ја со сува крпа. Некои средства за чистење ја оштетуваат пластиката или други изолирани делови. Одржувајте го апаратот чист и сув како и неизвалкан од истечено масло и масти. Проверете ја функцијата на заштитните хауби. Редовно одржување и чистење обезбедува долг век и безбедно ракување.

Користете само Milwaukee додатоци и резервни делови. Доколку некои од компонентите кои не се опишани треба да бидат заменети, Ве молиме контактирајте ги сервисните агенти на Milwaukee (консултирајте ја листата на адреси).

При потреба може да се побара експлозионен цртеж на апаратот со наведување на машинскиот тип и шестоцифрениот број на табличката со учинокот или во Вашата корисничка служба или директно кај Techtronic Industries GmbH, Max-Eyth-Straße 10, 71364 Winnenden, Германија.

СИМБОЛИ



**ВНИМАНИЕ! ПРЕДУПРЕДУВАЊЕ!
ОПАСНОСТ!**



Извадете го батерискиот склоп пред отпочнување на каков и да е зафат врз машината.



Ве молиме пред да ја стартувате машината обрнете внимание на упатствата за употреба.



Секогаш при користење на машината носете ракавици.



Електричните апарати не смеат да се фрлат заедно со домашниот отпад. Електричните и електронските апарати треба да се собираат одделно и да се однесат во соодветниот погон заради нивно фрлање во склад со начелата за заштита на околината. Информирајте се кај Вашите местни служби или кај специјализираниот трговски претставник, каде има такви погони за рециклажа и собирајни станици.



CE-знак



Национален конформитетски знак за Украина



EurAsian (Евроазиски) знак на конформитет.

ТЕХНІЧНІ ХАРАКТЕРИСТИКИ	ПІЛКА ПО МЕТАЛУ	HD 18 MS
Номер виробу.....	4312 58 02...	...000001-999999
Кількість обертів холостого ходу.....	3600 min ⁻¹	
Ø пилкового диску x Ø отвору.....	135 x 20 mm	
макс. продуктивність різання		
Листова сталь.....	1,6 mm	
Труби.....	Ø 50 mm	
Профілі.....	51 mm	
Напруга змінної акумуляторної батареї.....	18 V	
Вага згідно з процедурою EPTA 01/2003.....	2,6 kg	

Шум / інформація про вібрацію

Вимірні значення визначені згідно з EN 60 745.

Рівень шуму "А" приладу становить в типовому випадку:

Рівень звукового тиску (похибка K = 3 дБ(А)).....	75 dB (A)
Рівень звукової потужності (похибка K = 3 дБ(А)).....	86 dB (A)

Використовувати засоби захисту органів слуху!

Сумарні значення вібрації (векторна сума трьох напрямків), встановлені згідно з EN 60745.

Значення вібрації a _h	< 2,5 m/s ²
похибка K =.....	1,5 m/s ²

ПОПЕРЕДЖЕННЯ

Рівень вібрації, вказаний в цій інструкції, вимірювався згідно з методом вимірювання, нормованим стандартом EN 60745, і може використовуватися для порівняння електроінструментів. Він призначений також для попередньої оцінки навантаження від вібрації.

Вказаний рівень вібрації відповідає основним сферам використання електроінструменту. Але якщо електроінструмент використовується для іншої мети, з іншими вставними інструментами або при недостатньому технічному обслуговуванні, рівень вібрації може бути іншим. Це може значно підвищити навантаження від вібрації за весь період роботи.

Для точної оцінки навантаження від вібрації необхідно також враховувати час, коли прилад вимкнений або увімкнений, але фактично не використовується. Це може значно зменшити навантаження від вібрації за весь період роботи.

Визначте додаткові заходи безпеки для захисту оператора від дії вібрації, наприклад: Технічне обслуговування електроінструменту та вставних інструментів, зігрівання рук, організація робочих процесів.

▲ ПОПЕРЕДЖЕННЯ! Прочитайте всі вказівки з техніки безпеки та інструкції. Упущення при дотриманні вказівок з техніки безпеки та інструкції можуть призвести до ураження електричним струмом, пожежі та/або тяжких травм. **Зберігайте всі вказівки з техніки безпеки та інструкції на майбутнє.**

▲ ВКАЗІВКИ З ТЕХНІКИ БЕЗПЕКИ ДЛЯ ЦИРКУЛЯРНИХ ПІЛОК

Процес пиляння

##Achtung##Небезпечно: Руки не повинні знаходитися в області пиляння та поблизу пилкового диску. Тримайте другою рукою додаткову рукоятку або корпус двигуна. Коли ви тримаєте циркулярну пилку обома руками, пилковий диск не може травмувати руки.

Не простягайте руку під заготовку. Захисний кожух не може захистити від пилкового диску під заготовкою.

Глибина різання повинна відповідати товщині заготовки. Під заготовкою пилковий диск має виступати не більше, ніж на одну повну висоту зубці.

Ніколи не тримайте заготовку, яку необхідно розпилити, в руці або на носі. Зафіксуйте заготовку на стабільній опорі. Важливо добре закріпити заготовку, щоб знизити до мінімуму небезпеку контакту з частинами тіла, заклинювання пилкового диску або втрати контролю.

Під час виконання робіт тримайте прилад за ізольовані поверхні рукояток, якщо вставний інструмент може натратити на приховані електричні лінії.

Контакт з лінією під напругою може призвести до появи напруги в металевих частинах приладу та до ураження електричним струмом.

При поздовжньому різанні завжди використовуйте упор або прямий кромкопрямовувач. Цим покращується точність різання та зменшується вірогідність заклинювання пилкового диску.

Використовувати пилкові диски завжди необхідного розміру та з відповідним отвором для кріплення (наприклад, у формі зірочки або круглий). Пилкові диски, які не пасують до деталей кріплення пилки, працюють не плавно та ведуть до втрати контролю.

Ніколи не використовувати пошкоджені або невідповідні підкладні шайби або гвинти для пилкового диску. Підкладні шайби та гвинти пилкового диску розроблені спеціально для вашої пилки, для її оптимальної продуктивності та безпеки при роботі.

Причини та запобігання віддачі:

– Віддача - це раптова реакція внаслідок затинання, заклинювання або неправильного вирівнювання пилкового диску, яка призводить до того, що без контролю пилка піднімається, виходить з заготовки та рухається в напрямку оператора;

– Коли пильний диск застрягає або заклинюється в розрізі, що закривається, він блокується, сила двигуна відштовхує прилад назад в напрямку оператора;

– Коли пилковий диск в розрізі повертається або неправильно спрямовується, зубці задньої кромки пилкового диску можуть застрягнути в поверхні заготовки, внаслідок чого пилковий диск виходить з розпилу і пилка відскакує в напрямку оператора.

Віддача є наслідком неправильного або помилкового використання пилки. Її можна попередити відповідними запобіжними заходами, як описано нижче.

Тримайте пилку міцно обома руками, руки повинні бути в такому положенні, в котрому вони можуть витримати сили віддачі. Стійте завжди збоку від пилкового диску, ніколи не тримайте пилковий диск

на одній лінії з тілом. При віддачі циркулярна пилка може відкочити назад, однак оператор може протидіяти силам віддачі, якщо вживає відповідних заходів.

Якщо пилковий диск заклинюється або пиляння переривається з іншої причини, відпустіть вимикач та тримайте пилку в матеріалі, не зсуваючи її, доки пилковий диск повністю не зупиниться. Ніколи не намагайтеся видалити пилку із заготовки або тягнути її назад, доки пилковий диск рухається - інакше може статися віддача. Знайдіть причину заклинювання пилкового диску та усуньте її, вживаючи відповідних заходів.

Якщо ви бажаєте запустити пилку, яка знаходиться у заготовці, потрібно центрувати пилковий диск в розпилі та перевірити, чи не застрягли зубці пилки в заготовці. Якщо пилковий диск заклинюється, він може вийти з заготовки та спричинити віддачу при наступному запуску пилки.

Під великі плити необхідно ставити опори, щоб зменшити ризик віддачі через заклинювання пилкового диску. Великі плити можуть прогинатися під власною вагою. Плити повинні мати опору з обох боків, поблизу розрізу та на краю.

Не використовувати тупі або пошкоджені пилкові диски. Пилкові диски з тупими або неправильно спрямованими зубцями спричинюють надмірне тертя в вузькому розпилі, заклинювання пилкового диску та віддачу.

Перед пилянням підтягнути налаштування глибини та кута пиляння. Якщо під час пиляння змінити налаштування, це може призвести до заклинювання пилкового диску та віддачі.

Будьте особливо обережні при виконанні "пропилів з зануренням" в змонтованих стінах або на інших ділянках з поганим оглядом. Пилковий диск, який занурюється, може блокуватися при пилянні в прихованих об'єктах та спричинити віддачу.

Функція захисного кожуха

Перевіряйте перед кожним використанням, щоб нижній захисний кожух справно закривався. Не можна користуватися пилкою, якщо нижній захисний кожух не рухається вільно та не закривається одразу. Ніколи не фіксуйте і не прив'язуйте нижній захисний кожух у відкритому положенні. Якщо пилка випадково падає на землю, нижній захисний кожух може зігнути. Відкривайте захисний кожух важелем та забезпечте його вільний рух. Для будь-якого кута та глибини пиляння захисний кожух не повинен торкатися до пилкового диску чи інших деталей.

Перевірте функцію пружини нижнього захисного кожуха. Перед використанням необхідно виконати технічне обслуговування приладу, якщо нижній захисний кожух і пружина не працюють справно. Пошкоджені деталі, клейкі відкладення та накопичення стружки уповільнюють роботу нижнього захисного кожуха.

Відкривайте нижній захисний кожух вручну тільки для особливих розрізів, наприклад "занурювальних та кутових пропилів". Відкривайте нижній захисний кожух важелем та відпустіть його, як тільки пилковий диск занурюється в заготовку. Для всіх інших робіт з пиляння нижній захисний кожух має працювати автоматично.

Не кладіть пилку на верстат або на землю, якщо нижній захисний кожух не закриває пилковий диск. Незахищений пилковий диск працює по інерції, він пересуває пилку в напрямку, протилежному напрямку пиляння, і ріже все, що знаходиться на його шляху. Тому зверніть увагу на час вибігу пилки по інерції.

ДОДАТКОВІ ІНСТРУКЦІЇ З ТЕХНІКИ БЕЗПЕКИ ТА ЕКСПЛУАТАЦІЇ

Перед будь-якими роботами на машині виїняти змінну акумуляторну батарею

Відпрацьовані знімні акумуляторні батареї не можна кидати у вогонь або викидати з побутовими відходами. Milwaukee пропонує утилізацію старих знімних акумуляторних батарей, безпечно для довкілля; зверніться до свого дилера.

Не зберігати знімні акумуляторні батареї разом з металевими предметами (небезпека короткого замикання).

Знімні акумуляторні батареї системи C 18 заряджати лише зарядними пристроями системи C 18. Не заряджати акумуляторні батареї інших систем.

Не відкривати знімні акумуляторні батареї і зарядні пристрої та зберігати їх лише в сухих приміщеннях. Беретти від вологи.

Пил, що утворюється під час роботи, часто буває шкідливим для здоров'я; він не повинен потрапляти в організм. Носити відповідну маску для захисту від пилу.

Пилкові диски, які не відповідають технічним параметрам цієї інструкції з експлуатації, використовувати не можна.

Користуйтеся засобами захисту органів слуху. Вплив шуму може спричинити втрату слуху.

Не використовувати шліфувальні диски!

Якщо прозора кришка пилкового диску тріснула або зламалась, її необхідно відразу замінити в авторизованому сервісному центрі. У разі несправності або відсутності кришки пилкового диску працювати з машиною не можна.

ВИКОРИСТАННЯ ЗА ПРИЗНАЧЕННЯМ

Пилка по металу може використовуватися для виконання прямих розрізів різних видів металів, наприклад, металевих профілів (UniStrut), труб, стояків для сухого будівництва, кабельних каналів, алюмінієвих профілів, металевих листів та ін.

Цей прилад можна використовувати тільки за призначенням так, як вказано в цьому документі.

СЕРТИФІКАТ ВІДПОВІДНОСТІ ВИМОГАМ ЄС

Ми заявляємо на власну відповідальність, що виріб, описаний в "Технічних даних", відповідає всім застосованим положенням директиви 2011/65/EU (RoHS), 2014/30/EU, 2006/42/EG, та наступним гармонізованим нормативним документам:

EN 60745-1:2009 + A11:2010
EN 60745-2-5:2010
EN 55014-1:2006 + A1:2009 + A2:2011
EN 55014-2:1997 + A1:2001 + A2:2008
EN 50581:2012
Winnenden, 2016-03-29



Alexander Krug
Managing Director



Уповноважений із складання технічної документації.
Techtronic Industries GmbH
Max-Eyth-Straße 10
71364 Winnenden
Germany

АКУМУЛЯТОРНІ БАТАРЕЇ

Дотримуватись спеціальних вказівок щодо акумуляторних батарей Milwaukee V 28, зазначених в інструкції з експлуатації зарядного пристрою.

Зміню акумуляторну батарею, що не використовувалася тривалий час, перед використанням необхідно підзарядити.

Температура понад 50 °C зменшує потужність змінної акумуляторної батареї. Уникати тривалого нагрівання сонячними променями або системою обігріву.

З'єднувальні контакти зарядного пристрою та змінної акумуляторної батареї повинні бути чистими.

Для забезпечення оптимального строку експлуатації акумуляторні батареї після використання необхідно повністю зарядити.

Для забезпечення максимально можливого терміну експлуатації акумуляторні батареї після зарядки необхідно виймати з зарядного пристрою.

При зберіганні акумуляторної батареї понад 30 днів: Зберігати акумуляторну батарею при температурі приблизно 27 °C в сухому місці.

Зберігати акумуляторну батарею в стані зарядки приблизно 30-50 %.

Кожні 6 місяців знову заряджати акумуляторну батарею.

ЗАХИСТ АКУМУЛЯТОРНОЇ БАТАРЕЇ ВІД ПЕРЕВАНТАЖЕННЯ

Акумуляторний блок оснащений захистом від перевантаження, який захищає акумуляторну батарею від перевантаження і забезпечує тривалий термін експлуатації.

При надзвичайно великих навантаженнях робоча лампочка блимає, що свідчить про перевантаження.

Якщо навантаження не зменшується, машина автоматично вимикається. Для продовження роботи вимкнути і знов увімкнути машину. Якщо машина не вмикається, можливо, розряджений акумуляторний блок, його необхідно знову зарядити в зарядному пристрої.

ТРАНСПОРТУВАННЯ ЛІТІЙ-ІОННИХ АКУМУЛЯТОРНИХ БАТАРЕЙ

Літій-іонні акумуляторні батареї підпадають під законодаположення про перевезення небезпечних вантажів.

Транспортування таких акумуляторних батарей повинно відбуватися із дотриманням місцевих, національних та міжнародних приписів та положень.

- споживачі можуть без проблем транспортувати ці акумуляторні батареї по вулиці.
- Комерційне транспортування літій-іонних акумуляторних батарей експедиторськими компаніями підпадає під положення про транспортування небезпечних вантажів. Підготовку до відправлення та транспортування можуть здійснювати виключно особи, які пройшли відповідне навчання. Весь процес повинні контролювати кваліфіковані фахівці.

При транспортуванні акумуляторних батарей необхідно дотримуватись зазначених далі пунктів:

- Переконайтеся в тому, що контакти захищені та ізольовані, щоб запобігти короткому замиканню.
- Слідкуйте за тим, щоб акумуляторна батарея не переміщувалася всередині упаковки.
- Пошкоджені акумуляторні батареї, або акумуляторні батареї, що потекли, не можна транспортувати.

Для отримання подальших вказівок звертайтеся до своєї експедиторської компанії.

ВКАЗІВКИ ЩОДО ЕКСПЛУАТАЦІЇ

При перевантаженні двигуна машина автоматично вимикається. Після охолодження знову натиснути кнопку перевантаження та знову увімкнути машину. При частому вимиканні захисного пристрою при перевантаженні зменшити тиск при різанні або глибину різання.

ОБСЛУГОВУВАННЯ

Переконайтеся в тому, що прилад від'єднаний від джерела живлення, перш ніж встановлювати або знімати пилоквотний диск.

Чистити прилад та захисний пристрій сухою серветкою. Деякі засоби для чищення завдають шкоду полімерному матеріалу або іншим ізольованим деталям. Тримати прилад в чистому та сухому стані, з нього не повинні витікати олива або мастило. Перевірте функціонування захисних кожухів. Регулярне технічне обслуговування та чищення забезпечують тривалий термін експлуатації та безпечну роботу.

Чистити інструмент чистою ганчіркою.

Використовувати тільки комплектуючі та запчастини Milwaukee. Деталі, заміна яких не описується, замінювати тільки в відділі обслуговування клієнтів Milwaukee (зверніть увагу на брошуру "Гарантія / адреси сервісних центрів").

У разі необхідності можна запросити креслення з зображенням вузлів машини в перспективному вигляді, для цього потрібно звернутися в ваш відділ обслуговування клієнтів або безпосередньо в Techtronic Industries GmbH, Max-Eyth-Straße 10, 71364 Winnenden, Німеччина, та вказати тип машини та шестизначний номер на фірмовій табличці з даними машини.

СИМВОЛИ



УВАГА! ПОПЕРЕДЖЕННЯ! НЕБЕЗПЕЧНО!



Перед будь-якими роботами на приладі вийняти змінну акумуляторну батарею.



Уважно прочитайте інструкцію з експлуатації перед введенням пристрою в дію.



Під час роботи з машиною завжди носити захисні окуляри.



Електричні пристрої не можна утилізувати з побутовими відходами. Електричні та електронні пристрої необхідно збирати окремо та здавати в спеціалізовані підприємства для утилізації, що не шкодить навколишньому середовищу. Зверніться до місцевих органів або до вашого дилера, щоб отримати адреси пунктів вторинної переробки та пунктів прийому.



Знак CE



Національний знак відповідності для України



Знак відповідності для Європи та Азії EurAsian

الصيانة

تأكد من فصل الأداة من مزود الطاقة قبل تركيب أو إزالة شفرة المنشار.

نظف الجهاز وحاجب الحماية بقطعة جافة. بعض مواد التنظيف تؤدي إلى ضرر بالبلاستيك أو الأجزاء المعزولة. حافظ على الجهاز نظيفاً جافاً وخالي من الزيوت والشحوم الخارجية. افحص أداء حاجب الحماية. الصيانة الدورية المنتظمة والتنظيف يضمنان العمر الطويل والاستخدام المأمون للجهاز.

قم بتنظيف الأداة ونظام الواقي باستخدام قطعة قماش.

استخدم فقط ملحقات ميلوكي وكذلك قطع غيار ميلوكي. إذا كانت المكونات التي يجب تغييرها غير مذكورة، يرجى الاتصال بأحد عملاء صيانة ميلوكي (انظر قائمة عناوين الضمان/الصيانة الخاصة بنا).

عند الحاجة يمكن طلب رمز انفجار الجهاز بعد ذكر طراز الآلة والرقم السداسي المذكور على بطاقة طاقة الآلة لدى جهة خدمة العملاء أو مباشرة لدى شركة Techtronic Industries GmbH, Max-Eyth-Straße 10, 71364 Winnenden, ألمانيا.

زومرلا

تنبيه! تحذير! خطر!



قم بإزالة حزمة البطارية قبل البدء في أي أعمال على الجهاز.



يرجى قراءة التعليمات بعناية قبل بدء تشغيل الجهاز.



ارتد دائماً نظارات الوقاية عند استخدام الجهاز.



يحظر التخلص من الأجهزة الكهربائية في القمامة المنزلية. يجب جمع الأجهزة الكهربائية والإلكترونية منفصلة وتسليمها للتخلص منها بشكل لا يضر بالبيئة لدى شركة إعادة استغلال. الرجاء الاستفسار لدى الهيئات المحلية أو لدى التجار المتخصصين عن مواقع إعادة الاستغلال ومواقع الجمع.

علامة المطابقة الأوروبية



العلامة الوطنية للمطابقة الأوكرانية



علامة المطابقة الأوروبية الآسيوية

البيانات الفنية	مشار معدني
إنتاج عدد:	HD 18 MS
أقصى سرعة دون وجود حمل	4312 58 02.....
أقصى حد لإجراء القطع	...000001-999999
قطر شفرة المنشار x قطر النقب	min-1 3600.....
أقصى سرعة لإجراء القطع	mm x 20 135.....
الوح الصلب	mm 1,6.....
الأنابيب	mm Ø 50.....
القطاعات	mm 51.....
فولطية البطارية	V 18.....
الوزن وفقا لنهج EPTA رقم 01/2003	kg 2,6.....

معلومات الضوضاء/الذبذبات

القيم التي تم قياسها محددة وفقا للمعايير الأوروبية EN 60 745

مستويات ضوضاء الجهاز، ترجيح أ بشكل نمونجي كالتالي:

مستوى ضغط الصوت (الارتياح في القياس = 3 ديسيبل ((A))

مستوى شدة الصوت (الارتياح في القياس = 3 ديسيبل ((L))

ارتد وقيات الأثن!

قيم الذبذبات الإجمالي (مجموع الكميات الموجهة في المحاور الثلاثة) محددة وفقا

للمعايير الأوروبية **EN 60745**

قيمة انبعاث الذبذبات (a_n).....

الارتياح في القياس

تحذير!

تم قياس مستوى انبعاث الذبذبات الموجود بوثيقة المعلومات هذه وفقا للاختبار القياسي وفقاً للمعايير الأوروبية EN 60745 ويمكن استخدامه لمقارنة جهاز بغيره. كما يمكن استخدامه لعرض تقييم تمهيدي.

يمثل مستوى انبعاث الذبذبات المعلن عنه تطبيقات الجهاز الرئيسية. بالرغم من ذلك، فإنه إذا ما تم استخدام الجهاز لتطبيقات مختلفة، بملحقات مختلفة أو لم يتم المحافظة عليه، فقد يختلف انبعاث الذبذبات. قد يزيد ذلك بصورة كبيرة من مستوى التعرض للذبذبات طوال فترة العمل الإجمالية.

يجب الوضع في الاعتبار عند تقدير مستوى التعرض للذبذبات مرات إيقاف الجهاز أو تشغيله لكن دون استخدامه في القيام بمهمة. فقد يقل ذلك بصورة كبيرة من مستوى التعرض للذبذبات طوال فترة العمل الإجمالية.

تعرف على معايير السلامة الإضافية لحماية المشغل من آثار الذبذبات مثل: صيانة الجهاز والملحقات، الحفاظ على دهاء الأيدي، وتنظيم نماذج العمل.

تحذير! اقرأ جميع تحذيرات السلامة وجميع التعليمات، بما فيها.

قد يؤدي الفشل في مراعاة التحذيرات والتعليمات إلى التعرض للإصابة بصدمة كهربية أو الحريق و/أو إصابة خطيرة.

احتفظ بجميع التنبيهات والتعليمات للرجوع إليها مستقبلا.

تعليمات امان للمناشير الدائرية

إجراءات القطع

⚠️خطر:

احتفظ بيديك بعيدًا عن منطقة القطع والشفرة. في حين تبقى يدك الأخرى على المقبض الإضافي، أو مبيت الموتور.

إذا كنت تحمل المنشار بكتنا بيديك، فهذا يحول دون أن تصبيهما الشفرة.

لا تلمس قطعة العمل من أسفل.

لا يمكن للواقي أن يحميك من الشفرة الموجودة في الجزء السفلي من قطعة العمل.

اضبط عمق القطع وفقاً لسمك قطعة العمل.

يجب أن تظهر الأسنان أقل من كامل طولها تحت قطعة العمل.

لا تحمل القطعة المراد قطعها بيديك أو بين سائليك. ثبت قطعة العمل في منصة عمل ثابتة.

من المهم دعم قطعة العمل بشكل جيد للحد من تعرض الجسم للمخاطر، أو انحناء الشفرة أو فقدان السيطرة.

عند أداء أعمال قد تلامس فيها أداة القطع أسلاك مخرية، أحمل الآلة الكهربائية من أسطح الغرض المعزولة فقط.

تسبب ملامسة أحد ملحقات آلة القطع بسلك كهربي "موصلة" في جعل الأجزاء المعدنية المكشوفة بالآلة الكهربائية "موصلة" كهربياً مما يجعل المشغل عرضة لصدمة كهربائية.

عند الفصل استخدم دائماً حاجز القطع أو قائم توجيه مستوي الحواف.

فيذا يعمل على تحسين دقة القطع ويقلل من فرص انحناء الشفرة.

استخدم دائماً الشفرات ذات الحجم الصحيح (الشكل المعين مقابل الشكل الدائري) للثقوب المجوفة.

تعمل الشفرات التي لا تتناسب مع جهاز التركيب بالمنشار بشكل غريب، مسببةً فقدان السيطرة.

فالشفرات غير الحادة أو غير المهبئة بشكل سليم تحدث شتفاً ضيقاً بالمنشار مما يسبب احتكاكاً شديداً وإعاقة الشفرة وردود فعل عنيفة.

يجب أن يكون عمق الشفرة ورافعات قفل وضبط السطح المائل محكمة وأمنة قبل القيام بالقطع.

إذا تحرك ضبط الشفرة أثناء القطع، فقد يؤدي ذلك إلى الإعاقة أو إلى حدوث رد فعل مفاجئ.

توخ الحذر الشديد عند "القطع العميق" في الحوائط أو أي مناطق أخرى غير ظاهرة.

الشفرات البارزة قد تقطع مواد تسبب الارتداد.

وظيفة الواقي

تحقق من أن الواقي السفلي للتأكد من الإغلاق السليم قبل كل استخدام. لا تشغّل المنشار إذا كان الواقي لا يتحرك بحرية واطلق في الحال. لا تثبت أو تربط الواقي السفلي وهو في وضع الفتح.

إذا سقط المنشار عن طريق الخطأ، فقد ينحني الواقي السفلي. ارفع الواقي السفلي بالمقبض المرعد وتحقق من أنه يتحرك بحرية ولا يلامس الشفرة أو أي جزء آخر، من جميع الزوايا وفي عمق القطع.

تحقق من عمل زنتريك الواقي السفلي. إذا لم يكن الواقي والزنتريك يعملان بشكل صحيح، فإنه يتعين إجراء صيانة لهما قبل الاستخدام.

قد يعمل الواقي ببطء نتيجة لقطع التالفة أو ترسبات الغراء أو تراكم الحطام.

يجب سحب الواقي السفلي يدوياً فقط في حالات أعمال القطع الخاصة "صليات القطع العميق" و"صليات "القطع المركبة"."

ارفع الواقي السفلي بسحب المقبض وبمجرد دخول الشفرة في المادة، يجب تحرير الواقي السفلي. أما بالنسبة لجميع عمليات النشر الأخرى، يعمل الواقي السفلي بشكل تلقائي.

يجب أن تتأكد دائماً من أن الواقي السفلي يغطي الشفرة قبل وضع المنشار على طاولة العمل أو الأرض.

قد تسبب الشفرة غير المصححة أو المغطاة في أن يتحرك المنشار إلى الخلف قاطعاً كل ما يواجهه في مساره. ضع في الحسبان الوقت الذي تستغرقه الشفرة حتى تتوقف بعد تحرير المقطّاح.

إرشادات امان وعمل إضافية

انزع البطارية قبل التعامل مع الجهاز.

لا تتخلص من البطاريات المستعملة مع النفايات المنزلية أو بحرقها. يقدم موزعو ميلوكي خدمة استعادة البطاريات القديمة لحماية البيئة.

لا تقم بتخزين البطارية مع الأشياء المعدنية (خطر قصر الدائرة)..

استخدم فقط شواحن **C 18 System** لشحن بطاريات **C 18 System** . لا تستخدم بطاريات من أنظمة أخرى.

لا تقم أبداً بفتح قفل البطارية والشواحن ولا تخزينهم إلا في غرف جافة. وحافظ عليها جاف طوال الوقت.

لا تكون الأتربة الناتجة عن استخدام هذه الآلة ضارة بالصحة. لا تستنشق هذه الأتربة. استخدم نظام امتصاص الأتربة وارادت قناعاً واقياً من الأتربة مناسباً. قم بإزالة الأتربة الموجودة تماماً، باستخدام المكثفة الكهربائية على سبيل المثال.

لا تستخدم شفرات منشار لا تتوافق مع البيانات الرئيسية الموضحة في تعليمات الاستخدام هذه.

ارتد وقيات الأثن. قد يسبب التعرض للضوضاء فقدان السمع.

لا تستخدم أسطوانات الكشط في هذه الماكينة!

إذا كان الواقي الشفاف لشفرة المنشار مشقوقاً أو مكسوراً، فإنه يتعين استبداله في الحال من قبل ورشة صيانة معتمدة. يتعين عدم تشغيل الماكينة في حال كان غطاء الشفرة مغيّباً أو مفقوداً!

شروط الاستخدام المحدثة

يمكن استخدام منشار المعادن في القطع الطولي والمائل لمجموعة متنوعة من المعادن، مثل القطاعات المعدنية (UniStrut) والأنابيب والقوائم المعدنية والفضضيان وقطاعات الألومنيوم والألواح المعدنية، وغيرها.

لا تستخدم هذا المنتج بأي طريقة أخرى غير مصرح بها للاستخدام العادي.

إعلان المطابقة - الاتحاد الأوروبي

بموجب هذا نقر على مسؤوليتنا المنفردة، أن المنتج المذكور الموصوف تحت "البيانات الفنية" يلي جميع التعليمات الهامة الخاصة بالمعايير 2011/65/EU (RoHS), 2014/30/EU, 2006/42/EG ويتطابق مع وثائق المعايير المتوافقة التالية:

EN 60745-1:2009 + A11:2010

EN 60745-2-5:2011

EN 55014-1:2006 + A1:2009 + A2:2011

EN 55014-2:1997 + A1:2001 + A2:2008

EN 50581:2012

Winnenden, 2016-03-29


Alexander Krug
Managing Director

معتمدة المطابقة مع الملف الفني

Techtronic Industries GmbH

Max-Eyth-Straße 10

Winnenden 71364

Germany

البطاريات

يُرجى الرجوع إلى المعلومات المحددة المتعلقة ببطاريات ميلواكي القابلة لإعادة الشحن بجهد C18 فولت في كتيب التعليمات للشاحن.

يجب إعادة شحن البطارية غير المستخدمة لفترة قبل الاستخدام.

تقلل درجات الحرارة التي تتجاوز 50°سيليوس (122°فهرنهايت) من أداء البطارية. تجنب التعرض الزائد للحرارة أو أشعة الشمس (خطر التسخين)..

يجب الحفاظ على محتويات الشواحن و البطاريات نظيفة.

للحصول على فترة استخدام مثالية، يجب شحن البطاريات تماماً، بعد الاستخدام.

للحصول على أطول عمر ممكن للبطارية، انزع البطارية من الشاحن بمجرد شحنها تماماً.

لتخزين البطارية أكثر من 30 يوم:

خزن البطارية بحيث تكون درجة الحرارة أقل من 27° سليلزيوس وبعيداً عن أي رطوبة

خزن البطارية مشحونة بنسبة تتراوح بين 30 50 % اشحن البطارية كالمعتاد، وذلك كل ستة أشهر من التخزين.

نصائح العمل

في حالات العزم العالي، أو إعاقة الحركة أو التوقف المفاجئ أو القصور في الدائرة الكهربائية الذي ينتج عنه سحب لقدر كبير من التيار الكهربائي، ستصدر الأداة ذبذبات لمدة 5 ثوانٍ، وسيضيء مقياس الوقود ثم تتوقف عن العمل. لإعادة الضبط، حرر الزناد.

في الظروف القصوى للعمل، قد ترتفع درجة الحرارة الداخلية للبطارية. إذا حدث ذلك، سيضيء مقياس الوقود حتى تتخفص درجة حرارة البطارية، وبعدها يمكنك متابعة العمل.

نقل بطاريات الليثيوم

تخضع بطاريات الليثيوم أيون لشروط قوانين نقل السلع الخطرة:

ويجب نقل هذه البطاريات وفقاً للأحكام والقوانين المحلية والوطنية والدولية.

- يمكن للمستخدم نقل البطاريات برأ دون الخضوع لشروط أخرى.
- يخضع النقل التجاري لبطاريات الليثيوم أيون عن طريق الغير إلى قوانين نقل السلع الخطرة. يتعين أن يقوم أفراد مدربون جيداً بإعدادات عملية النقل والقيام بها بصحبة خبراء ملّهم.

متمى تُنقل البطاريات:

- عند التأكد من حماية أطراف توصيل البطارية وعزلها جنباً لحدوث قصر بالدائرة.
- عند التأكد من حماية حزمة البطارية من الحركة داخل صندوق التعبئة.
- يُرجى عدم نقل البطاريات التي بها تشققات أو تسريبات.

يُرجى البحث مع شركة الشحن عن نصيحة أخرى

تتوقف الماكينة تلقائياً عند زيادة الحمل على الموتور. دعها حتى تبرد، ثم اضغط على زر التحميل الزائد وأعد تشغيل الماكينة. إذا توقفت الحماية من فرط الحمل بشكل متكرر، فقلل ضغط أو عمق القطع.

Copyright 2016
Techtronic Industries GmbH
Max-Eyth-Straße 10
71364 Winnenden
Germany
+49 (0) 7195-12-0



(03.16)

4931 4141 79