

Milwaukee®

Nothing but **HEAVY DUTY**®



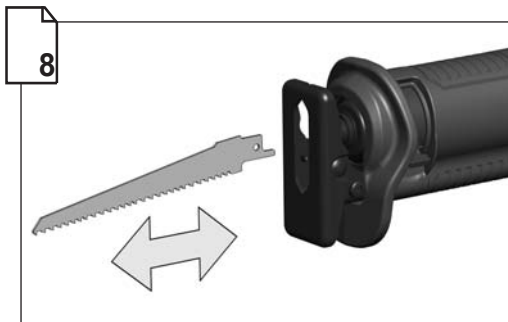
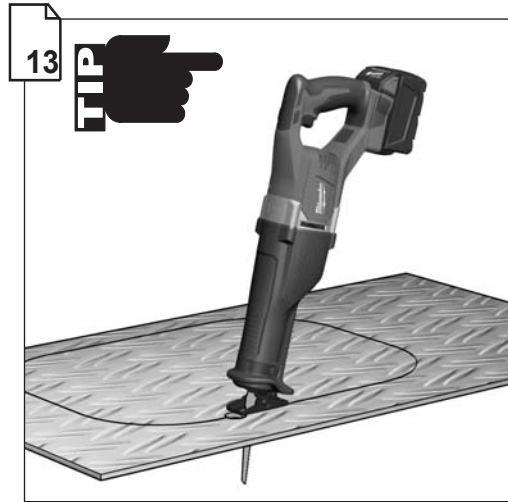
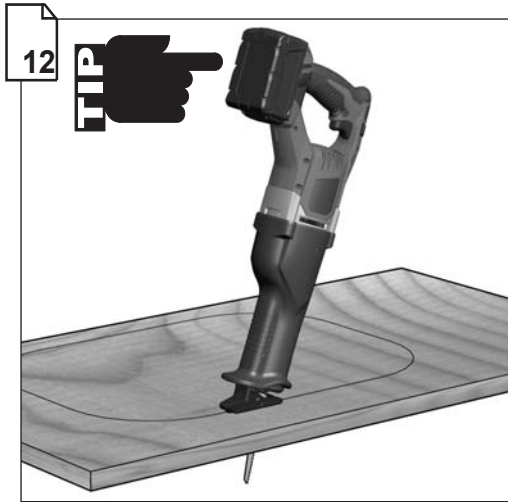
M18 BSX

Original instructions
Originalbetriebsanleitung
Notice originale
Istruzioni originali
Manual original
Oorspronkelijke
gebruiksaanwijzing
Original brugsanvisning
Original bruksanvisning
Bruksanvisning i original
Alkuperäiset ohjeet

Πρωτότυπο οδηγιών χρήσης
Orijinal işletme talimatı
Původním návodem k
používání
Pôvodný návod na použitie
Instrukcja oryginalną
Eredeti használati utasítás
Izvirna navodila
Originalne pogonske upute
Instrukcijām oriģinālvalodā
Originali instrukcija

Algupärane kasutusjuhend
Оригинальное руководство
по эксплуатации
Оригинално ръководство за
експлоатация
Instrucțiuni de folosire
originale
Оригинален прирачник за
работа
原始的指南

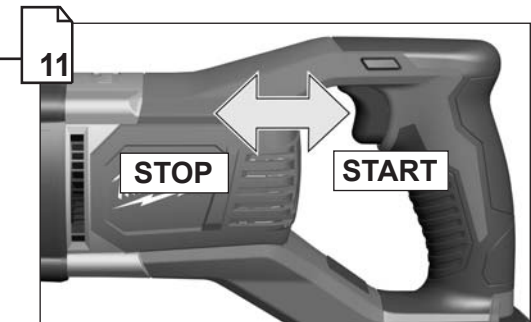
Technical Data, safety instructions, Specified Conditions of Use, EC-Declaration of Conformity, Batteries, Characteristics, Maintenance, Symbols	Please read and save these instructions!	ENGLISH	14
Technische Daten, Sicherheitshinweise, Bestimmungsgemäße Verwendung, CE-Konformitätserklärung, Akkus, Merkmale, Wartung, Symbole	Bitte lesen und aufbewahren!	DEUTSCH	16
Caractéristiques techniques, Instructions de sécurité, Utilisation conforme aux prescriptions, Déclaration CE de Conformité, Accus, Description, Entretien, Symboles	Prière de lire et de conserver!	FRANÇAIS	18
Dati tecnici, Norme di sicurezza, Utilizzo conforme, Dichiarazione di Conformità CE, Batteria, Breve Indicazione, Manutenzione, Simboli	Si prega di leggere le istruzioni e di conservarle!	ITALIANO	20
Datos técnicos, Instrucciones de seguridad, Aplicación de acuerdo a la finalidad, Declaración de Conformidad CE, Batería, Señalización, Mantenimiento, Símbolos	Lea y conserve estas instrucciones por favor!	ESPAÑOL	22
Características técnicas, Instruções de segurança, Utilização autorizada, Declaração de Conformidade CE, Acumulador, Características, Manutenção, Símbolo	Por favor leia e conserve em seu poder!	PORTUGUES	24
Technische gegevens, Veiligheidsadviezen, Voorgeschreven gebruik van het systeem, EC-Konformiteitsverklaring, Akku, Kenmerken, Onderhoud, Symbolen	Lees en let goed op deze adviezen!	NEDERLANDS	26
Tekniske data, Sikkerhedshenvisninger, Tiltænkt formål, CE-Konformitetserklæring, Batteri, Beskrivelse, Vedligeholdelse, Symboler	Vær venlig at læse og opbevare!	DANSK	28
Tekniske data, Spesielle sikkerhetshenvisninger, Formålmessig bruk, CE-Samsvarserklæring, Batterier, Kjennetegn, Vedlikehold, Symboler	Vennligst les og oppbevar!	NORSK	30
Tekniska data, Säkerhetsutrustning, Använd maskinen Enligt anvisningarna, CE-Försäkran, Batterier, Kännemärke, Skötsel, Symboler	Var god läs och tag tillvara dessa instruktioner!	SVENSKA	32
Tekniset arvot, Turvallisuusohjeet, Tarkoituksenmukainen käyttö, Todistus CE-standardin mukaisuudesta, Akku, Ominaisuudet, Huolto, Symbolit	Lue ja säilytö!	SUOMI	34
Τεχνικά στοιχεία, Ειδικά υποδείξεις ασφαλείας, Χρήση σύμφωνα με το σκοπό προορισμού, Δήλωση πιστοποίησης εκ, Μπαταρίες, Χαρακτηριστικά, Συντήρηση, Σύμβολα	Παρακαλώ διαβάστε τις και φυλάξτε τις!	ΕΛΛΗΝΙΚΑ	36
Teknik veriler, Güvenliğinizi için talimatlar, Kullanım, CE uygunluk beyanince, Akü, Özellikler, Bakım, Semboller	Lütfen okuyun ve saklayın	TÜRKÇE	38
Technická data, Speciální bezpečnostní upozornění, Oblast využití, Ce-prohlášení o shodě, Akumulátory, Upozornění, Údržba, Symboly	Po přečtení uschovejte	ČESKY	40
Technické údaje, Speciálne bezpečnostné pokyny, Použitie podľa predpisov, CE-Vyhlasenie konformity, Akumulátory, Znaky, Údržba, Symboly	Prosim prečítat a uschovať!	SLOVENSKY	42
Dane techniczne, Specjalne zalecenia dotyczące bezpieczeństwa, Użytkowanie zgodne z przeznaczeniem, Świadectwo zgodności ce, Baterie akumulatorowe, Właściwości, Gwarancja, Symbole	Prosimy o uważne przeczytanie i przestrzeganie zaleceń zamie szczególnych w tej instrukcji.	POLSKI	44
Műszaki adatok, Különleges biztonsági tudnivalók, Rendeltetésszerű használat, Ce-azonossági nyilatkozat, Akkuk, Jellegzetességek, Karbantartás, Szimbólumok	Olvassa el és őrizze meg	MAGYAR	46
Tehnični podatki, Specialni varnostni napotki, Uporaba v skladu z namembnostjo, Ce-izjava o konformnosti, Akumulatorji, Značilnosti, Vzdrževanje, Simboli	Prosimo preberite in shranite!	SLOVENSKO	48
Tehnički podaci, Specijalne sigurnosne upute, Propisna upotreba, CE-Izjava konformnosti, Baterije, Obilježja, Održavanje, Simboli	Molimo pročitati i sačuvati	HRVATSKI	50
Tehniskie dati, Speciālie drošības noteikumi, Noteikumiem atbilstošs izmantojums, Atbilstība CE normām, Akumulātori, Pazīmes, Apkope, Simboli	Pielikums lietošanas pamācībai	LATVISKI	52
Tehniniai duomenys, Ypatingos saugumo nuorodos, Naudojimas pagal paskirtį, CE Atitikties pareiškimas, Akumulatoriai, Požymiai, Techninis aptarnavimas, Simboliai	Prašome perskaityti ir neišmesti!	LIETUVIŠKAI	54
Tehnilised andmed, Spetsiaalsed turvajuhised, Kasutamise vastavalt otstarbele, EÜ Vastavusavaldus, Akud, Tunnused, Hooldus, Sümbolid	Palun lugege läbi ja hoidke alati!	EESTI	56
Технические данные, Рекомендации по технике безопасности, Использование, Аккумулятор, Характеристики, Обслуживание, Символы	Пожалуйста, прочтите и сохраните настоящую инструкцию	РУССКИЙ	58
Технически данни, Специални указания за безопасност, Използване по предназначение, CE-Декларация за съответствие, Аккумулятори, Характеристики, Поддръжка, Символи	Моля прочетете и запазете!	БЪЛГАРСКИ	60
Date tehnice, Instrucțiuni de securitate, Condiții de utilizare specificate, Declarație de conformitate, Alimentare de la rețea, Caracteristici, Intreținere, Simboluri	Va rugăm citiți și păstrați aceste instrucțiuni	ROMÂNIA	62
Технички Податоци, Упатство За Употреба, Специфицирани Услови На Употреба, Еу-декларација За Сообразност, Батерии, Карактеристики, Одржување, Символи	Ве молиме прочитајте го и чувајте го ова упатство!	МАКЕДОНСКИ	64
技术数据, 特殊安全指示, 正确地使用机器, 欧洲安全规定说明, 蓄电池, 特点, 维修, 符号	请详细阅读并妥善保存!	中文	66

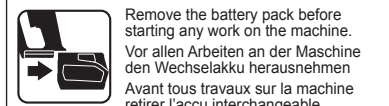


Remove the battery pack before starting any work on the machine.
 Vor allen Arbeiten an der Maschine den Wechselakku herausnehmen
 Avant tous travaux sur la machine retirer l'accu interchangeable.
 Prima di iniziare togliere la batteria dalla macchina.
 Retire la batería antes de comenzar cualquier trabajo en la máquina.

Antes de efectuar cualquier intervención na máquina retirar o bloco acumulador.
 Voor alle werkzaamheden aan de machine de akku verwijderen.
 Ved arbejde inden i maskinen, bør batteriet tages ud.
 Ta ut vekselbatteriet før du arbeider på maskinen
 Drag ur batteripaket innan arbete utföres på maskinen.
 Ota akku pois ennen kaikkia koneeseen tehtäviä toimenpiteitä.
 Πριν από κάθε εργασία στη μηχανή αφαιρέστε την αναλλακτική μπαταρία.
 Aletin kändinde bir çalışma yapmadan önce kartuş aküyü çıkann.
 Před zahájením veškerých prací na vrtacím šroubováků vjmout výměnný akumulátor.

Pred každou pracou na stroji výměnný akumulátor vytiahnuť.
 Przed przystąpieniem do jakichkolwiek prac na elektronarzędziu należy wyjąć wkładkę akumulatorową.
 Karbantartás, javítás, tisztítás, stb. előtt az akkumulátort ki kell venni a készülékből.
 Pred deli na stroju izvlčite izmenljivi akumulator.
 Prije svih radova na stroju izvaditi bateriju za zamjenu.
 Pirms mašīnai veikt jebkāda veida apkopes darbus, ir jāizņem ārā akumulators.
 Prieš atlikdami bet kokius darbus įrenginyje, išimkite keičiamą akumuliatorių.
 Enne kõiki töid masina kallal võtke vahetatava aku välja.
 Выньте аккумулятор из машины перед проведением с ней каких-либо манипуляций.
 Преди започване на каквото е да е работи по машината извадете акумулатора.
 İnderpârtajî acumulatorul înainte de încercarea lucrului pe mașina
 Отстранете ја батеријата пред да започнете да ја користите машината.
 在机器上进行任何维护工作之前，先拿出蓄电池。





Remove the battery pack before starting any work on the machine.
 Vor allen Arbeiten an der Maschine den Wechselakku herausnehmen
 Avant tous travaux sur la machine retirer l'accu interchangeable.
 Prima di iniziare togliere la batteria dalla macchina.

Retire la batería antes de comenzar cualquier trabajo en la máquina.

Antes de efectuar qualquer intervenção na máquina retirar o bloco acumulador.

Voor alle werkzaamheden aan de machine de akku verwijderen.

Ved arbejde inden i maskinen, bør batteriet tages ud.

Ta ut vekslebatteriet før du arbeider på maskinen

Drag ur batteripaket innan arbete utföres på maskinen.

Ota akku pois ennen kaikkia koneeseen tehtäviä toimenpiteitä.

Πριν από κάθε εργασία στη μηχανή αφαιρέστε την ανταλλακτική μπαταρία.

Aletin kändinde bir çalışma yapmadan önce kartuş aküyü çıkarın.

Před zahájením veškerých prací na vrtacím šroubováku vyjmout výměnný akumulátor.

Před každou prací na stroji výměnný akumulátor vytáhnout.

Przed przystąpieniem do jakichkolwiek prac na elektronarzędziu należy wyjąć wkładkę akumulatorową.

Karbantartás, javítás, tisztítás, stb. előtt az akkumulátort ki kell venni a készülékből.

Pred deli na stroju izvlécite izmenljivi akumulator.

Prije svih radova na stroju izvaditi bateriju za zamjenu.

Pirms mašīnai veikt jebkāda veida apkopes darbus, ir jāizņem ārā akumulātors.

Prieš atlikdami bet kokius darbus įrenginyje, išimkite keičiamą akumuliatorių.

Enne kõiki töid masina kallal võtke vahetatav akuvälja.

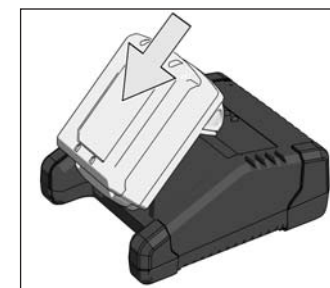
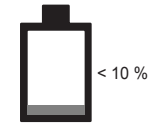
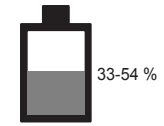
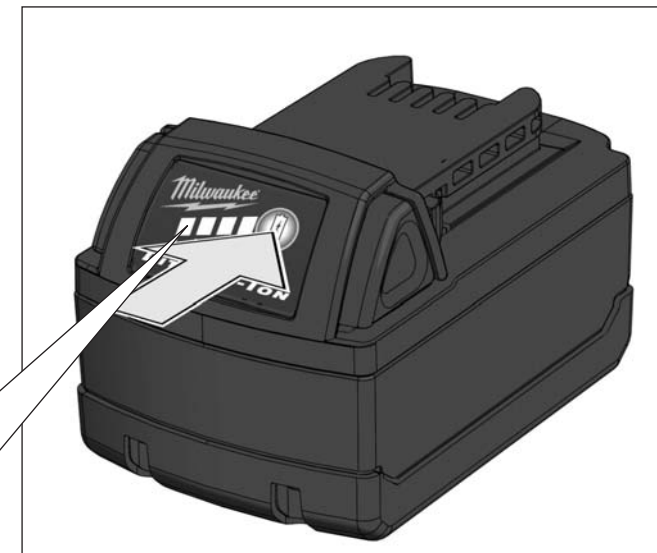
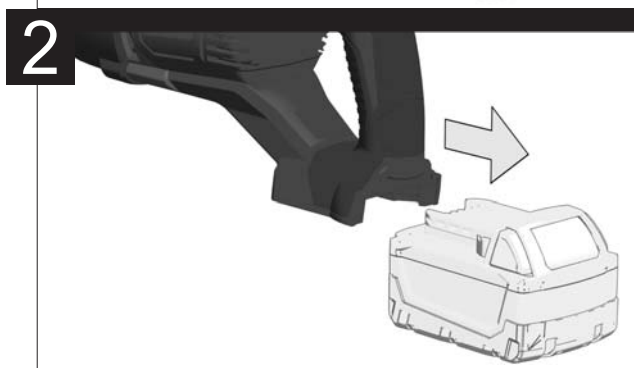
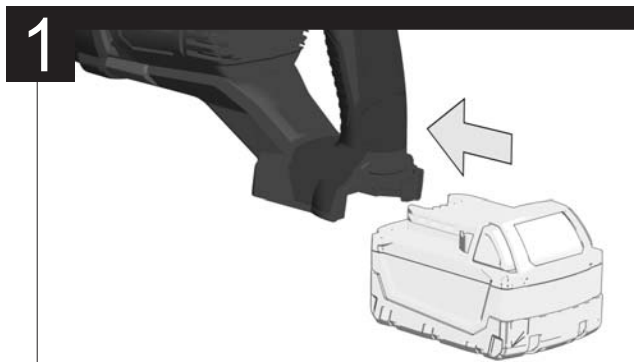
Виньте аккумулятор из машины перед проведением с ней каких-либо манипуляций.

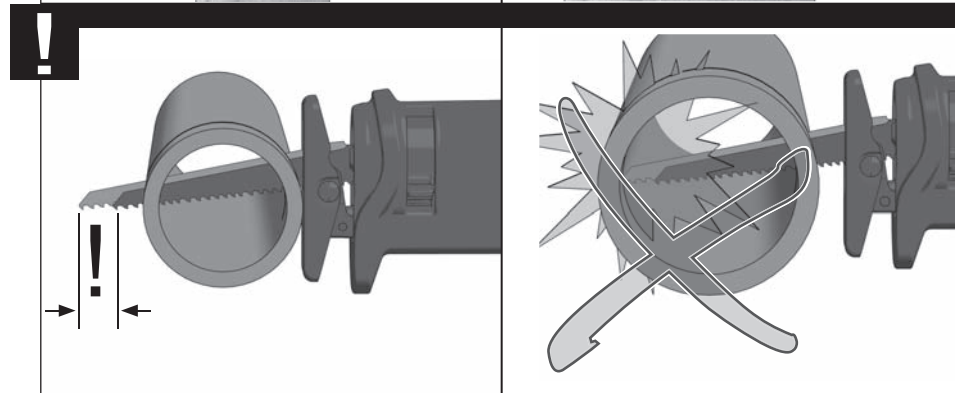
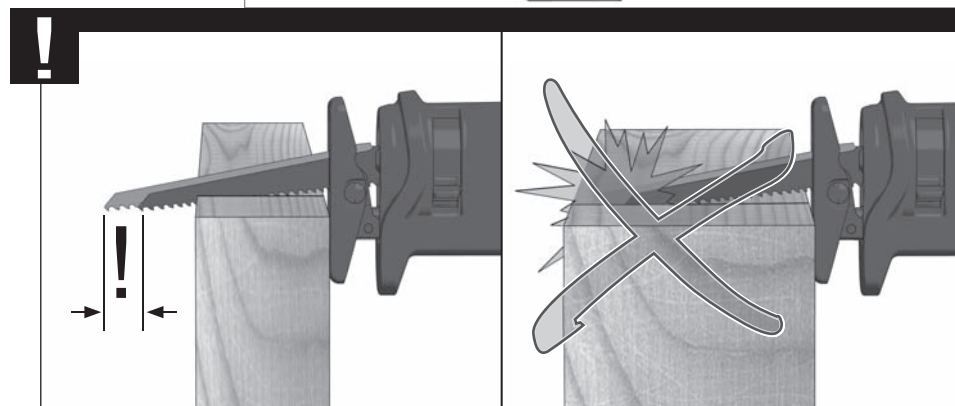
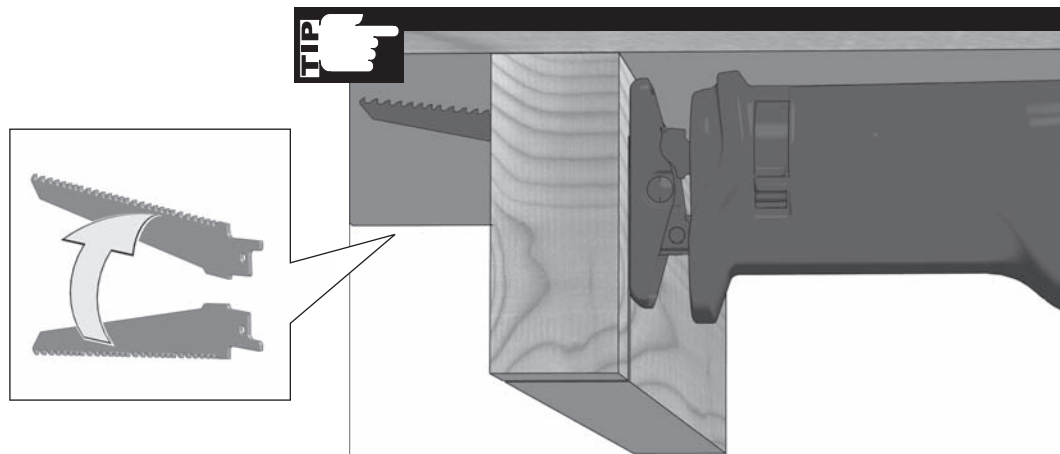
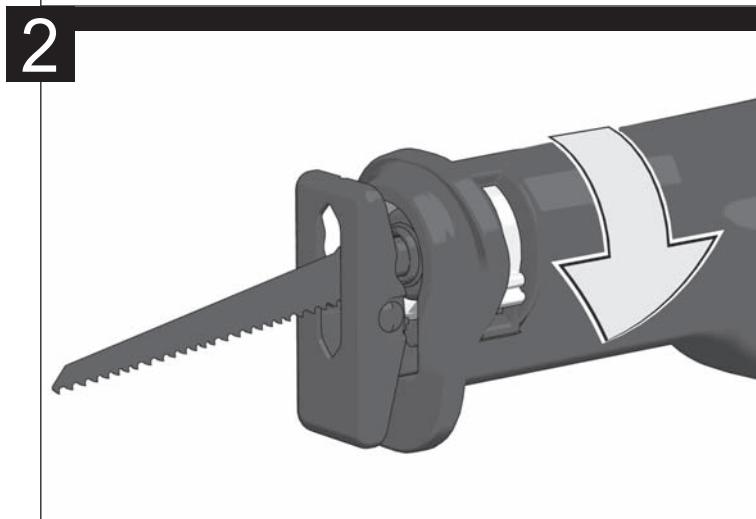
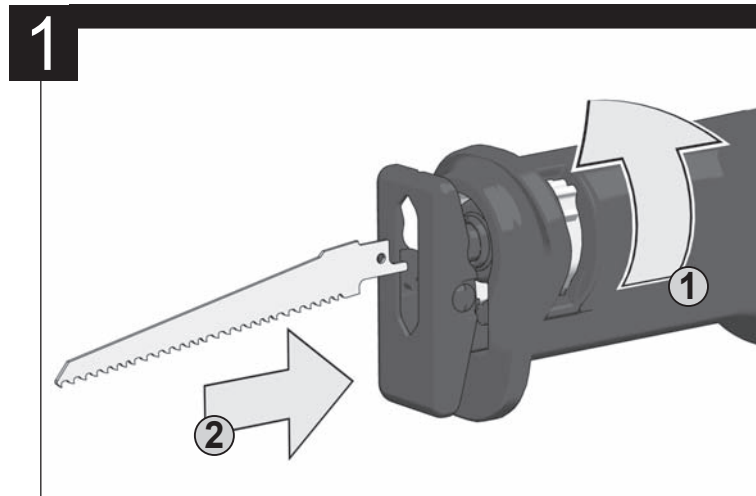
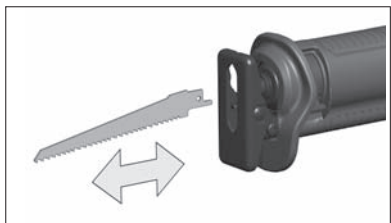
Преди започване на каквито е да е работи по машината извадете акумулатора.

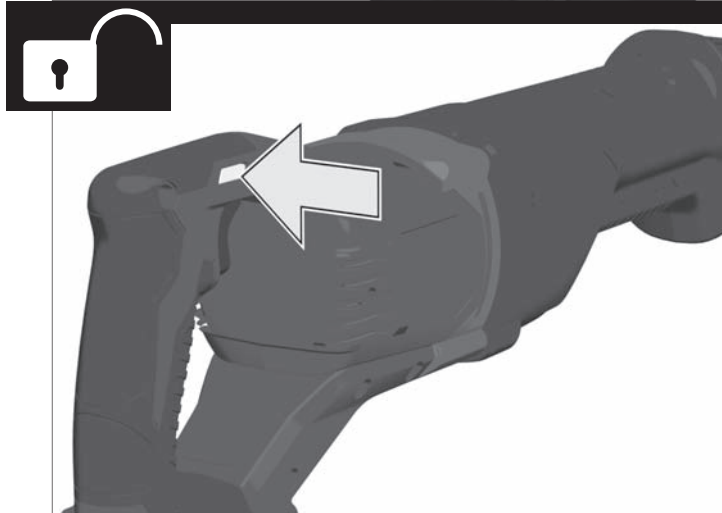
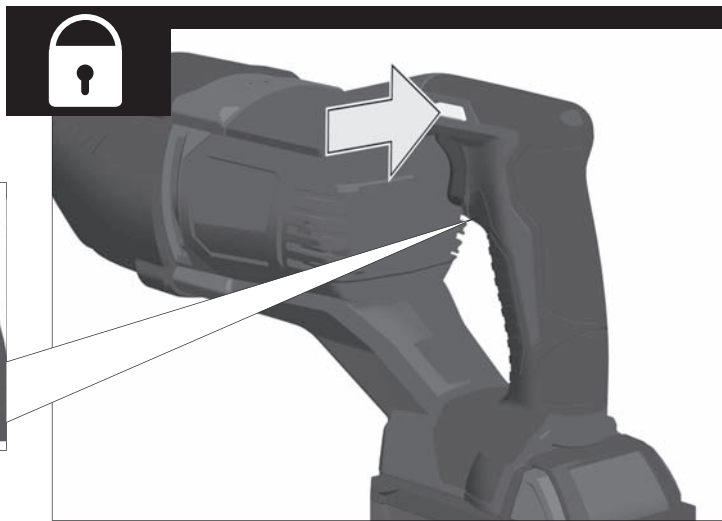
Scoateți acumulatorul înainte de a începe orice intervenție pe mașină.

Отстранете ја батеријата пред да започнете да ја користите машината.

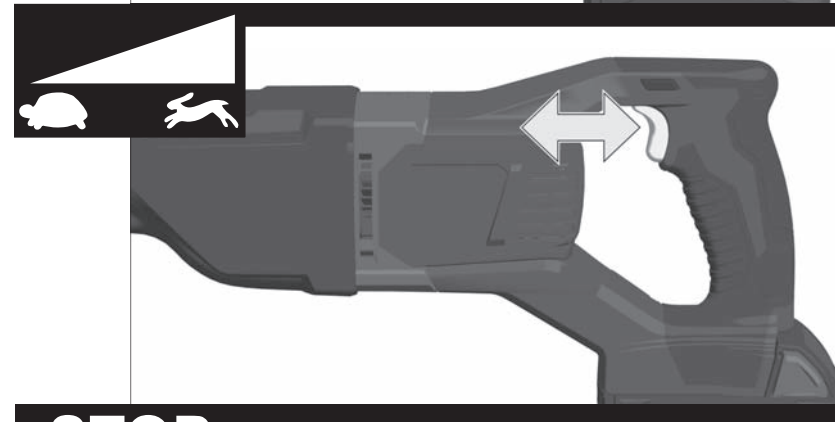
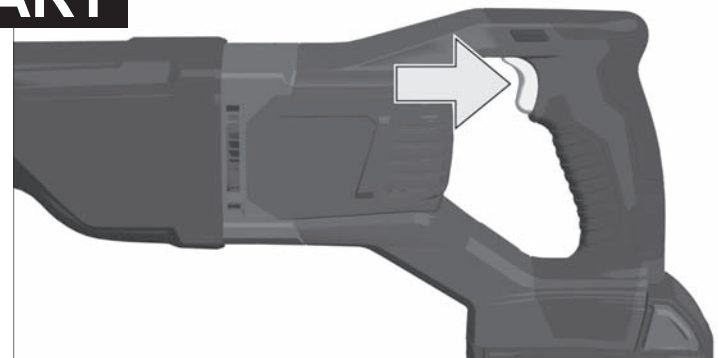
在机器上进行任何维护工作之前，先拿出蓄电池。



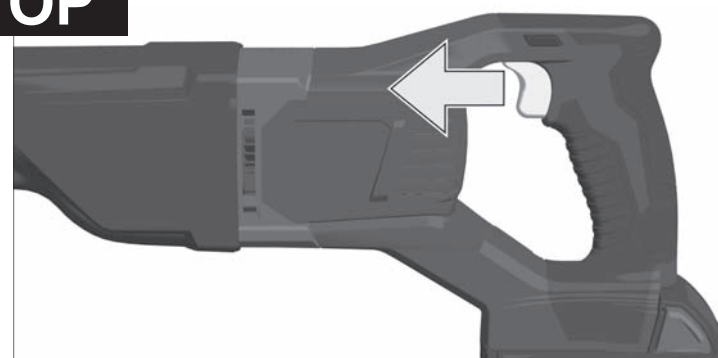


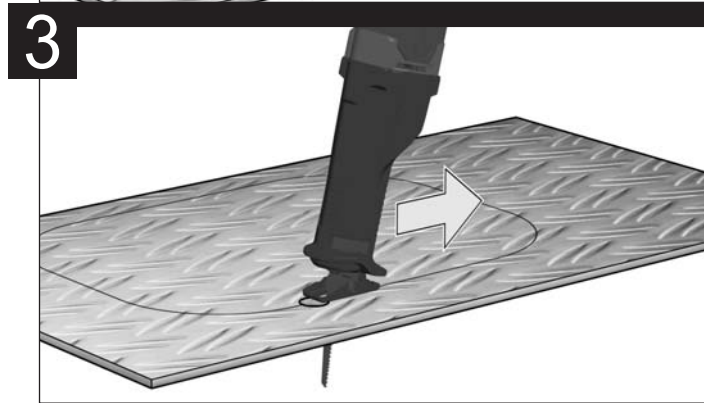
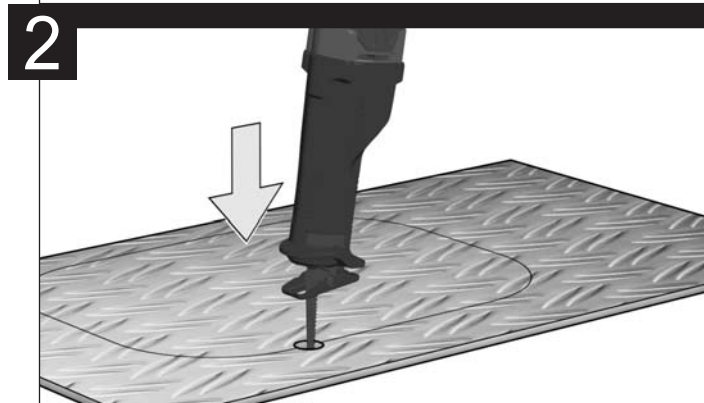
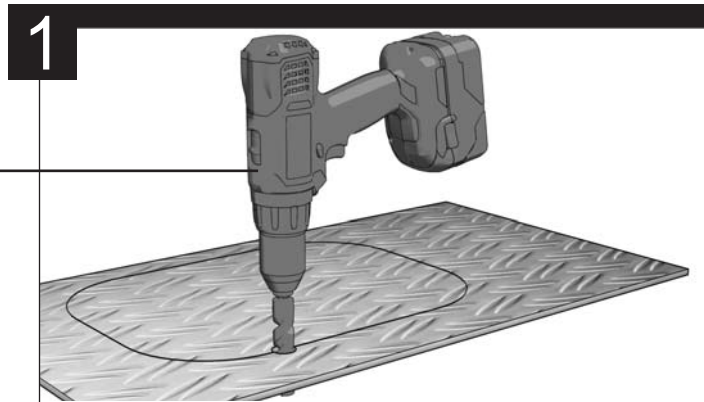
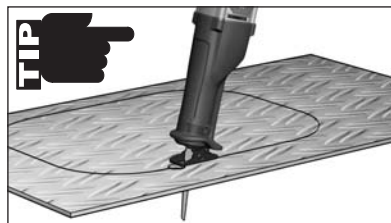
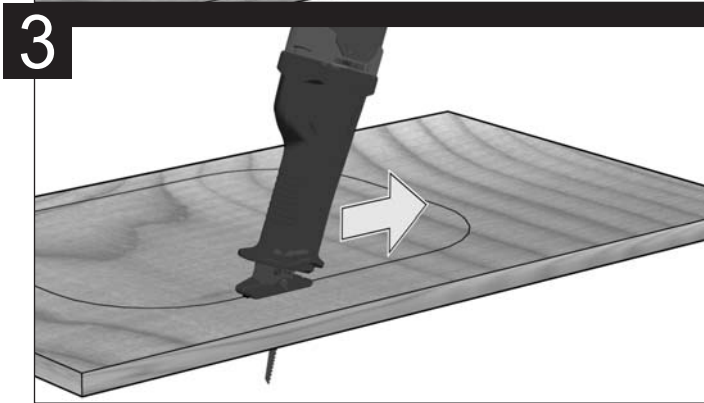
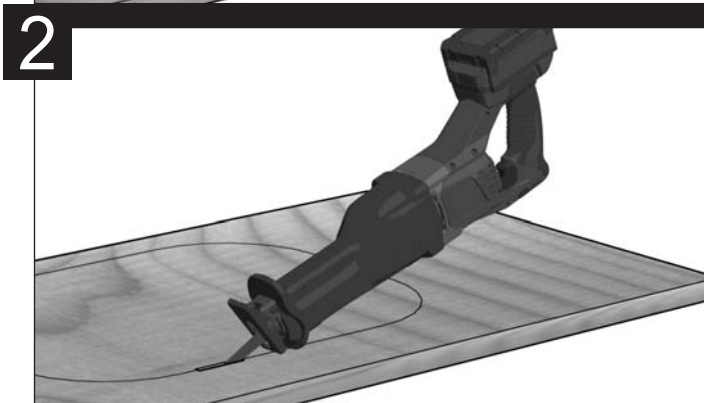
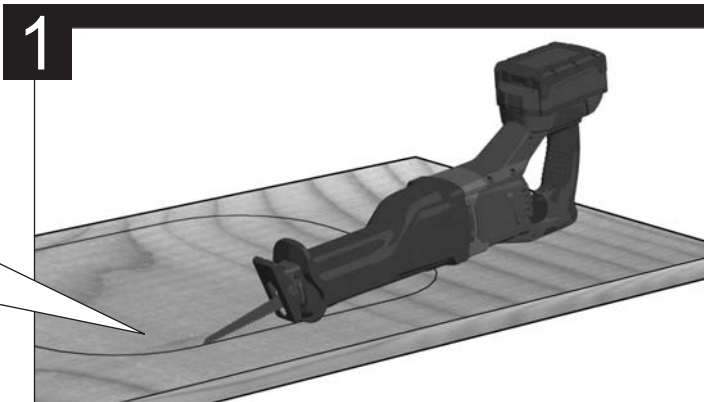
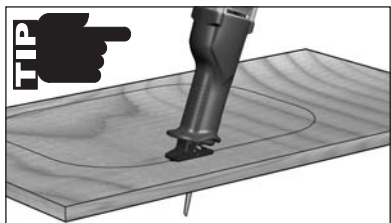


START



STOP





TECHNICAL DATA CORDLESS RECIPROCATING SAW M18 BSX

Production code.....	4526 70 02...
.....	4472 76 02...
.....	...00001-999999
Cutting depth max. in:	
Soft-wood	300 mm
Steel	20 mm
Aluminium.....	25 mm
Non-ferrous metal.....	25 mm
Metal pipe	150 mm
Battery voltage.....	18 V
Stroke rate under no-load.....	0-3000 min ⁻¹
Lengths of stroke.....	28,6 mm
Weight according EPTA-Procedure 01/2003.....	4,0 kg

Noise information
 Measured values determined according to EN 60 745.
 Typically, the A-weighted noise levels of the tool are:
 Sound pressure level (Uncertainty K=3 dB(A)).....82,9 dB (A)
 Sound power level (Uncertainty K=3 dB(A)).....93,9 dB (A)

Wear ear protectors!
Vibration information
 Vibration total values (triaxial vector sum) determined according to EN 60745
 Sawing of wood
 Vibration emission value a_h.....18,0 m/s²
 Uncertainty K=.....1,5 m/s²
 Cutting wooden beams
 Vibration emission value a_h.....15,2 m/s²
 Uncertainty K=.....1,5 m/s²

WARNING
 The vibration emission level given in this information sheet has been measured in accordance with a standardised test given in EN 60745 and may be used to compare one tool with another. It may be used for a preliminary assessment of exposure.
 The declared vibration emission level represents the main applications of the tool. However if the tool is used for different applications, with different accessories or poorly maintained, the vibration emission may differ. This may significantly increase the exposure level over the total working period.

An estimation of the level of exposure to vibration should also take into account the times when the tool is switched off or when it is running but not actually doing the job. This may significantly reduce the exposure level over the total working period.
 Identify additional safety measures to protect the operator from the effects of vibration such as: maintain the tool and the accessories, keep the hands warm, organisation of work patterns.

⚠ WARNING! Read all safety warnings and all instructions. Failure to follow the warnings and instructions may result in electric shock, fire and/or serious injury.
Save all warnings and instructions for future reference.

⚠ SABRE SAW SAFETY WARNINGS

Wear ear protectors. Exposure to noise can cause hearing loss.
Hold power tool by insulated gripping surfaces, when performing an operation where the cutting accessory may contact hidden wiring. Cutting accessory contacting a "live" wire may make exposed metal parts of the power tool "live" and could give the operator an electric shock.

ADDITIONAL SAFETY AND WORKING INSTRUCTIONS

Use protective equipment. Always wear safety glasses when working with the machine. The use of protective clothing is recommended, such as dust mask, protective gloves, sturdy non-slip footwear, helmet and ear defenders.
 The dust produced when using this tool may be harmful to health. Do not inhale the dust. Wear a suitable dust protection mask.
 Do not machine any materials that present a danger to health (e.g. asbestos).
 Switch the device off immediately if the insertion tool stalls! Do not switch the device on again while the insertion tool is stalled, as doing so could trigger a sudden recoil with a high reactive force. Determine why the insertion tool stalled and rectify this, paying heed to the safety instructions.
 The possible causes may be:
 • it is tilted in the workpiece to be machined

- it has pierced through the material to be machined
- the power tool is overloaded

Do not reach into the machine while it is running.
 The insertion tool may become hot during use.
WARNING! Danger of burns
 • when changing tools
 • when setting the device down

Chips and splinters must not be removed while the machine is running.

When working in walls ceiling, or floor, take care to avoid electric cables and gas or waterpipes.
 Clamp your workpiece with a clamping device. Unclamped workpieces can cause severe injury and damage.

Always use the protective shields on the machine.
 Do not use cracked or distorted saw blades.
 Plunge cuts without pre-drilling a hole are possible with soft materials (wood, light building materials for walls). Harder materials (metals) must first be drilled with a hole corresponding to the size of the saw blade.

Always place the guide shoe on the workpiece when sawing.
 Do not dispose of used battery packs in the household refuse or by burning them. Milwaukee Distributors offer to retrieve old batteries to protect our environment.

Do not store the battery pack together with metal objects (short circuit risk).

Use only System C 18 chargers for charging System C 18 battery packs. Do not use battery packs from other systems.

No metal parts must be allowed to enter the battery section of the charger (short circuit risk).

Never break open battery packs and chargers and store only in dry rooms. Keep dry at all times.
 Battery acid may leak from damaged batteries under extreme load or extreme temperatures. In case of contact with battery acid wash it off immediately with soap and water. In case of eye contact rinse thoroughly for at least 10 minutes and immediately seek medical attention.

EC-DECLARATION OF CONFORMITY

We declare under our sole responsibility that the product described under "Technical Data" fulfills all the relevant regulations and the directives 2011/65/EU (RoHS), 2014/30/EU, 2006/42/EC, and the following harmonized standards have been used:
 EN 60745-1:2009 + A11:2010
 EN 60745-2-11:2010
 EN 55014-1:2006 + A1:2009 + A2:2011
 EN 55014-2:1997 + A1:2001 + A2:2008
 EN 50581:2012

Winnenden, 2016-03-29

Alexander Krug
 Alexander Krug
 Managing Director
 Authorized to compile the technical file.
 Techtronic Industries GmbH
 Max-Eyth-Straße 10
 71364 Winnenden
 Germany



SPECIFIED CONDITIONS OF USE

This sabre saw cuts wood, plastic, and metal. It can cut straight lines, curves, and internal cut-outs. It cuts pipes and can cut flush to a surface.
 Do not use this product in any other way as stated for normal use.

BATTERIES

New battery packs reach full loading capacity after 4 - 5 chargings and dischargings. Battery packs which have not been used for some time should be recharged before use.
 Temperatures in excess of 50°C (122°F) reduce the performance of the battery pack. Avoid extended exposure to heat or sunshine (risk of overheating).
 The contacts of chargers and battery packs must be kept clean.
 To obtain the longest possible battery life remove the battery pack from the charger once it is fully charged.
 For battery pack storage longer than 30 days:
 Store the battery pack where the temperature is below 27°C and away from moisture
 Store the battery packs in a 30% - 50% charged condition
 Every six months of storage, charge the pack as normal.

BATTERY PACK PROTECTION

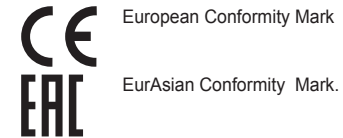
In extremely high torque, binding, stalling and short circuit situations that cause high current draw, the tool will vibrate for about 2 seconds and then the tool will turn OFF.
 To reset, release the trigger.
 Under extreme circumstances, the internal temperatur of the battery could become to high. If this happens, the battery will shut down.
 Place the battery on the charger to charge and reset it.
 For an optimum life-time, after use, the battery packs have to be fully charged.

MAINTENANCE

The ventilation slots of the machine must be kept clear at all times.
 Use only Milwaukee accessories and spare parts. Should components need to be replaced which have not been described, please contact one of our Milwaukee service agents (see our list of guarantee/service addresses).
 If needed, an exploded view of the tool can be ordered. Please state the machine type printed as well as the six-digit No. on the label and order the drawing at your local service agents or directly at: Techtronic Industries GmbH, Max-Eyth-Straße 10, 71364 Winnenden, Germany.

SYMBOLS

- CAUTION! WARNING! DANGER!
- Remove the battery pack before starting any work on the machine.
- Please read the instructions carefully before starting the machine.
- Accessory - Not included in standard equipment, available as an accessory.
- Do not dispose of electric tools together with household waste material. Electric tools and electronic equipment that have reached the end of their life must be collected separately and returned to an environmentally compatible recycling facility. Check with your local authority or retailer for recycling advice and collection point.



TECHNISCHE DATEN **AKKU-SÄBELSÄGE** **M18 BSX**

Produktionsnummer	4526 70 02...
.....	4472 76 02...
.....	...00001-999999
Schnitttiefe max. in:	
Weichholz	300 mm
Stahl	20 mm
Aluminium	25 mm
Buntmetall	25 mm
Metallrohre	150 mm
Spannung Wechselakku	18 V
Leertaufhubzahl	0-3000 min ⁻¹
Hubhöhe	28,6 mm
Gewicht nach EPTA-Prozedur 01/2003	4,0 kg

Geräuschinformation
 Messwerte ermittelt entsprechend EN 60 745.
 Der A-bewertete Geräuschpegel des Gerätes beträgt typischerweise:
 • Schalldruckpegel (Unsicherheit K=3dB(A)) 82,9 dB (A)
 • Schalleistungspegel (Unsicherheit K=3dB(A)) 93,9 dB (A)

Gehörschutz tragen!
Vibrationsinformationen
 Schwingungsgesamtwerte (Vektorsumme dreier Richtungen)
 ermittelt entsprechend EN 60745.
 Sägen von Holz
 • Schwingungsemissionswert a_v 18,0 m/s²
 • Unsicherheit K= 1,5 m/s²
 Sägen von Holzbalken
 • Schwingungsemissionswert a_v 15,2 m/s²
 • Unsicherheit K= 1,5 m/s²

WARNUNG
 Der in diesen Anweisungen angegebene Schwingungspegel ist entsprechend einem in EN 60745 genormten Messverfahren gemessen worden und kann für den Vergleich von Elektrowerkzeugen miteinander verwendet werden. Er eignet sich auch für eine vorläufige Einschätzung der Schwingungsbelastung.

Der angegebene Schwingungspegel repräsentiert die hauptsächlichsten Anwendungen des Elektrowerkzeugs. Wenn allerdings das Elektrowerkzeug für andere Anwendungen, mit abweichenden Einsatzwerkzeugen oder ungenügender Wartung eingesetzt wird, kann der Schwingungspegel abweichen. Dies kann die Schwingungsbelastung über den gesamten Arbeitszeitraum deutlich erhöhen.
 Für eine genaue Abschätzung der Schwingungsbelastung sollten auch die Zeiten berücksichtigt werden, in denen das Gerät abgeschaltet ist oder zwar läuft, aber nicht tatsächlich im Einsatz ist. Dies kann die Schwingungsbelastung über den gesamten Arbeitszeitraum deutlich reduzieren.
 Legen Sie zusätzliche Sicherheitsmaßnahmen zum Schutz des Bedieners vor der Wirkung von Schwingungen fest wie zum Beispiel: Wartung von Elektrowerkzeug und Einsatzwerkzeugen, Warmhalten der Hände, Organisation der Arbeitsabläufe.

⚠️ WARNUNG! Lesen Sie alle Sicherheitshinweise und Anweisungen. Versäumnisse bei der Einhaltung der Sicherheitshinweise und Anweisungen können elektrischen Schlag, Brand und/oder schwere Verletzungen verursachen.
Bewahren Sie alle Sicherheitshinweise und Anweisungen für die Zukunft auf.

⚠️ SICHERHEITSHINWEISE FÜR SÄBELSÄGEN
Tragen Sie Gehörschutz. Die Einwirkung von Lärm kann Gehörverlust bewirken.
Halten Sie das Elektrowerkzeug an den isolierten Griffflächen, wenn Sie Arbeiten ausführen, bei denen das Einsatzwerkzeug verborgene Stromleitungen treffen kann. Der Kontakt mit einer spannungsführenden Leitung kann auch metallene Geräteteile unter Spannung setzen und zu einem elektrischen Schlag führen.

WEITERE SICHERHEITS- UND ARBEITSHINWEISE
 Schutzrüstung verwenden. Beim Arbeiten mit der Maschine stets Schutzbrille tragen. Schutzkleidung wie Staubschutzmaske, Schutzhandschuhe, festes und rutschsicheres Schuhwerk, Helm und Gehörschutz werden empfohlen.
 Beim Arbeiten entstehender Staub ist oft gesundheitsschädlich und sollte nicht in den Körper gelangen. Geeignete Staubschutzmaske tragen.
 Es dürfen keine Materialien bearbeitet werden, von denen eine Gesundheitsgefährdung ausgeht (z.B. Asbest).

Beim Blockieren des Einsatzwerkzeuges bitte das Gerät sofort ausschalten! Schalten Sie das Gerät nicht wieder ein, solange das Einsatzwerkzeug blockiert ist; hierbei könnte ein Rückschlag mit hohem Reaktionsmoment entstehen. Ermitteln und beheben Sie die Ursache für die Blockierung des Einsatzwerkzeuges unter Berücksichtigung der Sicherheitshinweise.
 Mögliche Ursachen dafür können sein:
 • Verkanten im zu bearbeitenden Werkstück
 • Durchbrechen des zu bearbeitenden Materials
 • Überlasten des Elektrowerkzeuges
 Greifen Sie nicht in die laufende Maschine.
 Das Einsatzwerkzeug kann während der Anwendung heiß werden.
WARNUNG! Verbrennungsgefahr
 • bei Werkzeugwechsel
 • bei Ablegen des Gerätes
 Späne oder Splitter dürfen bei laufender Maschine nicht entfernt werden.
 Beim Arbeiten in Wand, Decke oder Fußboden auf elektrische Kabel, Gas- und Wasserleitungen achten.
 Sichern Sie Ihr Werkstück mit einer Spannvorrichtung. Nicht gesicherte Werkstücke können schwere Verletzungen und Beschädigungen verursachen.
 Schutzeinrichtung der Maschine unbedingt verwenden.
 Rissige Sägeblätter oder solche, die ihre Form verändert haben, dürfen nicht verwendet werden!

Tauchsägen ist nur in weicheren Materialien (Holz, Leichtbaustoffe für Wände) möglich, bei härteren Materialien (Metalle) muss eine dem Sägeblatt entsprechend große Bohrung angebracht werden.
 Führungsbügel beim Sägen immer am Werkstück anlegen.
 Verbrauchte Wechselakkus nicht ins Feuer oder in den Hausmüll werfen. Milwaukee bietet eine umweltgerechte Alt-Wechselakku-Entsorgung an; bitte fragen Sie Ihren Fachhändler.
 Wechselakkus nicht zusammen mit Metallgegenständen aufbewahren (Kurzschlussgefahr).
 Wechselakkus des Systems C18 nur mit Ladegeräten des Systems C18 laden. Keine Akkus aus anderen Systemen laden.

In den Wechselakku-Einschubschacht der Ladegeräte dürfen keine Metallteile gelangen (Kurzschlussgefahr).
 Wechselakkus und Ladegeräte nicht öffnen und nur in trockenen Räumen lagern. Vor Nässe schützen.
 Unter extremer Belastung oder extremer Temperatur kann aus beschädigten Wechselakkus Batterieflüssigkeit auslaufen. Bei Berührung mit Batterieflüssigkeit sofort mit Wasser und Seife abwaschen. Bei Augenkontakt sofort mindestens 10 Minuten gründlich spülen und unverzüglich einen Arzt aufsuchen.

CE-KONFORMITÄTSERKLÄRUNG

Wir erklären in alleiniger Verantwortung, dass das unter „Technische Daten“ beschriebene Produkt mit allen relevanten Vorschriften der Richtlinie 2011/65/EU (RoHS), 2014/30/EU, 2006/42/EG und den folgenden harmonisierten normativen Dokumenten übereinstimmt:
 EN 60745-1:2009 + A11:2010
 EN 60745-2-11:2010
 EN 55014-1:2006 + A1:2009 + A2:2011
 EN 55014-2:1997 + A1:2001 + A2:2008
 EN 50581:2012

Winnenden, 2016-03-29

Alexander Krug
 Alexander Krug
 Managing Director



Bevollmächtigt die technischen Unterlagen zusammenzustellen.
 Techtronic Industries GmbH
 Max-Eyth-Straße 10
 71364 Winnenden
 Germany

BESTIMMUNGSGEMÄSSE VERWENDUNG

Die Säbelsäge sägt Holz, Kunststoff und Metall. Sie schneidet Geraden, Kurven und Innenausschnitte. Sie schneidet Rohre und trennt flächenbündig ab.
 Dieses Gerät darf nur wie angegeben bestimmungsgemäß verwendet werden.

AKKUS

Neue Wechselakkus erreichen ihre volle Kapazität nach 4-5 Lade- und Entladezyklen. Längere Zeit nicht benutzte Wechselakkus vor Gebrauch nachladen.
 Eine Temperatur über 50°C vermindert die Leistung des Wechselakkus. Längere Erwärmung durch Sonne oder Heizung vermeiden.
 Die Anschlusskontakte an Ladegerät und Wechselakku sauber halten.
 Für eine möglichst lange Lebensdauer sollten die Akkus nach dem Aufladen aus dem Ladegerät entfernt werden.
 Bei Lagerung des Akkus länger als 30 Tage:
 Akku bei ca. 27°C und trocken lagern.
 Akku bei ca. 30%-50% des Ladezustandes lagern.
 Akku alle 6 Monate erneut aufladen.






AKKUÜBERLASTSCHUTZ

Bei Überlastung des Akkus durch sehr hohen Stromverbrauch, z.B. extrem hohe Drehmomente, Verklemmen des Sägeblattes, plötzlichem Stopp oder Kurzschluss, stoppt das Elektrowerkzeug 2 Sekunden lang und schaltet sich selbsttätig ab.
 Zum Wiedereinschalten, den Schalterdrücker loslassen und dann wieder einschalten.
 Unter extremen Belastungen kann sich der Akku stark erhitzen. In diesem Fall schaltet der Akku ab.
 Den Akku dann in das Ladegerät stecken um ihn wieder aufzuladen und zu aktivieren.
 Für eine optimale Lebensdauer müssen nach dem Gebrauch die Akkus voll geladen werden.

WARTUNG

Stets die Lüftungsschlitze der Maschine sauber halten.
 Nur Milwaukee Zubehör und Ersatzteile verwenden. Bauteile, deren Austausch nicht beschrieben wurde, bei einer Milwaukee Kundendienststelle auswechseln lassen (Broschüre Garantie/Kundendienstadressen beachten).
 Bei Bedarf kann eine Explosionszeichnung des Gerätes unter Angabe der Maschinen Type und der sechsstelligen Nummer auf dem Leistungsschild bei Ihrer Kundendienststelle oder direkt bei Techtronic Industries GmbH, Max-Eyth-Straße 10, 71364 Winnenden, Germany angefordert werden.

SYMBOLE

-  **ACHTUNG! WARNUNG! GEFAHR!**
-  Vor allen Arbeiten an der Maschine den Wechselakku herausnehmen
-  Bitte lesen Sie die Gebrauchsanweisung vor Inbetriebnahme sorgfältig durch.
-  Zubehör - Im Lieferumfang nicht enthalten, empfohlene Ergänzung aus dem Zubehörprogramm.
-  Elektrogeräte dürfen nicht zusammen mit dem Hausmüll entsorgt werden. Elektrische und elektronische Geräte sind getrennt zu sammeln und zur umweltgerechten Entsorgung bei einem Verwertungsbetrieb abzugeben. Erkundigen Sie sich bei den örtlichen Behörden oder bei Ihrem Fachhändler nach Recyclinghöfen und Sammelstellen.

CE
EAC
 CE-Zeichen
 EurAsian Konformitätszeichen.

CARACTÉRISTIQUES TECHNIQUES SCIE SABRE SANS FIL

M18 BSX

Numéro de série.....	4526 70 02...
.....	4472 76 02...
.....	...00001-99999
Profondeur de coupe max. :	
Bois tendre	300 mm
Acier	20 mm
Aluminium.....	25 mm
Métal lourd non-ferreux	25 mm
Tubes métalliques	150 mm
Tension accus interchangeable	18 V
Nombre de courses à vide.....	0-3000 min ⁻¹
Hauteur de la course	28,6 mm
Poids suivant EPTA-Procédure 01/2003	4,0 kg

Informations sur le bruit

Valeurs de mesure obtenues conformément à la EN 60 745.

Les mesures réelles (A) des niveaux acoustiques de l'appareil sont :

Niveau de pression acoustique (Incertitude K=3dB(A))	82,9 dB (A)
Niveau d'intensité acoustique (Incertitude K=3dB(A))	93,9 dB (A)

Toujours porter une protection acoustique!**Informations sur les vibrations**

Valeurs totales des vibrations (somme vectorielle de trois sens)

établies conformément à EN 60745.

Sciage du bois	
Valeur d'émission vibratoire a _v	18,0 m/s ²
Incertitude K=	1,5 m/s ²
Découpe de poutres en bois	
Valeur d'émission vibratoire a _v	15,2 m/s ²
Incertitude K=	1,5 m/s ²

AVERTISSEMENT

Le niveau vibratoire indiqué dans ces instructions a été mesuré selon un procédé de mesure normalisé dans la norme EN 60745 et peut être utilisé pour comparer des outils électriques entre eux. Il convient aussi à une estimation provisoire de la sollicitation par les vibrations.

Le niveau vibratoire indiqué représente les applications principales de l'outil électrique. Toutefois, si l'outil électrique est utilisé pour d'autres applications, avec des outils rapportés qui diffèrent ou une maintenance insuffisante, il se peut que le niveau vibratoire diverge. Cela peut augmenter nettement la sollicitation par les vibrations sur tout l'intervalle de temps du travail.

Pour une estimation précise de la sollicitation par les vibrations, on devrait également tenir compte des temps pendant lesquels l'appareil n'est pas en marche ou tourne sans être réellement en service. Cela peut réduire nettement la sollicitation par les vibrations sur tout l'intervalle de temps du travail.

Définissez des mesures de sécurité supplémentaires pour protéger l'utilisateur contre l'influence des vibrations, comme par exemple : la maintenance de l'outil électrique et des outils rapportés, le maintien au chaud des mains, l'organisation des déroulements de travail.

AVIS! Lire complètement les instructions et les indications de sécurité. Le non-respect des avertissements et instructions indiqués ci après peut entraîner un choc électrique, un incendie et/ou de graves blessures sur les personnes.

Bien garder tous les avertissements et instructions.

CONSIGNES DE SÉCURITÉ CONCERNANT LES SCIES SABRES

Portez une protection acoustique. L'influence du bruit peut provoquer la surdité.

Maintenez l'appareil par les surfaces de poignée isolées lorsque vous exécutez des travaux pendant lesquels l'outil de coupe peut toucher des lignes électriques dissimulées.

Le contact de l'outil de coupe avec un câble qui conduit la tension peut mettre les pièces métalliques de l'appareil sous tension et mener à une décharge électrique.

AVIS COMPLÉMENTAIRES DE SÉCURITÉ ET DE TRAVAIL

Utiliser l'équipement de protection. Toujours porter des lunettes de protection pendant le travail avec la machine. Il est recommandé de porter des articles de protection, tels que masque antipoussière, gants de protection, chaussures tenant bien aux pieds et antidérapantes, casque et protection acoustique.

Les poussières qui sont dégagées pendant les travaux sont souvent nocives pour la santé et ne devraient pas pénétrer dans le corps. Porter un masque de protection approprié contre les poussières.

Il est interdit de travailler des matériaux dangereux pour la santé (par ex. amiante).

Désactiver immédiatement le dispositif en cas de blocage ! Ne pas réactiver le dispositif avec l'outil bloqué; il y a le risque de provoquer un contrecoup avec moment de réaction élevé. Établir et éliminer la cause du blocage de l'outil en prêtant attention aux consignes de sécurité.

Les causes possibles sont :

- Encastrement dans la pièce à travailler.
- Le dispositif a traversé le matériau à travailler en le cassant.
- Le dispositif électrique a été surchargé.

Ne pas approcher les mains de la partie en mouvement de la machine.

Durant l'utilisation, l'outil peut se surchauffer.

AVERTISSEMENT! Danger de brûlures

- durant le remplacement de l'outil
- durant la dépose de l'outil

Ne jamais enlever les copeaux ni les éclats lorsque la machine est en marche.

Lors du perçage dans les murs, les plafonds ou les planchers, toujours faire attention aux câbles électriques et aux conduites de gaz et d'eau.

Fixer fermement la pièce en exécution à l'aide d'un dispositif de serrage. Des pièces en exécution non fermement fixées peuvent provoquer des dommages et des lésions graves.

Il est absolument impératif d'utiliser le dispositif protecteur de la machine.

Ne pas utiliser de lames de scie fissurées ou déformées.

Le sciage en plongée n'est possible que dans des matériaux tendres (bois, matériaux de construction légers pour les murs). Si les matériaux sont plus durs (métaux), une perçée plus importante doit être faite au moyen de la lame.

Toujours appuyer l'étrier de guidage sur la pièce à travailler.

Ne pas jeter les accus interchangeables usés au feu ou avec les déchets ménagers. Milwaukee offre un système d'évacuation écologique des accus usés.

Ne pas conserver les accus interchangeables avec des objets métalliques (risque de court-circuit)

Ne charger les accus interchangeables du système C18 qu'avec le chargeur d'accus du système C18. Ne pas charger des accus d'autres systèmes.

Aucune pièce métallique ne doit pénétrer dans le logement d'accu du chargeur (risque de court-circuit)

Ne pas ouvrir les accus interchangeables et les chargeurs et ne les stocker que dans des locaux secs. Les protéger contre l'humidité.

En cas de conditions ou températures extrêmes, du liquide caustique peut s'échapper d'un accu interchangeable endommagé. En cas de contact avec le liquide caustique de la batterie, laver immédiatement avec de l'eau et du savon. En cas de contact avec les yeux, rincer soigneusement avec de l'eau et consulter immédiatement un médecin.

DÉCLARATION CE DE CONFORMITÉ

Nous déclarons sous notre seule responsabilité que le produit décrit sous « Caractéristiques techniques » concorde avec toutes les consignes pertinentes de la directive 2011/65 EU (RoHS), 2014/30/UE, 2006/42/CE et les documents normatifs harmonisés suivants :

EN 60745-1:2009 + A11:2010

EN 60745-2-11:2010

EN 55014-1:2006 + A1:2009 + A2:2011

EN 55014-2:1997 + A1:2001 + A2:2008

EN 50581:2012

Winnenden, 2016-03-29



Alexander Krug
Managing Director



Autorisé à compiler la documentation technique.

Techtronic Industries GmbH
Max-Eyth-Straße 10
71364 Winnenden
Germany

UTILISATION CONFORME AUX PRESCRIPTIONS

La scie sabre permet de scier du bois, des matières synthétiques et des métaux. Elle permet des découpes rectilignes et curvilignes et des découpes intérieures. Elle permet de découper des tuyaux au ras des murs.

Comme déjà indiqué, cette machine n'est conçue que pour être utilisée conformément aux prescriptions.

ACCUS

Les nouveaux accus interchangeables atteignent leur pleine capacité après 4-5 cycles de chargement et déchargement. Recharger les accus avant utilisation après une longue période de non utilisation.

Une température supérieure à 50°C amoindrit la capacité des accus. Éviter les expositions prolongées au soleil ou au chauffage.

Tenir propres les contacts des accus et des chargeurs.

Pour une plus longue durée de vie, enlever les batteries du chargeur de batterie quand celles-ci seront chargées.

En cas d'entreposage de la batterie pour plus de 30 jours: Entreposer la batterie à 27°C environ dans un endroit sec.

Entreposer la batterie avec une charge d'environ 30% - 50%. Recharger la batterie tous les 6 mois.

PROTECTION DE L'ACCU CONTRE LES SURCHARGES

En cas de surcharge de l'accu suite à une consommation de courant très élevée, par exemple des couples extrêmement hauts, un coincement, un arrêt soudain ou un court-circuit, l'outil électrique se met à bourdonner pendant 2 secondes et s'éteint automatiquement.

Pour le remettre en marche, il faut relâcher le poussoir de commutateur, puis l'enclencher à nouveau.

Il se peut que l'accu s'échauffe fortement s'il est soumis à des sollicitations extrêmes. Dans ce cas, il se déconnecte.

Mettre alors l'accu en place dans le chargeur pour le recharger et l'activer.

Pour une durée de vie optimale, les accus doivent être chargés à fond après l'utilisation.

ENTRETIEN

Tenir toujours propres les orifices de ventilation de la machine.

N'utiliser que des pièces et accessoires Milwaukee. Pour des pièces dont l'échange n'est pas décrit, s'adresser de préférence aux stations de service après-vente Milwaukee (voir brochure Garantie/Adresses des stations de service après-vente).

Si besoin est, une vue éclatée de l'appareil peut être fournie. S'adresser, en indiquant bien le numéro porté sur la plaque signalétique, à votre station de service après-vente (voir liste jointe) ou directement à Techtronic Industries GmbH, Max-Eyth-Straße 10, 71364 Winnenden, Germany.

SYMBOLES

ATTENTION! AVERTISSEMENT! DANGER!



Avant tous travaux sur la machine retirer l'accu interchangeable.



Veillez lire avec soin le mode d'emploi avant la mise en service



Accessoires - Ces pièces ne font pas partie de la livraison. Il s'agit là de compléments recommandés pour votre machine et énumérés dans le catalogue des accessoires.



Les dispositifs électriques ne sont pas à éliminer dans les déchets ménagers.

Les dispositifs électriques et électroniques sont à collecter séparément et à remettre à un centre de recyclage en vue de leur élimination dans le respect de l'environnement.

S'adresser aux autorités locales ou au détaillant spécialisé en vue de connaître l'emplacement des centres de recyclage et des points de collecte.



Marque CE

Marque de qualité EurAsian

DATI TECNICI SEGA DRITTA A BATTERIA M18 BSX

Numero di serie	4526 70 02...
.....	4472 76 02...
.....	...00001-999999
Massima profondità di taglio nel:	
Legno tenero	300 mm
Acciaio	20 mm
Alluminio	25 mm
Metallo non ferroso	25 mm
Tubi metallici	150 mm
Tensione batteria	18 V
Numero di corse a vuoto	0-3000 min ⁻¹
Altezza corsa	28,6 mm
Peso secondo la procedura EPTA 01/2003	4,0 kg

Informazioni sulla rumorosità

Valori misurati conformemente alla norma EN 60 745.

La misurazione A del livello di pressione acustica dell'utensile è di solito di:

Livello di rumorosità (Incertezza della misura K=3dB(A))	82,9 dB (A)
Potenza della rumorosità (Incertezza della misura K=3dB(A))	93,9 dB (A)

Utilizzare le protezioni per l'udito!

Informazioni sulle vibrazioni

Valori totali delle oscillazioni (somma di vettori in tre direzionmisurati conformemente alla norma EN 60745

Segatura di legno	
Valore di emissione dell'oscillazione a _h	18,0 m/s ²
Incertezza della misura K=	1,5 m/s ²
Talpa di legno	
Valore di emissione dell'oscillazione a _h	15,2 m/s ²
Incertezza della misura K=	1,5 m/s ²

AVVERTENZA

Il livello di vibrazioni indicato nelle presenti istruzioni è stato misurato in conformità con un procedimento di misurazione codificato nella EN 60745 e può essere utilizzato per un confronto tra attrezzi elettrici. Inoltre si può anche utilizzare per una valutazione preliminare della sollecitazione da vibrazioni.

Il livello di vibrazioni indicato rappresenta le applicazioni principali dell'attrezzo elettrico. Se viceversa si utilizza l'attrezzo elettrico per altri scopi, con accessori differenti o con una manutenzione insufficiente, il livello di vibrazioni può risultare diverso. E questo può aumentare decisamente la sollecitazione da vibrazioni lungo l'intero periodo di lavorazione.

Ai fini di una valutazione precisa della sollecitazione da vibrazioni si dovrebbero tenere presente anche i periodi in cui l'apparecchio rimane spento oppure, anche se acceso, non viene effettivamente utilizzato. Ciò può ridurre notevolmente la sollecitazione da vibrazioni lungo l'intero periodo di lavorazione.

Stabilite misure di sicurezza supplementari per la tutela dell'operatore dall'effetto delle vibrazioni, come ad esempio: manutenzione dell'attrezzo elettrico e degli accessori, riscaldamento delle mani, organizzazione dei processi di lavoro.

AVVERTENZA! Leggere tutte le istruzioni ed indicazioni di sicurezza. In caso di mancato rispetto delle avvertenze di pericolo e delle istruzioni operative si potrà creare il pericolo di scosse elettriche, incendi e/o incidenti gravi.
Conservare tutte le avvertenze di pericolo e le istruzioni operative per ogni esigenza futura.

INDICAZIONI DI SICUREZZA PER SEGHE A SCIABOLA

Indossare protezioni acustiche adeguate. L'esposizione prolungata al rumore senza protezione può causare danni all'udito.

Impugnare l'apparecchio sulle superfici di tenuta isolate mentre si eseguono lavori durante i quali l'utensile da taglio potrebbe entrare in contatto con cavi di corrente. L'eventuale contatto dell'utensile da taglio con un cavo sotto tensione potrebbe mettere sotto tensione le parti metalliche dell'apparecchio e provocare una folgorazione.

ULTERIORI AVVISI DI SICUREZZA E DI LAVORO

Usare dispositivi di protezione. Durante il lavoro con la macchina bisogna sempre portare occhiali di protezione. Si consiglia di indossare indumenti di protezione come maschera antipolvere, guanti di protezione, scarpe antiscivolo robuste, casco e cuffie di protezione acustica.

La polvere che si produce durante il lavoro è spesso dannosa per la salute e non dovrebbe essere aspirata. Portare un'adeguata mascherina protettiva.

E' vietato lavorare materiali che possono costituire pericoli alla salute (ad es. amianto).

Spegnere immediatamente il dispositivo in caso di bloccaggio! Non riaccendere il dispositivo fino a quando l'utensile ad inserto resta bloccato; esiste il rischio di causare un contraccolpo con elevato momento di reazione. Rilevare ed eliminare la causa del bloccaggio dell'utensile ad inserto tenendo conto delle indicazioni di sicurezza.

Le possibili cause sono:

- Incastro nel pezzo in lavorazione
- Il dispositivo ha attraversato il materiale da lavorare rompendolo
- Il dispositivo elettrico è stato sovraccaricato

Non avvicinare le mani alla parte della macchina in movimento.

Durante l'uso l'utensile ad inserto può surriscaldarsi.

AVVERTENZA! Pericolo di ustioni

- durante la sostituzione dell'utensile
- durante il deposito dell'utensile

Non rimuovere trucioli o schegge mentre l'utensile è in funzione.

Forando pareti, soffitti o pavimenti, si faccia attenzione ai cavi elettrici e alle condutture dell'acqua e del gas.

Fissare in sicurezza il pezzo in lavorazione con un dispositivo di serraggio. Pezzi in lavorazione che non siano fissati in sicurezza possono causare gravi lesioni e danni.

Usare sempre il dispositivo di protezione dell'apparecchio.

Non devono essere utilizzate né lame incrinata né lame la cui forma abbia subito alterazioni.

E' possibile effettuare tagli ad immersione solo nei materiali dolci (legno, materiali per costruzione leggera) per i materiali (metalli) duri è invece necessario praticare un foro adatto alle dimensioni della lama.

Segando, posizionare sempre la staffa di guida sul pezzo da lavorare.

Non gettare le batterie esaurite sul fuoco o nella spazzatura di casa. La Milwaukee offre infatti un servizio di recupero batterie usate.

Nel vano d'innesto per la batteria del caricatore non devono entrare parti metalliche (pericolo di cortocircuito).

Le batterie del System C18 sono ricaricabili esclusivamente con i caricatori del System C18. Le batterie di altri sistemi non possono essere ricaricate.

Non conservare le batterie con oggetti metallici (pericolo di cortocircuito).

Non aprire né la batteria né il caricatore e conservarli solo in luogo asciutto. Proteggerli dalla umidità.

Nel caso di batterie danneggiate da un carico eccessivo o da temperature alte, l'acido di queste potrebbe fuoriuscire. In caso di contatto con l'acido delle batterie lavarsi immediatamente con acqua e sapone. In caso di contatto con gli occhi risciacquare immediatamente con acqua per almeno 10 minuti e contattare subito un medico.

DICHIARAZIONE DI CONFORMITÀ CE

Dichiaro sotto la nostra esclusiva responsabilità che il prodotto descritto ai "Dati tecnici" corrisponde a tutte le disposizioni delle direttive 2011/65/EU (RoHS), 2014/30/UE, 2006/42/CE e successivi documenti normativi armonizzati:

EN 60745-1:2009 + A11:2010
EN 60745-2-11:2010
EN 55014-1:2006 + A1:2009 + A2:2011
EN 55014-2:1997 + A1:2001 + A2:2008
EN 50581:2012

Winnenden, 2016-03-29

Alexander Krug

Alexander Krug
Managing Director



Autorizzato alla preparazione della documentazione tecnica

Techtronic Industries GmbH
Max-Eyth-Straße 10
71364 Winnenden
Germany

UTILIZZO CONFORME

Questo sega dritta può essere utilizzato per lavorare legno, materiale sintetico e acciaio; per effettuare tagli dritti e obliqui, curve e per tagli all'interno del materiale.

Utilizzare il prodotto solo per l'uso per cui è previsto.

BATTERIE

Le batterie nuove raggiungono la loro piena capacità dopo 4-5 cicli di carica e scarica. Batterie non utilizzate per molto tempo devono essere ricaricate prima dell'uso.

A temperature superiori ai 50°C, la potenza della batteria si riduce.

Evitare di esporre l'accumulatore a surriscaldamento prolungato, dovuto ad esempio ai raggi del sole o ad un impianto di riscaldamento.

Per una più lunga durata, rimuovere le batterie dal caricabatterie quando saranno cariche.

In caso di immagazzinaggio della batteria per più di 30 giorni: Immagazzinare la batteria a circa 27°C in ambiente asciutto. Immagazzinare la batteria con carica di circa il 30% - 50%. Ricaricare la batteria ogni 6 mesi.

DISPOSITIVO ANTISOVRACCARICO ACCUMULATORE

In caso di sovraccarico dell'accumulatore dovuto a consumo molto elevato di corrente, ad es. coppie di serraggio estremamente elevate, bloccaggio, arresto improvviso o cortocircuito, l'elettrotensile romba per 2 secondi e poi si spegne automaticamente.

Per riaccenderlo, rilasciare l'interruttore e poi riaccenderlo. Se sottoposto a carichi estremi, l'accumulatore può surriscaldarsi. In questo caso l'accumulatore si spegne.

Inserire l'accumulatore nell'apparecchio carica-batterie per ricaricarlo e attivarlo.

Per una ottimale vita utile è necessario ricaricare completamente le batterie dopo l'uso.

MANUTENZIONE

Tener sempre ben pulite le fessure di ventilazione dell'apparecchio.

Utilizzare esclusivamente accessori e pezzi di ricambio Milwaukee. L'installazione di pezzi di ricambio non specificamente prescritti dall'Milwaukee va preferibilmente effettuata dal servizio di assistenza clienti Milwaukee (ved. opuscolo Garanzia/Indirizzi Assistenza tecnica).

In caso di mancanza del disegno esplosivo, può essere richiesto al seguente indirizzo: Techtronic Industries GmbH, Max-Eyth-Straße 10, 71364 Winnenden, Germany.

Simboli



ATTENZIONE! AVVERTENZA! PERICOLO!



Prima di iniziare togliere la batteria dalla macchina.



Leggere attentamente le istruzioni per l'uso prima di mettere in funzione l'elettrotensile.



Accessorio - Non incluso nella dotazione standard, disponibile a parte come accessorio.



I dispositivi elettrici non devono essere smaltiti con i rifiuti domestici. I dispositivi elettrici ed elettronici devono essere raccolti separatamente e devono essere conferiti ad un centro di riciclaggio per lo smaltimento rispettoso dell'ambiente. Chiedere alle autorità locali o al rivenditore specializzato dove si trovano i centri di riciclaggio e i punti di raccolta.



Marchio CE

Marchio di conformità EurAsian

DATOS TÉCNICOS SIERRA DE SABLE A BATERÍA M18 BSX

Número de producción.....	4526 70 02...
.....	4472 76 02...
.....	...00001-999999
Profundidad de corte máx. en:	
Madera blanda.....	300 mm
Acero.....	20 mm
Aluminio.....	25 mm
Metal no férreo.....	25 mm
Tubos metálicos.....	150 mm
Voltaje de batería.....	18 V
Nº de carreras en vacío.....	0-3000 min ⁻¹
Carrera.....	28,6 mm
Peso de acuerdo con el procedimiento EPTA 01/2003.....	4,0 kg

Información sobre ruidos

Determinación de los valores de medición según norma EN 60 745.

El nivel de ruido típico del aparato determinado con un filtro A corresponde a:

Presión acústica (Tolerancia K=3dB(A)).....	82,9 dB (A)
Resonancia acústica (Tolerancia K=3dB(A)).....	93,9 dB (A)

Usar protectores auditivos!

Informaciones sobre vibraciones

Nivel total de vibraciones (suma vectorial de tres direcciones) determinado según EN 60745.

Aserrado de madera

Valor de vibraciones generadas a _h	18,0 m/s ²
Tolerancia K=.....	1,5 m/s ²

Corte de vigas de madera

Valor de vibraciones generadas a _h	15,2 m/s ²
Tolerancia K=.....	1,5 m/s ²

ADVERTENCIA

El nivel vibratorio indicado en estas instrucciones ha sido medido conforme a un método de medición estandarizado en la norma EN 60745, y puede utilizarse para la comparación entre herramientas eléctricas. También es apropiado para una estimación provisional de la carga de vibración.

El nivel vibratorio indicado representa las aplicaciones principales de la herramienta eléctrica. Si, pese a ello, se utiliza la herramienta eléctrica para otras aplicaciones, con útiles adaptables diferentes o con un mantenimiento insuficiente, el nivel vibratorio puede diferir. Esto puede incrementar sensiblemente la carga de vibración durante todo el periodo de trabajo.

Para una estimación exacta de la carga de vibración deberían tenerse en cuenta también los tiempos durante los que el aparato está apagado o, pese a estar en funcionamiento, no está siendo realmente utilizado. Esto puede reducir sustancialmente la carga de vibración durante todo el periodo de trabajo.

Adopte medidas de seguridad adicionales para la protección del operador frente al efecto de las vibraciones, como por ejemplo: mantenimiento de la herramienta eléctrica y de los útiles adaptables, mantener las manos calientes, organización de los procesos de trabajo.

⚠ ATENCIÓN: Lea atentamente las indicaciones e instrucciones de seguridad. En caso de no atenerse a las advertencias de peligro e instrucciones siguientes, ello puede ocasionar una descarga eléctrica, un incendio y/o lesión grave. **Guardar todas las advertencias de peligro e instrucciones para futuras consultas.**

⚠ INSTRUCCIONES DE SEGURIDAD PARA SIERRAS SABLE

¡Utilice protección auditiva! La exposición a niveles de ruido excesivos puede causar pérdida de audición

Sujete el aparato de las superficies aisladas de agarre al efectuar trabajos en los cuales la perforadora de percusión pueda entrar en contacto con conductores de corriente ocultos. El contacto de la perforadora de percusión con un conducto con energía aplicada también podrá poner bajo tensión partes metálicas del aparato y causar un choque eléctrico.

INSTRUCCIONES ADICIONALES DE SEGURIDAD Y LABORALES

Utilice el equipamiento de protección. Mientras trabaje con la máquina lleve siempre gafas protectoras. Se recomienda utilizar ropa de protección como máscara protectora contra el polvo, guantes protectores, calzado resistente y antidislizante, casco y protección para los oídos.

El polvo que se produce durante estos trabajos puede ser nocivo a la salud; es por ello aconsejable que no penetre al cuerpo. Utilice por ello una máscara protectora contra polvo.

No se deben trabajar materiales que conlleven un riesgo para la salud (por ej. amianto).

¡En caso de que se bloquee el útil, el aparato se debe desconectar inmediatamente! No vuelva a conectar el aparato, mientras el útil esté bloqueado; se podría producir un rechazo debido a la reacción de retroceso brusca. Averigüe y elimine la causa del bloqueo del útil, teniendo en cuenta las indicaciones de seguridad.

Causas posibles para ello pueden ser:

- Atascamiento o bloqueo en la pieza de trabajo
- Rotura del material con el que está trabajando
- Sobrecarga de la herramienta eléctrica

No introduzca las manos en la máquina mientras ésta se encuentra en funcionamiento.

El útil se puede calentar durante el uso.

ADVERTENCIA! Peligro de quemaduras

- en caso de cambiar la herramienta
- en caso de depositar el aparato

Nunca se debe intentar limpiar el polvo o viruta procedente del taladrado con la máquina en funcionamiento.

Para trabajar en paredes, techo o suelo, tenga cuidado para evitar los cables eléctricos y tuberías de gas o agua.

Fije la pieza de trabajo con un dispositivo de fijación. Las piezas de trabajo no fijadas pueden causar lesiones graves y deterioros.

Usar siempre las piezas de protección de la máquina.

No usar seguetas rajadas o torcidas.

En materiales blandos (madera, materiales ligeros de construcción para paredes) es posible hacer cortes verticales sin taladrar primero un agujero. En materiales duros (metales) primero se debe taladrar un agujero de acuerdo con el tamaño de la següeta.

Al serrar aplicar siempre el estribo guía a la pieza de trabajo.

No tire las baterías usadas a la basura ni al fuego. Los Distribuidores Milwaukee ofrecen un servicio de recogida de baterías antiguas para proteger el medio ambiente.

No almacene la batería con objetos metálicos (riesgo de cortocircuito).

Recargar solamente los acumuladores del Sistema C18 en cargadores C18. No intentar recargar acumuladores de otros sistemas.

No introduzca en la cavidad del cargador objetos metálicos (riesgo de cortocircuito).

No abra nunca las baterías ni los cargadores y guárdelos sólo en lugares secos. Protéjalos de la humedad en todo momento.

En caso de sobrecarga o alta temperatura, pueden llegar a producirse escapes de ácido provenientes de la batería. En caso de contacto con éste, limpie inmediatamente la zona con agua y jabón. Si el contacto es en los ojos, límpiese concienzudamente con agua durante 10 minutos y acuda inmediatamente a un médico

DECLARACION DE CONFORMIDAD CE

Declaramos bajo nuestra responsabilidad que el producto descrito bajo "Datos técnicos" está en conformidad con todas las normas relevantes de la directiva 2011/65/EU (RoHs), 2014/30/UE, 2006/42/CE y con las siguientes normas o documentos normalizados:

EN 60745-1:2009 + A11:2010

EN 60745-2-11:2010

EN 55014-1:2006 + A1:2009 + A2:2011

EN 55014-2:1997 + A1:2001 + A2:2008

EN 50581:2012

Winnenden, 2016-03-29

Alexander Krug
Managing Director



Autorizado para la redacción de los documentos técnicos.

Techtronic Industries GmbH
Max-Eyth-Straße 10
71364 Winnenden
Germany

APLICACIÓN DE ACUERDO A LA FINALIDAD

Esta sierra de sable puede cortar madera, plástico y metal; puede cortar líneas rectas, curvas y efectuar cortes internos.

No utilice este producto para ninguna otra aplicación que no sea su uso normal.

BATERÍA

Las baterías nuevas alcanzan su plena capacidad de carga después de 4 - 5 cargas y descargas. Las baterías no utilizadas durante cierto tiempo deben ser recargadas antes de usar.

Las temperaturas superiores a 50°C reducen el rendimiento de la batería. Evite una exposición excesiva a fuentes de calor o al sol (riesgo de sobrecalentamiento).

Los puntos de contacto de los cargadores y las baterías se deben mantener limpios.

Para garantizar la máxima capacidad y vida útil, las baterías recargables se deberían retirar del cargador una vez finalizada la carga.

En caso de almacenar la batería recargable más de 30 días: Almacenar la batería recargable en un lugar seco a una temperatura de aproximadamente 27°C.

Almacenar la batería recargable con un estado de carga del 30% y 50% aproximadamente. Recargar la batería cada 6 meses.

PROTECCIÓN CONTRA SOBRECARGA DE LA BATERÍA

En caso de sobrecarga del acumulador por consumo muy elevado de corriente, por ej. debido a pares muy elevados, agarrotamiento, parada repentina o cortocircuito, la herramienta eléctrica zumbará durante 2 segundos y se desconectará automáticamente.

Para reconectarla, liberar primero el gatillo interruptor y después conectarla de nuevo.

Bajo cargas extremas, el acumulador se puede calentar mucho. En este caso desconectar el acumulador.

Meta entonces la batería en el cargador para recargarla otra vez y activarla.

Para un tiempo óptimo de vida, deberán cargarse las baterías completamente después de su uso.

MANTENIMIENTO

Las ranuras de ventilación de la máquina deben estar despejadas en todo momento.

Solo se deben utilizar accesorios y piezas de repuestos Milwaukee. Piezas cuyo recambio no está descrito en las instrucciones de uso, deben sustituirse en un centro de asistencia técnica Milwaukee (Consulte el folleto Garantía/ Direcciones de Centros de Asistencia Técnica).

En caso necesario, puede solicitar un despiece de la herramienta. Por favor indique el número de impreso que hay en la etiqueta y pida el despiece a la siguiente dirección: Techtronic Industries GmbH, Max-Eyth-Straße 10, 71364 Winnenden, Germany.

SÍMBOLOS



¡ATENCIÓN! ¡ADVERTENCIA! ¡PELIGRO!



Retire la batería antes de comenzar cualquier trabajo en la máquina.



Lea las instrucciones detenidamente antes de conectar la herramienta



Accesorio - No incluido en el equipo estándar, disponible en la gama de accesorios.



Los aparatos eléctricos no se deben eliminar junto con la basura doméstica. Los aparatos eléctricos y electrónicos se deben recoger por separado y se deben entregar a una empresa de reciclaje para una eliminación respetuosa con el medio ambiente. Infórmese en las autoridades locales o en su tienda especializada sobre los centros de reciclaje y puntos de recogida.



Marca CE

certificado EAC de conformidad

CARACTERÍSTICAS TÉCNICAS SERRA DE SABRE A BATERIA M18 BSX

Número de produção.....	4526 70 02...
.....	4472 76 02...
.....	...00001-999999
Profundidade de corte máx. em Madeira macia.....	300 mm
Aço.....	20 mm
Alumínio.....	25 mm
Material não ferrosos.....	25 mm
Tubos metálicos.....	150 mm
Tensão do acumulador.....	18 V
Nº. de cursos em vazio.....	0-3000 min ⁻¹
Curso.....	28,6 mm
Peso nos termos do procedimento-EPTA 01/2003.....	4,0 kg

Informações sobre ruído

Valores de medida de acordo com EN 60 745.

O nível de ruído avaliado A do aparelho é tipicamente:

Nível da pressão de ruído (Incertez K=3dB(A)).....82,9 dB (A)

Nível da potência de ruído (Incertez K=3dB(A)).....93,9 dB (A)

Use protectores auriculares!

Informações sobre vibração

Valores totais de vibração (soma dos vectores das três direcções) determinadas conforme EN 60745.

Serrar madeira

Valor de emissão de vibração a_v.....18,0 m/s²

Incerteza K=.....1,5 m/s²

Serrar vigas de madeira

Valor de emissão de vibração a_v.....15,2 m/s²

Incerteza K=.....1,5 m/s²

ATENÇÃO

O nível vibratório indicado nestas instruções foi medido em conformidade com um procedimento de medição normalizado na EN 60745 e pode ser utilizado para comparar entre si ferramentas eléctricas. O mesmo é também adequado para avaliar provisoriamente o esforço vibratório.

O nível vibratório indicado representa as principais aplicações da ferramenta eléctrica. Se, no entanto, a ferramenta eléctrica for utilizada para outras aplicações, com outras ferramentas adaptadas ou uma manutenção insuficiente, o nível vibratório poderá divergir. Isto pode aumentar consideravelmente o esforço vibratório ao longo de todo o período do trabalho.

Para uma avaliação exacta do esforço vibratório devem também ser considerados os tempos durante os quais o aparelho está desligado ou está a funcionar, mas não está efectivamente a ser utilizado. Isto pode reduzir consideravelmente o esforço vibratório ao longo de todo o período do trabalho.

Defina medidas de segurança suplementares para proteger o operador do efeito das vibrações, como por exemplo: manutenção da ferramenta eléctrica e das ferramentas adaptadas, manter as mãos quentes, organização das sequências de trabalho.

⚠ ADVERTÊNCIA! Leia todas as instruções de segurança e todas as instruções. O desrespeito das advertências e instruções apresentadas abaixo pode causar choque eléctrico, incêndio e/ou graves lesões.
Guarde bem todas as advertências e instruções para futura referência.

⚠ INSTRUÇÕES DE SEGURANÇA PARA SERRAS DE SABRE

Sempre use a protecção dos ouvidos. A influência de ruídos pode causar surdez.

Segure o aparelho nas superfícies de punho isoladas se estiver a executar trabalhos, nos quais a ferramenta de corte pode tocar em linhas eléctricas escondidas. O contacto da ferramenta de corte com uma linha sob tensão também pode colocar peças metálicas do aparelho sob tensão e levar a um choque eléctrico.

INSTRUÇÕES DE SEGURANÇA E TRABALHO SUPLEMENTARES

Utilizar equipamento de protecção. Durante os trabalhos com a máquina, usar sempre óculos de protecção. Vestuário de protecção, bem como máscara de pó, sapatos fechados e antiderrapante, capacete e protecção auditiva são recomendados.

O pó que resulta ao trabalhar pode ser nocivo para a saúde, por isso não devendo penetrar no corpo. Use uma máscara de protecção contra pó apropriada.

Não devem ser processados materiais que representem um perigo para a saúde (p. ex. asbesto).

Desligue o aparelho imediatamente, quando a ferramenta de inserção bloquear! Não ligue o aparelho novamente durante o bloqueio da ferramenta de inserção, pois isso pode levar a um recuo repentino com uma alta força reactiva. Verifique e elimine a causa do bloqueio da ferramenta de inserção, observando as instruções de segurança.

Causas possíveis podem ser:

- Emperramento na peça a trabalhar
- Material a processar rompido
- Sobrecarga da ferramenta eléctrica

Não toque na máquina em operação.

A ferramenta de inserção pode ficar quente durante a operação.

ATENÇÃO! Perigo de queimar-se

- na troca das ferramentas
- ao depositar o aparelho

Não remover aparas ou lascas enquanto a máquina trabalha.

Ao trabalhar em paredes, tectos e soalhos prestar atenção a que não sejam atingidos cabos eléctricos e canalizações de gás e água.

Fixe a peça a trabalhar com um dispositivo de fixação. Peças a trabalhar não fixadas podem levar a feridas graves e danos sérios.

Nunca utilizar a máquina sem dispositivo de protecção.

Não utilizar lâminas de corte fissuradas ou deformadas.

Cortes enviados só são possíveis em materiais não muito consistentes (madeira, aglomerados ligeiros para paredes). Em materiais mais duros (metais) é necessário efectuar uma furação na qual caiba a lâmina de corte.

Coloque sempre a guia na peça de trabalho quando estiver a serrar.

Não queimar acumuladores gastos nem deixá-los no lixo doméstico. A Milwaukee possui uma eliminação de acumuladores gastos que respeita o meio ambiente.

Não guardar acumuladores junto com objectos metálicos (perigo de curto-circuito).

Use apenas carregadores do Sistema C18 para recarregar os acumuladores do Sistema C18. Não utilize acumuladores de outros sistemas.

Não abrir acumuladores e carregadores. Armazená-los em recintos secos. Protegê-los contra humidade.

Carregadores só devem ser utilizados em recintos secos.

Em caso de cargas ou temperaturas extremas, um acumulador de substituição danificado poderá verter líquido de bateria. Se entrar em contacto com este líquido, deverá lavar-se imediatamente com água e sabão. Em caso de contacto com os olhos, enxagúe-os bem e de imediato durante pelo menos 10 minutos e consulte um médico o mais depressa possível.

DECLARAÇÃO DE CONFORMIDADE CE

Declaramos sob responsabilidade exclusiva, que o produto descrito sob "Dados técnicos" corresponde com todas as disposições relevantes da diretiva 2011/65/EU (RoHS), 2014/30/UE, 2006/42/CE e dos seguintes documentos normativos harmonizados.

EN 60745-1:2009 + A11:2010

EN 60745-2-11:2010

EN 55014-1:2006 + A1:2009 + A2:2011

EN 55014-2:1997 + A1:2001 + A2:2008

EN 50581:2012

Winnenden, 2016-03-29

Alexander Krug
Managing Director



Autorizado a reunir a documentação técnica.

Techtronic Industries GmbH
Max-Eyth-Straße 10
71364 Winnenden
Germany

UTILIZAÇÃO AUTORIZADA

Esta serra de sabre corta madeira, plástico e metal. Cortes curvos e à face do material.

Não use este produto de outra maneira sem ser a normal para o qual foi concebido.

ACUMULADOR

Acumuladores novos atingem a sua plena capacidade após 4-5 ciclos de carga e descarga. Acumuladores não utilizados durante algum tempo devem ser recarregados antes da sua utilização.

Temperaturas acima de 50°C reduzem a capacidade do bloco acumulador. Evitar exposição prolongada ao sol ou a caloríferos.

Manter limpos os contactos eléctricos no carregador e no bloco acumulador.

Para assegurar uma vida útil longa, o pacote de bateria deve ser removido da carregadora depois do carregamento.

Se o pacote de bateria for armazenado por mais de 30 dias: Armazene o pacote de bateria com aprox. 27°C em um lugar seco.

Armazene o pacote de bateria com aprox. 30%-50% da carga completa.

Carregue o pacote de bateria novamente de 6 em 6 meses.

PROTECÇÃO DE SOBRECARGA DE BATERIA

No caso de sobrecarga da bateria devido a um consumo de corrente demasiado elevado, por exemplo um binário de rotação extremamente elevado, um bloqueio, uma paragem repentina ou um curto-circuito, a ferramenta eléctrica vibra durante 2 segundos e desliga-se automaticamente. Para a ligar novamente, desligar e voltar a ligar o interruptor. Sob condições extremas, a bateria pode aquecer demasiado. Neste caso a bateria desliga-se.

Voltar então a colocar o acumulador no carregador para o carregar de novo e para assim o activar.

Para uma vida útil óptima das baterias, terá que carregá-las plenamente após a sua utilização.

MANUTENÇÃO

Manter desobstruídos os rasgos de ventilação na carcaça da máquina.

Utilizar unicamente acessórios e peças sobressalentes da Milwaukee. Sempre que a substituição de um componente não tenha sido descrita nas instruções, será de toda a conveniência mandar executar esse trabalho a um Serviço de Assistência Milwaukee (veja o folheto Garantia/Endereços de Serviços de Assistência).

A pedido e mediante indicação da referência que consta da chapa de características da máquina, pode requerer-se um desenho explosivo da ferramenta eléctrica a: Techtronic Industries GmbH, Max-Eyth-Straße 10, 71364 Winnenden, Germany.

SYMBOLS



ATENÇÃO! PERIGO!



Antes de efectuar qualquer intervenção na máquina retirar o bloco acumulador.



Leia atentamente o manual de instruções antes de colocar a máquina em funcionamento.



Acessório - Não incluído no equipamento normal, disponível como acessório.



Aparelhos eléctricos não devem ser jogados no lixo doméstico.

Aparelhos eléctricos e electrónicos devem ser colectados separadamente e entregues a uma empresa de reciclagem para a eliminação correcta. Solicite informações sobre empresas de reciclagem e postos de colecta de lixo das autoridades locais ou do seu vendedor autorizado.



Marca CE

Marca de conformidade EurAsian.

Productienummer	4526 70 02...
.....	4472 76 02...
.....	...00001-999999
Max. schroefdiepte in:	
Zacht hout.....	300 mm
Staal	20 mm
Aluminium.....	25 mm
Non-ferro metaal.....	25 mm
Metaalpijp	150 mm
Spanning wisselakku	18 V
Onbelast toerental	0-3000 min ⁻¹
Slaglengte.....	28,6 mm
Gewicht volgens de EPTA-procedure 01/2003	4,0 kg

Geluidsinformatie

Meetwaarden vastgesteld volgens EN 60 745.
 Het kenmerkende A-gewogen geluidsniveau van de machine bedraagt:

Geluidsdruk niveau (Onzekerheid K=3dB(A))	82,9 dB (A)
Geluidsvermogen niveau (Onzekerheid K=3dB(A))	93,9 dB (A)

Draag oorbeschermers!

Trillingsinformatie

Totale trillingswaarden (vectorsom van drie richtingebepaald volgens EN 60745.

Zagen van hout	
Trillingsemisiewaarde a _h	18,0 m/s ²
Onzekerheid K=.....	1,5 m/s ²
Zagen van houten balken	
Trillingsemisiewaarde a _h	15,2 m/s ²
Onzekerheid K=.....	1,5 m/s ²

WAARSCHUWING

De in deze aanwijzingen vermelde trillingsdruk is gemeten volgens een in EN 60745 genoemde meetmethode en kan worden gebruikt voor de onderlinge vergelijking van apparaten. Hij is ook geschikt voor een voorlopige inschatting van de trillingsbelasting. De aangegeven trillingsdruk geldt voor de meest gebruikelijke toepassingen van het elektrische apparaat. Wanneer het elektrische gereedschap echter voor andere doeleinden, met andere dan de voorgeschreven hulpstukken gebruikt of niet naar behoren onderhouden wordt, kan de trillingsdruk afwijken. Dit kan de waarde van de trillingsdruk over de hele werkperiode aanzienlijk verhogen. Voor een nauwkeurige inschatting van de trillingsdruk moeten ook de tijden in aanmerking worden genomen dat het apparaat uitgeschakeld is of weliswaar loopt, maar niet werkelijk in gebruik is. Dit kan de waarde van de trillingsdruk over de hele werkperiode aanzienlijk verminderen.

Bepaal extra veiligheidsmaatregelen ter bescherming van de bediener tegen de inwerking van trillingen, bijvoorbeeld: onderhoud van elektrische gereedschappen en apparaten, warmhouden van de handen, organisatie van de werkprocessen.

⚠ WAARSCHUWING! Lees alle veiligheidsinstructies en aanwijzingen. Als de waarschuwingen en voorschriften niet worden opgevolgd, kan dit een elektrische schok, brand of ernstig letsel tot gevolg hebben. **Bewaer alle waarschuwingen en voorschriften voor toekomstig gebruik.**

⚠ VEILIGHEIDSLINSTRUCTIES VOOR SABELZAGEN

Draag oorbeschermers. Blootstelling aan geluid kan het gehoor beschadigen. **Houd het apparaat alléén aan de geïsoleerde grijpvlakken vast, wanneer u werkzaamheden uitvoert waarbij het snijgereedschap verborgen stroomleidingen zou kunnen raken.** Het contact van het snijgereedschap met een spanningvoerende leiding kan de metalen apparaatdelen onder spanning zetten en zo tot een elektrische schok leiden.

VERDERE VEILIGHEIDS- EN WERKINSTRUCTIES

Draag veiligheidsuitrusting. Bij werkzaamheden met de machine dient u altijd een veiligheidsbril te dragen. Veiligheidskleding zoals stofmasker, veiligheidshandschoenen, stevig en slipvast schoeisel, helm en gehoorbescherming worden aanbevolen. Het gedurende het werken vrijkomende stof is doorgaans schadelijk voor de gezondheid en mag niet met het lichaam in aanraking komen. Draag derhalve een geschikt stofbeschermingsmasker. Het is niet toegestaan, materialen te bewerken waarvan een gezondheidsgevaar uitgaat (bijv. asbest).

Schakel het apparaat onmiddellijk uit als het gereedschap blokkeert! Schakel het apparaat uit in zolang het gereedschap geblokkeerd is; dit zou een terugslag met een hoog reactiemoment kunnen veroorzaken. Achterhaal en verhelp de oorzaak voor de blokkering van het gereedschap met inachtneming van de veiligheidsinstructies.

- Mogelijke oorzaken voor de blokkering:
- kantelen in het te bewerken werkstuk
 - doorbreken van het te bewerken materiaal
 - overbelasting van het elektrische gereedschap

- Grijp niet in de lopende machine. Het gereedschap kan heet worden tijdens het gebruik. **WAARSCHUWING!** Gevaar voor verbranding
- bij het vervangen van het gereedschap
 - bij het neerleggen van het apparaat

Spanen of splinters mogen bij draaiende machine niet worden verwijderd.

Bij het werken in wanden, plafonds of vloeren oppassen voor elektriciteitsdraden, gas- of waterleidingen.

Borg uw werkstuk met behulp van een spaninrichting. Niet geborgde werkstukken kunnen ernstig letsel en grote schade veroorzaken.

Bescherminrichting van de machine beslist gebruiken. Gescheurde zaagbladen of welke van vorm veranderd zijn, mogen niet gebruikt worden.

Insteekzagen is alleen in zachte materialen (hout, lichte bouwstoffen voor wanden) mogelijk. Bij hardere materialen (metalen) moet een boring overeenkomstig de grootte van het zaagblad aangebracht worden.

Geleidebeugel bij het zagen altijd tegen het werkstuk leggen. Verbruikte akku's niet in het vuur of bij het huisvuil werpen. Milwaukee biedt namelijk een milieuvriendelijke recyclingmethode voor uw oude akku's. Wisselakku's niet bij metalen voorwerpen bewaren (kortsluitingsgevaar !) . Wisselakku's van het Akku-Systeem C18 alléén met laadapparaten van het Akku-Systeem C18 laden. Geen akku's van andere systemen laden.

In de wisselakku-opnameschacht van het laadapparaat mogen géén metaaldeeltjes komen (kortsluitingsgevaar !) . Wisselakku's en laadapparaten niet openen en alleen in droge ruimtes opslaan. Tegen vocht beschermen. Onder extreme belasting of extreme temperaturen kan uit de accu accu-vloeistof lopen. Na contact met accu-vloeistof direct afwassen met water en zeep. Bij oogcontact direct minstens 10 minuten grondig spoelen en onmiddellijk een arts raadplegen.

EC - VERKLARING VAN OVEREENSTEMMING

Wij verklaren in uitsluitende verantwoording dat het onder 'Technische gegevens' beschreven product overeenstemt met alle relevante voorschriften van de richtlijn 2011/65/EU (RoHS), 2014/30/EU, 2006/42/EG en de volgende geharmoniseerde normatieve documenten:
 EN 60745-1:2009 + A11:2010
 EN 60745-2-11:2010
 EN 55014-1:2006 + A1:2009 + A2:2011
 EN 55014-2:1997 + A1:2001 + A2:2008
 EN 50581:2012

Winnenden, 2016-03-29

Alexander Krug

Alexander Krug
 Managing Director



Gemachtigd voor samenstelling van de technische documenten
 Techtronic Industries GmbH
 Max-Eyth-Straße 10
 71364 Winnenden
 Germany

VOORGESCHREVEN GEBRUIK VAN HET SYSTEEM

De reciprozaag zaagt hout, kunststof en metaal. Zagen van bochten, insteekzagen, en recht afzagen is mogelijk. Dit apparaat uitsluitend gebruiken voor normaal gebruik, zoals aangegeven.

AKKU

Nieuwe wisselakku's bereiken hun volle capaciteit na 4-5 laad-/ontlaadcycli. Langere tijd niet toegepaste wisselakku's vóór gebruik altijd naladen. Een temperatuur boven de 50°C vermindert de capaciteit van de accu. Langdurige verwarming door zon of hitte vermijden. De aansluitcontacten aan het laadapparaat en de accu schoonhouden. Voor een zo lang mogelijke levensduur van de accu's dienen deze na het opladen uit het laadtoestel te worden verwijderd. Bij een langere opslag van de accu dan 30 dagen: accu bij ca. 27 °C droog bewaren. accu bij ca. 30 % - 50 % van de laadtoestand bewaren. accu om de 6 maanden opnieuw opladen.

OVERBELASTINGSBEVEILIGING VAN DE ACCU

Bij overbelasting van de accu door een zeer hoog stroomverbruik, bijv. extreem hoge draaimomenten, klemmen, plotseling stoppen of kortsluiting, vibreert het elektrische gereedschap gedurende 2 seconden en schakelt dan automatisch uit. Om het gereedschap weer in te schakelen, moet u de

drukschakelaar loslaten en vervolgens weer inschakelen. Onder extreme belastingen wordt de accu te heet. In dit geval schakelt hij uit. Steek de accu in het laadtoestel om hem weer op te laden en te activeren. Voor een optimale levensduur moeten de accu's na het gebruik volledig opgeladen worden.

ONDERHOUD

Altijd de luchtspleten van de machine schoonhouden. Alleen Milwaukee toebehoren en onderdelen gebruiken. Onderdelen welke niet vermeld worden, kunnen het beste door de Milwaukee servicedienst vervisseld worden (zie Serviceadressen). Onder vermelding van het nummer op het machineplaatje is desgewenst een doorsnedetekening van de machine verkrijgbaar bij: Techtronic Industries GmbH, Max-Eyth-Straße 10, 71364 Winnenden, Germany.

SYMBOLEN



OPGELET! WAARSCHUWING! GEVAAR!



Voor alle werkzaamheden aan de machine de accu verwijderen.



Graag instructies zorgvuldig doorlezen vóórdat u de machine in gebruik neemt.



Toebehoren - Wordt niet meegeleverd. Is apart leverbaar. Zie hiervoor het toebehorenprogramma.



Elektrische apparaten mogen niet via het huisafval worden afgevoerd. Elektrische en elektronische apparaten moeten gescheiden worden verzameld en voor een milieuvriendelijke afvoer worden afgegeven bij een recyclingbedrijf. Informeer bij uw gemeente of bij uw vakhandelaar naar recyclingbedrijven en inzamelpunten.



CE-keurmerk

EurAsian-symbool van overeenstemming.

TEKNISKE DATA AKKU BAJONETSAV M18 BSX

Produktionsnummer	4526 70 02...
.....	4472 76 02...
.....	...00001-999999

Skæredybde max. i:	
Træ	300 mm
Stål	20 mm
Aluminium	25 mm
Uædle metaller	25 mm
Metalrør	150 mm
Udsiftningsbatteriets spænding	18 V
Slagantal, ubelastet	0-3000 min ⁻¹
Løftehøjde	28,6 mm
Vægt svarer til EPTA-procedure 01/2003	4,0 kg

Støjinformation

Måleværdier beregnes iht. EN 60 745.

Værktøjets A-vurderede støjniveau er typisk:

Lydtrykniveau (Usikkerhed K=3dB(A))	82,9 dB (A)
Lydeffekt niveau (Usikkerhed K=3dB(A))	93,9 dB (A)

Brug høreværn!

Vibrationsinformation

Samlede vibrationsværdier (værdisum for tre retninger) beregnet iht. EN 60745.

Savning af træ	
Vibrationseksponering a _h	18,0 m/s ²
Usikkerhed K=	1,5 m/s ²

Savning af træbjælker	
Vibrationseksponering a _h	15,2 m/s ²
Usikkerhed K=	1,5 m/s ²

ADVARSEL

Svingningsniveauet, som er angivet i disse anvisninger, er målt i henhold til standardiseret måleprocedure ifølge EN 60745 og kan anvendes til indbyrdes sammenligning mellem el-værktøjer. Svingningsniveauet er ligeledes egnet som foreløbigt skøn over svingningsbelastningen.

Det angivne svingningsniveau er baseret på el-værktøjets primære anvendelsesformål. Hvis el-værktøjet benyttes til andre formål, med andet indsatsværktøj eller ikke vedligeholdes tilstrækkeligt, kan svingningsniveauet afvige. Dette kan øge svingningsbelastningen over den samlede arbejdsperiode betydeligt.

For en nøjagtig vurdering af svingningsbelastningen skal der også tages højde for de tidsperioder, hvor apparatet er slukket, eller hvor apparatet kører, men uden at være i anvendelse. Dette kan reducere svingningsbelastningen over den samlede arbejdsperiode betydeligt.

Supplerende sikkerhedsforanstaltninger til beskyttelse af brugeren mod påvirkninger fra svingninger skal iværksættes, f.eks.: Vedligeholdelse af el-værktøj og indsatsværktøj, varmholdelse af hænder, organisering af arbejdsprocesser.

⚠ ADVARSEL! Læs alle sikkerhedsinformationer og instruktioner. I tilfælde af manglende overholdelse af advarselshenvisningerne og instrukserne er der risiko for elektrisk stød, brand og/eller alvorlige kvæstelser.
Opbevar alle advarselshenvisninger og instrukser til senere brug.

⚠ SIKKERHEDSINSTRUKTIONER FOR FREM- OG TILBAGEGÅENDE SAVE

Bær høreværn. Støjpåvirkning kan bevirke tab af hørelse.

Hold maskinen fast i de isolerede gribeplader, når du udfører arbejde, hvor der er risiko for, at skæreværktøjet kan ramme skjulte strømledninger. Kommer skæreværktøjet i kontakt med en strømførende ledning, kan maskinens metaldele komme under spænding og give elektrisk stød.

YDERLIGERE SIKKERHEDS- OG ARBEJDSINFORMATIONER

Brug beskyttelsesudstyr. Bær altid sikkerhedsbriller, når du arbejder med maskinen. Vi anbefaler desuden brug af personlig beskyttelsesudrustning, såsom støvmaske, sikkerhedshandsker, fast og skridsikkert skotøj, hjelm og høreværn.

Støv, som opstår under arbejdet, er ofte sundhedsfarligt og bør ikke trænge ind i kroppen. Benyt egnet åndedrætsværn.

Der må ikke bearbejdes nogen materialer, der kan udgøre en sundhedsrisiko (f.eks. asbest).

Sluk straks for maskinen, hvis indsatsværktøjet er blokeret! Tænd ikke for maskinen igen, så længe indsatsværktøjet er blokeret; dette kan føre til et tilbageslag med højt

reaktionsmoment. Find frem til og afhjælp årsagen til indsatsværktøjets blokering under hensyntagen til sikkerhedsinstruktionerne.

Mulige årsager hertil kan være:

- at det sidder i klemme i emnet der bearbejdes
- at det har brækket materialet der bearbejdes
- at el-værktøjet er overbelastet

Grib ikke ind i maskinen, når den kører.

Indsatsværktøjet kan blive varmt under brugen.

ADVARSEL! Fare for forbrændinger

- ved værktøjsskift
- når man lægger maskinen fra sig

Spåner eller splinter må ikke fjernes, medens maskinen kører.

Ved arbejdsboring i væg, loft eller gulv skal man passe på elektriske kabler, gas- og vandledninger.

Sørg for at sikre dit emne med en spændeanordning. Ikke sikrede emner kan forårsage alvorlige kvæstelser og beskadigelser.

Maskinens sikkerhedsindretning bør ubetinget benyttes.

Ridsede savklinger eller sådanne, som har ændret form, må ikke bruges.

Dyksavning er kun muligt i blødere materialer (træ, lette bygningmaterialer til vægge, ved hårdere materialer (metaller) skal der anbringes et hul, hvis størrelse svarer til savklingen. Ved savning skal styrebøjlen altid lægges til arbejdsstykket.

Opbrugte udsiftningsbatterier må ikke brændes eller kasseres sammen med alm. husholdningsaffald. Milwaukee har en miljørigtig bortskaffelse af gamle udsiftningsbatterier, henvend Dem til Deres forhandler.

Opbevar ikke udsiftningsbatterier sammen med metalgenstande af fare for kortslutning.

Brug kun C18 ladeapparater for opladning af System C18 batterier.

Metaldele o.lign må ikke komme i berøring med rummet beregnet for udsiftningsbatteriet (kortslutningsfare).

Udsiftningsbatterier og opladere må ikke åbnes og skal opbevares i tørre rum. Beskyt dem mod fugtighed.

I tilfælde af en ekstrem belastning eller ekstrem temperatur kan der flyde batterivæske ud af et beskadiget batteri. Hvis De kommer i berøring med batterivæsken, skal den vaskes godt og grundigt af med vand og sæbe. I tilfælde af øjenkontakt, skal man mindst skylle øjnene godt og grundigt igennem i 10 minutter og omgående opsøge en læge.

CE-KONFORMITETSERKLÆRING

Vi erklærer som eneansvarlig, at det under "Tekniske data" beskrevne produkt stemmer overens med alle relevante forskrifter, der følger af direktiv 2011/65/EU (RoHS), 2014/30/EU, 2006/42/EF samt af følgende harmoniserede normative dokumenter:

EN 60745-1:2009 + A11:2010
EN 60745-2-11:2010
EN 55014-1:2006 + A1:2009 + A2:2011
EN 55014-2:1997 + A1:2001 + A2:2008
EN 50581:2012

Winnenden, 2016-03-29

Alexander Krug
Managing Director



Autoriseret til at udarbejde de tekniske dokumenter.

Techtronic Industries GmbH
Max-Eyth-Straße 10
71364 Winnenden
Germany

TILTÆNKT FORMÅL

Bajonetsaven kan anvendes til træ, plast og metal.

Bajonetsaven afskærer plant til overfladen, i kurver, indvendig udskæring og i rør.

Produktet må ikke anvendes på anden måde og til andre formål end foreskrevet.

BATTERI

Nye udsiftningsbatterier opnår deres fulde kapacitet efter 4-5 oplade- og afladecykler. Udsiftningsbatterier, der ikke har været brugt i længere tid, efterlades inden brug.

Ved temperaturer over 50°C formindskes batteriets effekt. Undgå direkte sollys og stærk varme.

Tilslutningskontakterne på oplader og udsiftningsbatterier skal holdes rene.

For at sikre en så lang levetid som muligt skal batterierne tages ud af ladeaggregatet efter opladning.

Skal batterierne opbevares længere end 30 dage:

Temperatur ca. 27°C i tørre omgivelser.

Opbevares ved ca. 30%-50% af ladetilstanden.

Batteri skal genoplades hver 6. måned.

OVERBELASTNINGSSIKRING FOR BATTERI

Overbelastes batteriet på grund af meget højt strømforbrug, f. eks. som følge af ekstremt høje drejningsmomenter, fastklemning, pludseligt stop eller kortslutning, brummer el-værktøjet i 2 sekunder og slukker så af sig selv. For at tænde igen slipper du trykknappen og tænder

el-værktøjet på ny. Under ekstreme belastninger kan batteriet blive meget varmt. I så fald kobler batteriet fra.

Sæt batteriet i ladeadapteren for at genoplade det og aktivere det.

For at opnå en optimal levetid skal de genopladelige batterier oplades fuldt efter brug.

VEDLIGEHOLDELSE

Hold altid maskinens ventilationsåbninger rene.

Brug kun Milwaukee tilbehør og reservedele. Lad de komponenter, hvis udsiftning ikke er blevet beskrevet, udsifte hos Atlas Copco service (se kundeserviceadresser).

Ved opgivelse af type nr. der er angivet på maskinens effektskilt, kan de rekvirere en reservedelstegning, ved henvendelse til: Techtronic Industries GmbH, Max-Eyth-Straße 10, 71364 Winnenden, Germany.

SYMBOLER



VIGTIGT! ADVARSEL! FARE!



Ved arbejde inden i maskinen, bør batteriet tages ud.



Læs brugsanvisningen nøje før ibrugtagning.



Tilbehør - Ikke inkluderet i leveringsomfanget, køb købes som tilbehør.



Elektrisk udstyr må ikke bortskaffes sammen med det almindelige husholdningsaffald. Elektrisk og elektronisk udstyr skal indsamles særskilt og afleveres hos en genbrugsvirksomhed til en miljømæssig forsvarlig bortskaffelse.

Spørg de lokale myndigheder eller din forhandler om genbrugsstationer og indsamlingssteder til sådant affald.



CE-mærke

EurAsian overensstemmelsesmærke.

TEKNISKE DATA BATTERIDREVET SABELSAG M18 BSX

Produksjonsnummer.....	4526 70 02...
.....	4472 76 02...
.....	...00001-999999

Kuttedybde maks. in:	
Mykt treverk	300 mm
Stål	20 mm
Aluminium.....	25 mm
Uedelt metall.....	25 mm
Metallrør	150 mm
Spenning vekselbatteri	18 V
Tomgangssløttall	0-3000 min ⁻¹
Slaghøyde	28,6 mm
Vekt i henhold til EPTA-Prosedyren 01/2003	4,0 kg

Støyinformasjon
Måleverdier fastslått i samsvar med EN 60 745.
Det typiske A-bedømte støynivået for maskinen er:
Lydtryknivå (Usikkerhet K=3dB(A)).....82,9 dB (A)
Lydeffektnivå (Usikkerhet K=3dB(A)).....93,9 dB (A)

Bruk hørselsvern!
Vibrasjonsinformasjoner
Totale svingningsverdier (vektorsum fra tre retninger) beregnet jf. EN 60745.
Saging av tre
Svingningsemisjonsverdi a_h.....18,0 m/s²
Usikkerhet K=.....1,5 m/s²
Saging av trebjelker
Svingningsemisjonsverdi a_h.....15,2 m/s²
Usikkerhet K=.....1,5 m/s²

ADVARSEL
Svingningsnivået som er angitt i denne instruksjonen er målt i overensstemmelse med målemetoden normert i direktiv EN 60745 og kan brukes til å sammenligne elektromaskiner med hverandre. Den egner seg også for en foreløbig vurdering av svingningsbelastningen.
Det angitte svingningsnivået representerer de hovedsaklige bruk av elektroverktøyet. Men anvendes elektroverktøyet for andre bruk med avvikende utskiftbare verktøy eller vedlikeholdet er utilstrekkelig, kan svingningsnivået være avvikende.
Dette kan forhøye svingningsbelastning betydelig over hele arbeidsperioden. For en nøyaktig vurdering av svingningsbelastningen må også det tas hensyn til tiden apparatet er avslått eller står på, men ikke er i bruk. Dette kan redusere svingningsbelastningen betydelig over hele arbeidsperioden.
Innfør også ekstra sikkerhetstiltak for å beskytte bruker mot utvirkingen av svingningene. Disse kan f.eks. være: vedlikehold av elektroverktøyet og det utskiftbare verktøyet, holde hendene varme, organisasjon av arbeidsforløpet.

⚠ OBS! Les alle sikkerhetsinstruksjoner og bruksanvisninger. Feil ved overholdelsen av advarslene og nedenstående anvisninger kan medføre elektriske støt, brann og/eller alvorlige skader.
Ta godt vare på alle advarslene og informasjonene.


⚠ SIKKERHETS INSTRUKSER FOR SABELSAGER
Bruk hørselsvern. Støy kan føre til tap av hørselen
Hold apparatet i de isolerte holdeflatene, når det arbeides på steder hvor elektroverktøyet kan treffe skjulte strømledninger. Kontakt med en ledning som er under spenning, kan også sette metalldeleler til apparatet under spenning og føre til et elektrisk slag.

YTTERLIGE SIKKERHETS- OG ARBEIDSINSTRUKSJONER
Bruk vernebekledning. Ta alltid på vernebrille ved bruk av maskinen. Vernebekledning så vel som støvmaske, vernehansker, fast og sklisikkert skotøy, hjem og hørselsvern er anbefalt.
Støvet som oppstår ved arbeidet er ofte helsefarlig og skal ikke komme i kontakt med kroppen. Bruk derfor vernemaske som er egnet for støv.
Materialer som er helsefarlig skal ikke bearbeides (f.eks. asbest)
Slå av apparatet med en gang dersom det isatte verktøyet er blokkert! Ikke slå apparatet på igjen så lenge det isatte verktøyet er blokkert; her kan det oppstå et tilbakeslag med

høyt reaksjonsmoment. Finn ut hvorfor det isatte verktøyet blokkerer og fjern årsaken til dette. Ta herved hensyn til sikkerhetsinstruksene.
Mulige årsaker til dette kan være:
• det har forkantet seg i arbeidsemnet som bearbeides
• det har brekt igjennom materialet som bearbeides
• elektroverktøyet er overbelastet
Ikke grip inn i maskinen når den står på og går.
Isatt verktøy kan i bruk bli veldig varmt.
ADVARSEL! Fare for forbrønning
• ved skifting av verktøy
• når apparatet legges ned
Spon eller fliser må ikke fjernes mens maskinen er i gang.
Pass på kabler, gass- og vannledninger når du arbeider i vegger, tak eller gulv.
Klem fast arbeidsemnet med en spenninnetring. Ikke sikrede arbeidsemner kan ha alvorlige helseskader og skader av material til følge.
Bruk alltid maskinens beskyttelsesinnetringer.
Sagblad som har sprekker eller som har endret form må ikke brukes!
Dykksaging er kun mulig i bløtere materialer (treverk, lettere byggematerialer for vegger), for hardere materialer (metaller) må det brukes et sagblad med tilsvarende stor boring.
Plasser styrebøylen alltid mot emnet når du sager.
Ikke kast brukte vekselbatterier i varmen eller husholdningsavfallet. Milwaukee tilbyr en miljøriktig deponering av gamle vekselbatterier; vennligst spør din fagforhandler.

Ikke oppbevar vekselbatterier sammen med metallgjenstander (kortslutningsfare).
Vekselbatterier av systemet C18 skal kun lades med lader av systemet C18. Ikke lad opp batterier fra andre systemer.
Metalldeleler må ikke komme inn i innskryvningssjakten for vekselbatterier på ladere (kortslutningsfare).
Ikke åpne vekselbatterier og ladere, de skal oppbevares i tørre rom. Beskyttes mot fuktighet.
Under ekstreme belastninger og ekstreme temperaturer kan det lekke ut batterivæske fra utskiftbare batterier. Ved berøring med batterivæske, vask umiddelbart med såpe og vann. Ved kontakt med øynene må øynene skylles grundig i rennende vann i minst 10 minutter. Oppsøk lege umiddelbart.

CE-SAMSVARERKLÆRING
Vi erklærer i alene ansvar at produktet beskrevet i "Teknisk data" overensstemmer med alle relevante forskrifter til Eu direktiv 2011/65/EU (RoHS), 2014/30/EU, 2006/42/EF og de følgende harmoniserte normative dokumentene.
EN 60745-1:2009 + A11:2010
EN 60745-2-11:2010
EN 55014-1:2006 + A1:2009 + A2:2011
EN 55014-2:1997 + A1:2001 + A2:2008
EN 50581:2012

Winnenden, 2016-03-29

Alexander Krug
Managing Director
Autorisert til å utarbeide den tekniske dokumentasjonen
Techtronic Industries GmbH
Max-Eyth-Straße 10
71364 Winnenden
Germany

FORMÅLMESSIG BRUK
Bajonettsagen sager treverk, plast og metall. Den skjærer rett, kurver og innvendige utsnitt. Den skjærer rør og skiller i flukt med flater.
Dette apparatet må kun brukes til de oppgitte formål.

BATTERIER
Nye vekselbatterier når sin fulle kapasitet etter 4-5 lade- og utladesyklus. Vekselbatterier som ikke er brukt over lengre tid skal etterlades før bruk.
En temperatur over 50°C reduserer vekselbatteriets kapasitet. Unngå oppvarming i sol eller ved varmeovner (fyring) i lengre tid.
Hold tilkoplingskontaktene på lader og vekselbatteri rene.
For å sikre en lengst mulig brukstid av batteriene skal disse etter oppladning taes ut av laderen.
Ved lagring av batteriene lengre enn 30 dager:
Lagre batteriet tørt ved ca. 27°C.
Lagre batteriet ved en oppladningstilstand på ca. 30%-50%.
Lade opp batteriet igjen etter 6 måneder.


OVERBELASTNINGSVERN FOR OPPLADBARE BATTERIER
Ved overbelastning av det oppladbare batteriet p.g.a. svært høy strømförbruk, for eksempel ved ekstrem høye dreiemoment, fastklemning, plusselig stopp eller kortslutning, brummer elektroverktøyet 2 sekunder og slår seg så automatisk av.
For å slå det på igjen, må man slippe trykkbryteren og så slå på igjen.
Ved ekstreme belastninger kan det oppladbare batteriet bli sterkt opphetet. I slike tilfeller kobler batteriet seg ut.
Sett batteriet da i laderen for å få det oppladet og aktivert igjen.
For optimal holdbarhet må batteriene lades opp helt etter bruk.

VEDLIKEHOLD


Hold alltid luftenåpningene på maskinen rene.
Bruk kun Milwaukee tilbehør og reservedeler. Komponenter der utskifting ikke er beskrevet skal skiftes ut hos Milwaukee kundeservice (se brosjyre garanti/kundeserviceadresser).
Ved behov kan du be om en eksplosjonstegning av apparatet hos din kundeservice eller direkte hos Techtronic Industries GmbH, Max-Eyth-Straße 10, 71364 Winnenden, Germany. Oppgi maskintype og det nummeret på typeskiltet.


SYMBOLER



 **OBS! ADVARSEL! FARE!**

 Ta ut vekselbatteriet før du arbeider på maskinen

 Les nøye gjennom bruksanvisningen før maskinen tas i bruk.

 Tilbehør - inngår ikke i leveransen, anbefalt komplettering fra tilbehørsprogrammet.

 Elektriske apparat skal ikke kastes sammen med vanlig husholdningsavfall. Elektriske og elektroniske apparat skal samles separat og leveres til miljøvennlig deponering til en avfall bedrift. Informer deg hos myndighetene på stedet eller hos din fagforhandler hvor det finnes recycling bedrifter oppsamlingssteder.

 CE-tegn
 EurAsian Konformitetstegn.

TEKNISKA DATA	BATTERIDRIVEN TIGERSÅG	M18 BSX
Produktionsnummer	4526 70 02...	
.....	4472 76 02...	
.....	...00001-999999	
Sågdjup max i: Mjukt trä	300 mm	
Stål	20 mm	
Aluminium	25 mm	
Mjukt metall	25 mm	
Metallrör	150 mm	
Batterispänning	18 V	
Tomgångsslagtal	0-3000 min ⁻¹	
Slaglängd	28,6 mm	
Vikt enligt EPTA 01/2003	4,0 kg	

Bullerinformation

Mätvärdena har tagits fram baserade på EN 60 745.

A-värdet av maskinens ljudnivå utgörs:

Ljudtrycksnivå (Onoggrannhet K=3dB(A))	82,9 dB (A)
Ljudeffektsnivå (Onoggrannhet K=3dB(A))	93,9 dB (A)

Använd hörselskydd!

Vibrationsinformation

Totala vibrationsvärden (vektorsumma ur tre riktningar) framtaget enligt EN 60745.

Sågning i trä Vibrationsemissionsvärde a _w	18,0 m/s ²
Onoggrannhet K=	1,5 m/s ²
Såga träbjälkar Vibrationsemissionsvärde a _w	15,2 m/s ²
Onoggrannhet K=	1,5 m/s ²

VARNING

Den i de här anvisningarna angivna vibrationsnivån har uppmätts enligt ett i EN 60745 normerat mätförfarande och kan användas vid jämförelse mellan olika elverktyg. Nivån är även lämplig att använda vid en preliminär bedömning av vibrationsbelastningen.

Den angivna vibrationsnivån representerar den huvudsakliga användningen av det aktuella elverktyget. Men om elverktyget ska användas i andra användningsområden, tillsammans med avvikande insatsverktyg eller efter otillräckligt underhåll, kan vibrationsnivån skilja sig. Det kan öka vibrationsbelastningen betydligt under hela arbetstiden.

För att få en exaktare bedömning av vibrationsbelastningen ska även den tid beaktas, under vilken elverktyget är avstängt eller är påslaget, utan att det verkligen används. Det kan reducera vibrationsbelastningen betydligt under hela arbetstiden.

Lägg som skydd för användaren fast extra säkerhetsåtgärder mot vibrationernas verkan, som till exempel: underhåll av elverktyg och insatsverktyg, varmhållning av händer och organisering av arbetsförlopp.

⚠️ VARNING! Läs all säkerhetsinformation och alla anvisningar. Fel som uppstår till följd av att anvisningarna nedan inte följts kan orsaka elstöt, brand och/eller allvarliga kroppsskador.

Förvara alla varningar och anvisningar för framtida bruk.

⚠️ SÄKERHETSANVISNINGAR FÖR TIGERSÅGAR

Bär hörselskydd. Bullerbelastning kan orsaka hörselskador.

Håll fast apparaten med hjälp av de isolerade greppytorna när du utför arbeten där arbetsverktyget skulle kunna träffa på dolda elledningar. Om man kommer i kontakt med en spänningsförande ledning, så kan även de delar på verktyget som är av metall bli spänningsförande och leda till att man får en elektrisk stöt.

ÖVRIGA SÄKERHETS- OCH ANVÄNDNINGSPÅTÄLLNINGAR

Använd skyddsutrustning. Använd alltid skyddsglasögon när du använder maskinen. Som skyddsutrustning rekommenderar vi t ex en dammskyddsmask, skyddshandskar, stabila och halksäkra skor, hjälm och hörselskydd.

Det damm som bildas under arbetets gång är ofta hälsofarligt och det ska inte komma in i kroppen. Bär därför lämplig skyddsmask.

Det är inte tillåtet att bearbeta material som kan vara hälsovärdigt (t.ex. asbest).

Stäng av maskinen omedelbart om ett verktyg som används sitter fast! Sätt sedan inte på maskinen igen så länge som verktyget som används fortfarande sitter fast; risk för

okontrollerade slag med högt reaktionsmoment. Ta reda på orsaken varför verktyget fastnade och åtgärda orsaken med hänsyn till säkerhetsanvisningarna.

Möjliga orsaker kan vara:

- Verktyget sitter snett i arbetsstycket
- Verktyget går igenom materialet som bearbetas
- Elverktyget är överbelastat

Gå aldrig med händerna in i en maskin som är igång.

Verktyget som används kan bli mycket varmt under användningen.

VARNING! Risk för brännskador

- vid verktygsbyte
- när man lägger ifrån sig maskinen

Avlägsna aldrig spån eller flisor när maskinen är igång.

Vid arbetenborring i vägg, tak eller golv, var alltid observant på befintliga el-, gas- eller vattenledningar.

Säkra arbetsstycket med en fastspänningsanordning. Arbetsstycken som inte är ordentligt fastspända kan leda till allvarlig kroppsskada eller annan skada.

Använd alltid maskinens skyddsanordningar.

Spruckna sågklingor eller sådana som förändrat form får ej användas!

Är endast möjlig i mjuka material (trä m.m.) vid hårdare material (metall) rekommenderas förborring.

Vid sågning skall alltid styrbygeln ligga an mot arbetsstycket.

Kasta inte förbrukade batterier. Lämna dem till Milwaukee Tools för återvinning.

Förvara ej batteriet ihop med metallföremål, kortslutning kan uppstå.

System C18 batterier laddas endast i System C18 laddare. Ladda inte batterier från andra system.

Se upp så att inga metallföremål hamnar i laddarens batterischakt, kortslutning kan uppstå.

Batterier lagras torr och skyddas för fukt.

Under extrem belastning eller extrem temperatur kan **batterivätska tränga ut ur skadade utbytesbatterier. Vid beröring med batterivätska tvätta genast av med vatten och tvål. Vid ögonkontakt spola genast i minst 10 minuter och kontakta genast läkare.**

CE-FÖRSÄKRAN

Vi intygar och ansvarar för att den produkt som beskrivs under "Tekniska data" överensstämmer med alla relevanta bestämmelser i direktiv 2011/65/EU (RoHS), 2014/30/EU, 2006/42/EG och följande harmoniserade normerande dokument:

EN 60745-1:2009 + A11:2010
EN 60745-2-11:2010
EN 55014-1:2006 + A1:2009 + A2:2011
EN 55014-2:1997 + A1:2001 + A2:2008
EN 50581:2012

Winnenden, 2016-03-29

Alexander Krug
Managing Director



Befullmäktigad att sammanställa teknisk dokumentation.

Techtronic Industries GmbH
Max-Eyth-Straße 10
71364 Winnenden
Germany

ANVÄND MASKINEN ENLIGT ANVISNINGARNA

Sabelsåg sågar trä, plast och metall. Den skär rakt, sågar kurvor och kapa plant.

Maskinen får endast användas för angiven tillämpning.

BATTERIER

Nya batterier uppnår max effekt efter 4-5 laddningscykler. Batteri som ej använts på länge måste laddas före nytt bruk.

En temperatur över 50°C reducerar batteriets effekt. Undvik längre uppvärmning tex i solen eller nära ett element.

Se till att anslutningskontaktarna i laddaren och på batteriet är rena.

För att få en så lång livslängd som möjligt bör laddningsbara batterier avlägsnas från laddaren när de är laddade.

Om laddningsbara batterier lagras längre än 30 dagar:

Lagra batteriet torr och vid ca 27°C.

Lagra batteriet vid ca 30%-50% av laddningskapaciteten.

Ladda batterierna på nytt var 6:e månad.

BATTERIÖVERBELASTNINGSSKYDD

Om det uppladdningsbara batteriet överbelastas på grund av mycket hög strömförbrukning, till exempel vid extremt höga vridmoment, fastklämning, plötsligt stopp eller kortslutning, brummar elverktyget i 2 sekunder och stängs sedan av automatiskt.

Släpp därefter först upp tryckknappen och slå sedan på elverktyget igen, om du vill fortsätta bearbetningen.

Vid extrem belastning kan batteriet bli väldigt varmt. I ett sådant fall stängs batteriet av automatiskt.

Sätt då batteriet i laddaren för att ladda upp och aktivera det igen.

För att batterierna ska få lång livslängd ska de laddas fulla efter användning.

SKÖTSEL

Se till att motorhöljets luftslitsar är rena.

Använd endast Milwaukee tillbehör och reservdelar. Reservdelar vars utbyte ej beskrivs bytes bäst av Milwaukee auktoriserad serviceverkstad (se broschyr Garanti/Kundtjänstadresser).

Vid behov av sprängskiss, kan en sådan, genom att uppge maskinens art. nr. (som finns på typskylten) erhållas från: Techtronic Industries GmbH, Max-Eyth-Straße 10, 71364 Winnenden, Germany.

SYMBOLER



OBSERVERA! VARNING! FARA!



Drag ur batteripaket innan arbete utföres på maskinen.



Läs instruktionen noga innan du startar maskinen.



Tillbehör - Ingår ej i leveransomfånget, erhålles som tillbehör.



Elektriska maskiner och elverktyg som kasseras får inte slängas tillsammans med de vanliga hushållsoporna.

Elektriska maskiner och verktyg samt elektronisk utrustning som kasseras ska samlas separat och lämnas till en avfallsstation för miljövänlig avfallshantering. Kontakta den lokala myndigheten respektive kommunen eller fråga återförsäljare var det finns speciella avfallsstationer för elskrot.



CE-symbol

EurAsian överensstämmelsesymbol.

TEKNISET ARVOT	AKKUPUUKKOSAHA	M18 BSX
Tuotantnumero	4526 70 02...	
.....	4472 76 02...	
.....	...00001-999999	
Leikkaussyvytydet:		
Pehmeä puu	300 mm	
Teräkseen	20 mm	
Alumiini	25 mm	
Muu kuin rautametalli	25 mm	
Metalliputkien	150 mm	
Jännite vaihtoakku	18 V	
Kuormittamaton iskukulku	0-3000 min ⁻¹	
Iskun pituus	28,6 mm	
Paino EPTA-menetelyn 01/2003 mukaan	4,0 kg	

Melunpäästötiedot

Mitta-arvot määritetty EN 60 745 mukaan.
Koneen tyypillinen A-luokitettu melutaso:
Melutaso (Epävarmuus K=3dB(A)).....82,9 dB (A)
Äänenvoimakkuus (Epävarmuus K=3dB(A)).....93,9 dB (A)

Käytä kuulosuojaimia!

Tärinätiedot

Värähtelyn yhteisarvot (kolmen suunnan vektorisummitattuna EN 60745 mukaan.
Puun sahaaminen
Värähtelyemissioarvo a_w.....18,0 m/s²
Epävarmuus K=.....1,5 m/s²

Puupalkkien sahaaminen
Värähtelyemissioarvo a_w.....15,2 m/s²
Epävarmuus K=.....1,5 m/s²

VAROITUS

Näissä ohjeissa mainittu värähtelytaso on mitattu EN 60745 -standardin mukaisella mittausmenetelmällä ja sitä voidaan käyttää sähkötyökalujen vertaamiseen. Sitä voidaan käyttää myös värähtelyrasituksen väliaikaiseen arviointiin.
Mainittu värähtelytaso edustaa sähkötyökalun pääasiallista käyttöä. Jos sähkötyökalua kuitenkin käytetään muihin tehtäviin, poikkeavin työkaluin tai riittämättömästi huoltaen, värähtelytaso voi olla erilainen. Se voi korottaa värähtelyrasitusta koko työajan osalta.
Tarkan värähtelyrasituksen toteamiseen tulee ottaa huomioon aika, jona laite on kytketty pois tai on kylläkin päällä, mutta ei käytössä. Se voi pienentää värähtelyrasitusta koko työajan osalta.
Määrittele lisäturvatoimenpiteitä käyttäjän suojaamiseksi värinöiden vaikutukselta, kuten esimerkiksi: sähkötyökalujen ja käyttötyökalujen huolto, käsien lämpimän pitäminen, työvaiheiden organisaatio.

VAROITUS! Lue kaikki turvallisuusmääräykset ja ohjeet. Turvallisuusohjeiden noudattamisen laiminlyönti saattaa johtaa sähköiskuun, tulipaloon ja/tai vakavaan loukkaantumiseen.
Säilytä kaikki turvallisuus- ja muut ohjeet tulevaisuutta varten.

PUUKKOSAHOJEN TURVALLISUUSMÄÄRÄYKSET

Käytä korvasuojia. Altistuminen melulle voi vahingoittaa kuuloa.
Pitele laitetta vain eristetyistä tarttumapinnoista, kun suoritat sellaisia töitä, joissa leikkaustyökalu saattaa osua piilossa oleviin sähköjohtoihin. Leikkaustyökalun yhteys jännitteelliseen johtoon saattaa tehdä laitteen metalliset osat jännitteellisiksi ja aiheuttaa sähköiskun.

TÄYDENTÄVIÄ TURVALLISUUSMÄÄRÄYKSIÄ JA TYÖSKENTELYOHJEITA

Käytä suojarusteita. Käytä aina suojalaseja käyttäessäsi konetta. Suosittelemme suojarusteiden käyttöä, näihin kuuluvat pölysuojanaamarit, työkasineet, tukevat, luistamattomat jalkineet, kypärä ja kuulosuojukset.
Koneen käytöstä aiheutuva pöly ja jäte voi olla haitallista terveydelle eikä sen vuoksi tulisi päästä kosketukseen ihon kanssa. Koneella työskennellessä on käytettävä sopivaa suojaainta.
Terveydellisiä vaaroja aiheuttavien materiaalien (esim. asbestin) työstäminen on kielletty.

Jos käytetty työkalu juuttuu kiinni, sammuta laite heti! Älä kytke laitetta uudelleen päälle työkalun ollessa vielä kiinni juuttuneena, koska tästä saattaa aiheutua voimakas takaisku. Selvitä työkalun juuttumisen syy ja poista syy turvallisuusmääräyksiä noudattaen.

Mahdollisia syitä voivat olla:
• työkalun vinoutuminen työstökappaleessa
• työstetyn materiaalin puhkaiseminen
• sähkötyökalun ylikuormitus

Älä tartu käynnissä olevan koneen työosiin.
Käytetty työkalu saattaa kuumeta käytön aikana.
VAROITUS! Palovamman vaara
• työkalua vaihdettaessa
• laitetta pois laskettaessa

Lastuja tai puruja ei saa poistaa koneen käydessä.
Varo seinään, kattoon tai lattiaan porattaessa osumasta sähköjohtoon, kaasu- ja vesijohtoihin.
Varmista työstökappaleesi kiinnityslaitteella paikalleen. Varmistamattomat työstökappaleet saattavat aiheuttaa vakavia vammoja ja vaurioita.
Laitteen suojarusteita on ehdottomasti käytettävä.
Rikkinäisiä sahanteriä tai sellaisia, jotka ovat muuttaneet muotoaan ei saa käyttää!
Upotussahaus on mahdollista vain pehmeämpiin materiaaleihin (puu, kevytrakenteiset seinät), koviin materiaaleihin (metallit) on ensin tehtävä sahanterän suuruinen porausaukko.
Pidä sahaustuki aina työkaluun vasten.

Käytettyjä vaihtoakkuja ei saa polttaa eikä poistaa normaalin jätehuollon kautta. Milwaukeella on tarjolla vanhoja vaihtoakkuja varten ympäristöystävällinen jätehuoltopalvelu.
Vaihtoakkuja ei saa säilyttää yhdessä metalliesineiden kanssa (oikosulkuvaara).
Käytä ainoastaan System C18 latauslaitetta System C18 akkujen lataukseen. Älä käytä muiden järjestelmien akkuja.
On varottava, ettei latauslaitteiden vaihtoakkulatauskoloon joutu metalliesineitä (oikosulkuvaara).
Vaihtoakkuja ja latauslaitteita ei saa avata. Säilytys vain kuivissa tiloissa. Suojattava kosteudelta.
Vaurioituneesta akusta saattaa erityisen kovassa käytössä tai poikkeavassa lämpötilassa vuotaa akkuhappoa. Ihonkohta, joka on joutunut kosketukseen akkuhapon kanssa on viipymättä pestävä vedellä ja saippualla. Silmä, johon on joutunut akkuhappoa, on huuhdeltava vedellä vähintään 10 minuutin ajan, jonka jälkeen on viipymättä hakeuduttava lääkärin apuun.

TODISTUS CE-STANDARDINMUKAISUUDESTA

Vakuutamme yksinvastuullisesti, että kohdassa "Tekniset tiedot" kuvattu tuote vastaa kaikkia sitä koskevia direktiivien 2011/65/EU (RoHS), 2014/30/EU, 2006/42/EY määräyksiä sekä seuraavia harmonisoituja standardisoivia asiakirjoja:
EN 60745-1:2009 + A11:2010
EN 60745-2-11:2010
EN 55014-1:2006 + A1:2009 + A2:2011
EN 55014-2:1997 + A1:2001 + A2:2008
EN 50581:2012

Winnenden, 2016-03-29

Alexander Krug
Alexander Krug
Managing Director

CE

Valtuutettu kokoamaan tekniset dokumentit.
Techtronic Industries GmbH
Max-Eyth-Straße 10
71364 Winnenden
Germany

TARKOITUKSEN MUKAINEN KÄYTTÖ

Puukkosaha pystyy puuhun, muovisiin ja metalliin. Sillä voidaan sahata suorita, viistoja ja käyriä leikkauksia sekä reikiä.
Älä käytä tuotetta ohjeiden vastaisesti.

AKKU

Uudet vaihtoakut saavuttavat täyden varauskyvyn 4-5 latauksen ja purkauksen jälkeen. Pitkään käyttämättä olleet vaihtoakut on ladattava ennen käyttöä.
Yli 50°C lämpötilassa akun suorituskyky heikkenee. Vältäthän akkujen säilyttämistä auringossa tai kuumissa tiloissa.
Pidä aina latauslaitteen ja akun kosketinpinna puhtaina.
Mahdollisimman pitkän elinajan takaamiseksi akut tulee poistaa laturista lataamisen jälkeen.
Akkuja yli 30 päivää säilytettäessä:
Säilytä akku yli 27 °C:ssa ja kuivassa.
Säilytä akku sen latauksen ollessa 30 % - 50 %.
Lataa akku 6 kuukauden välein uudelleen.

AKUN YLIKUORMITUSSUOJAUS


Jos akku ylikuormittuu erittäin suuren virrankulutuksen vuoksi, esim. erittäin suurten vääntömomenttien, kiinnijuttumisen, äkillisen pysähtymisen tai lyhytsulun vuoksi, niin sähkötyökalu surisee 2 sekunnin ajan ja sammuu sitten omatoimisesti. Käynnistä laite uudelleen päästämällä katkaisinpainike irti ja kytkemällä se sitten uudelleen.
Erittäin suuressa kuormituksessa saattaa akku kuumeta liikaa. Tässä tapauksessa akku kytkeytyy pois.
Työnnä akku sitten latauslaitteeseen ja lataa se jälleen, jotta se aktivoituu.


Optimaalisen käyttöiän saavuttamiseksi akut on ladattava täyteen käytön jälkeen.


HUOLTO


Pidä moottorin ilmanottoaukot puhtaina.
Käytä vain Milwaukee:n lisälaitteita ja varaosia. Käytä ammattitaitoisten Milwaukee-huoltosopimusliikkeiden palveluja muiden kuin käyttöohjeessa kuvattujen osien vaihdossa. (esite takuu/huoltoilkeluettelo).
Tarpeen vaatiessa voit pyytää lähettämään laitteen kokoonpanopiirustuksen ilmoittamalla arvokilven numeron seuraavasta osoitteesta: Techtronic Industries GmbH, Max-Eyth-Straße 10, 71364 Winnenden, Germany.


SYMBOLIT

 **HUOMIO! VAROITUS! VAARA!**

 Ota akku pois ennen kaikkia koneeseen tehtäviä toimenpiteitä.

 Lue käyttöohjeet huolellisesti, ennen koneen käynnistämistä.

 Lisälaite - Ei sisälly vakiovarustukseen, saatavana lisätervikkeena.

 Sähkölaitteita ei saa hävittää yhdessä kotitalousjätteiden kanssa. Sähkö- ja elektroniset laitteet tulee kerätä erikseen ja toimittaa kierrätysliikkeeseen ympäristöystävällistä hävittämistä varten. Pyydä paikallisilta viranomaisilta tai alan kauppiailta tarkemmat tiedot kierrätyspisteistä ja keräyspaikoista.

CE
EAC

CE-merkki

EurAsian-vaatimusten mukaisuusmerkki.

TEKNİK VERİLER	AKÜ KILIÇ TESTERESİ	M18 BSX
Üretim numarası.....	4526 70 02...	4472 76 02...
000001-999999	
Maksimum kesme derinliği:		
Yumuşak tahtada.....	300 mm	
Çelikte.....	20 mm	
Alüminyum.....	25 mm	
Renkli metalde.....	25 mm	
Metal borular.....	150 mm	
Kartuş akü gerilimi.....	18 V	
Boşta ki strok sayısı.....	0-3000 min ⁻¹	
Strok yüksekliği.....	28,6 mm	
Ağırlığı ise EPTA-üretici 01/2003'e göre.....	4,0 kg	

Gürültü bilgileri
 Ölçüm değerleri EN 60 745 e göre belirlenmektedir.
 Aletin, frekansla bağımlı uluslararası ses basıncı seviyesi değerlendirme eğrisi A'ya göre tipik gürültü seviyesi:
 Ses basıncı seviyesi (Tolerans K=3dB(A)).....82,9 dB (A)
 Akustik kapasite seviyesi (Tolerans K=3dB(A)).....93,9 dB (A)

Koruyucu kulaklık kullanın!

Vibrasyon bilgileri
 Toplam titreşim değeri (üç yönün vektör toplamı) EN 60745'e göre belirlenmektedir:

Ağaç yontma
 Titreşim emisyon değeri a_h.....18,0 m/s²
 Tolerans K=.....1,5 m/s²
 Ağaç direklerin testere edilmesinde.
 Titreşim emisyon değeri a_h.....15,2 m/s²
 Tolerans K=.....1,5 m/s²

UYARI

Bu talimatlarda belirtilen titreşim seviyesi, EN 60745 standardına uygun bir ölçme metodu ile ölçülmüştür ve elektrikli el aletleri birbirleriyle karşılaştırmak için kullanılabilir. Ölçüm sonuçları ayrıca titreşim yükünün geçici değerlendirilmesi için de uygundur. Belirtilen titreşim seviyesi, elektrikli el aletinin genel uygulamaları için geçerlidir. Ancak elektrikli el aleti başka uygulamalar için, farklı eklenti parçalarıyla ya da yetersiz bakım koşullarında kullanılırsa, titreşim seviyesi farklılık gösterebilir. Bu durumda, titreşim yükü toplam çalışma zamanı aralığı içerisinde belirgin ölçüde yükselebilir. Titreşim yükünün tam bir değerlendirmesi için ayrıca cihazın kapalı olduğu süreler ve cihazın çalışır durumda olduğu, ancak gerçek kullanımda bulunmadığı süreler de dikkate alınmalıdır. Böylelikle, toplam çalışma zamanı aralığı boyunca meydana gelen titreşim yükü belirgin ölçüde azaltılabilir. Kullanıcıyı titreşimlerin etkisinden korumak üzere, örneğin elektrikli el aletlerinin ve eklenti parçalarının bakımı, ellerin sıcak tutulması ve iş aşılarının organizasyonu gibi ek güvenlik tedbirleri belirleyiniz.

⚠ UYARI! Bütün güvenlik notlarını ve talimatları okuyunuz. Açıklanan uyarılara ve talimat hükümlerine uyulmadığı takdirde elektrik çarpmalarına, yangınlara ve/veya ağır yaralanmalara neden olunabilir. **Bütün uyarıları ve talimat hükümlerini ileride kullanmak üzere saklayın.**

⚠ KILIÇ TESTERELER İÇİN GÜVENLİK UYARILARI

Koruyucu kulaklık kullanın. Çalışırken çıkan gürültü işitme kayıplarına neden olabilir. **Kesme aletinin eğrilmemiş elektrik kabloları isabet eden çalışmalar yapılırken cihazı izole edilmiş kollarından tutun.** Kesme aletinin içinden elektrik akımı geçen kablo ile temas etmesi durumunda elektrik akımı cihazın metal kısımlarına geçer ve elektrik çarpmasına sebebiyet verebilir.

EK GÜVENLİK VE ÇALIŞMA TALİMATLARI

Koruma teçhizatı kullanın.Makinada çalışırken devamlı surette koruyucu gözlük takın. Koruyucu elbise ve tozlardan korunma maskesi, emniyet eldivenleri ve sağlam ve kaymaya mukavim ayakkabı giyin. Başlık ve kulaklık tavsiye edilir. Çalışma sırasında ortaya çıkan toz genellikle sağlığa zararlıdır ve bedeninize temas etmemelidir. Uygun bir koruyucu toz maskesi kullanın Sağlık tehlikelerine neden olan malzemelerin işlenmesi yasaktır (örn. asbest). Uca yerleştirilen takımın bloke olması halinde lütfen cihazı hemen kapatın! Uca yerleştirilen takım bloke olduğu sürece cihazı tekrar çalıştırmayın; bu sırada yüksek reaksiyon

momentine sahip bir geri tepme meydana gelebilir. Uca yerleştirilen takımın neden bloke olduğuna bakın ve bu durumu güvenlik uyarılarına dikkat ederek gidiniz.

- Olası nedenler şunlar olabilir:
- İşlenen parça içinde takılma
 - İşlenen malzemenin delinmesi
 - Elektrikli alete aşırı yük binmesi

Ellerinizi çalışmaktaki olan makinenin içine uzatmayın.

Uca yerleştirilen takım kullanım sırasında ısınabilir.

- UYARI!** Yanma tehlikesi
- takım değiştirme sırasında
 - aletin yere bırakılması sırasında

Alet çalışır durumda iken talaş ve kırpıntıları temizlemeye çalışmayın.

Duvar, tavan ve zeminde delik açarken elektrik kablolarına, gaz ve su borularına dikkat edin.

İşlenen parçayı bir germe tertibatıyla emniyete alın. Emniyete alınmayan iş parçaları ağır yaralanmalar ve hasarlara neden olabilir.

Aletin koruyucu donanımını mutlaka kullanın.

Çatlamış ve deforme olmuş testere bıçaklarını kullanmayın! Malzeme içine dalarak kesme sadece yumuşak malzemelerde (tahta, duvarlarda kullanılan hafif yapı malzemeleri gibi) mümkündür. Sert malzemelerde ise testere bıçağı boyutuna uygun bir ön kılavuz delik açılmalıdır.

Kesme işlemi sırasında kılavuz kolu daima iş parçası üzerine dayayın.

Kullanılmış kartuş aküleri ateşe veya ev çöplerine atmayın. Milwaukee, kartuş akülerin çevreye zarar vermeyecek biçimde tasfiye edilmesine olanak sağlayan hizmet sunar; lütfen bu konuda yetkili satıcınızdan bilgi alın.

Kartuş aküleri metal parça veya eşyalarla birlikte saklamayın (kısa devre tehlikesi).

C18 sistemli kartuş aküleri sadece C18 sistemli şarj cihazları ile şarj edin. Başka sistemli aküleri şarj etmeyin.

Şarj cihazının kartuş akü yuvasına hiçbir şekilde metal parçalar kaçmamalıdır (kısa devre tehlikesi).

Kartuş aküleri ve şarj cihazını açmayın ve sadece kuru yerlerde saklayın. Neme ve ıslanmaya karşı koruyun.

Aşırı zorlanma veya aşırı ısınma sonucu hasar gören kartuş akülerden batarya sıvısı dışarı akabilir. Batarya sıvısı ile temas gelen yeri hemen bol su ve sabunla yıkayın. Batarya sıvısı gözünüze kaçacak olursa en azından 10 dakika yıkayın ve zaman geçirmeden bir hekime başvurun.

CE UYGUNLUK BEYANI

Tek sorumlu olarak "Teknik Veriler" bölümünde tarif edilen ürünün 2011/65/EU (RoHS), 2014/30/EU, 2006/42/EC sayılı direktifin ve aşağıdaki harmonize temel belgelerin bütün önemli hükümlerine uygun olduğunu beyan etmekteyiz:

EN 60745-1:2009 + A11:2010
 EN 60745-2-11:2010
 EN 55014-1:2006 + A1:2009 + A2:2011
 EN 55014-2:1997 + A1:2001 + A2:2008
 EN 50581:2012

Winnenden, 2016-03-29

Alexander Krug

Alexander Krug
 Managing Director



Teknik evrakları hazırlamakla görevlendirilmiştir.
 Techtronic Industries GmbH
 Max-Eyth-Straße 10
 71364 Winnenden
 Germany

KULLANIM

Bu panter testere tahta, plastik ve metalleri keser; düz, kavisi ve içten kesme işleri yapar. Boruları keser ve yüzeyle aynı hızda kesme yapar.

Bu alet sadece belirttiği gibi ve usulüne uygun olarak kullanılabilir.

AKÜ

Yeni kartuş aküler ancak 4-5 şarj/deşarj işleminden sonra tam kapasitelerine ulaşırlar. Uzun süre kullanım dışı kalmış kartuş aküleri kullanmadan önce şarj edin.

50°C üzerindeki sıcaklıklar kartuş akünün performansını düşürür. Akünün güneş ışığı veya mekân sıcaklığı altında uzun süre ısınmamasına dikkat edin.

Şarj cihazı ve kartuş aküdeki bağlantı kontaklarını temiz tutun. Ömrünün mümkün olduğu kadar uzun olması için akülerin yüklemeye yapıldıktan sonra doldurma cihazından uzaklaştırılması gerekir.

Akünün 30 günden daha fazla depolanması halinde: Aküyü takriben 27°C'de kuru olarak depolayın. Aküyü yüklemeye derinlikte %30 - %50 olarak depolayın. Aküyü her 6 ay yeniden doldurun.

AKÜNÜN AŞIRI YÜKLENMEYE KARŞI KORUNMASI

Pek fazla elektrik tüketimi yapılmak suretiyle aküye fazla yüklenildiğinde, örneğin aşırı devir momentleri, aniden durma veya kısa devre, elektrikli alet 2 saniye garip sesler çıkarır ve kendiliğinden durur.

Aleti yeniden çalıştırmak için şalter baskı kolunu serbest bırakın ve bundan sonra tekrar çalıştırın. Aşırı yüklenme durumunda ise akü pek fazla ısınır. Bu durumda akü kendiliğinden durur. Aküyü tekrar doldurmak ve aktif hale getirmek amacı ile şarja bağlayın.

Akünün ömrünün mükemmel bir şekilde uzun olması için kullandıktan sonra tamamen doldurulması gerekir.

BAKIM

Aletin havalandırma aralıklarını daima temiz tutun.

Sadece Milwaukee aksesuarını ve yedek parçalarını kullanın. Değiştirilmesi açıklanmamış olan parçaları bir Milwaukee müşteri servisinde değiştirin (Garanti broşürüne ve müşteri servisi adreslerine dikkat edin).

Gerektiği takdirde aletin dağıtık görünüş şeması, alet tipinin ve tip etiketi üzerindeki sayının bildirilmesi koşuluyla müşteri servisinden veya doğrudan Techtronic Industries GmbH, Max-Eyth-Straße 10, 71364 Winnenden, Germany adresinden istenebilir.

SEMBOLLER



⚠ DİKKAT! UYARI! TEHLİKE!



Aletin kendinde bir çalışma yapmadan önce kartuş aküyü çıkarın.



Lütfen aleti çalıştırmadan önce kullanma kılavuzunu dikkatli biçimde okuyun.



Aksesuar - Teslimat kapsamında değildir, önerilen tamamlamalar aksesuar programında.



Elektrikli cihazların evsel atıklarla birlikte bertaraf edilmesi yasaktır. Elektrikli ve elektronik cihazlar ayrılacak biriktirilmeli ve çevreye zarar vermeden bertaraf edilmeleri için bir atık değerlendirme tesisine götürülmelidir. Yerel makamlara veya satıcınıza geri dönüşüm tesisleri ve atık toplama merkezlerinin yerlerini danışınız.



CE işareti



EurAsian Uyumluluk işareti

TECHNICKÁ DATA AKU ŠAVLOVÁ PILA M18 BSX

Výrobní číslo.....	4526 70 02...
.....	4472 76 02...
.....	...00001-999999
Řezná hloubka max. v:	
Měkké dřevo.....	300 mm
Ocel.....	20 mm
Hliník.....	25 mm
Barevné kovy.....	25 mm
Kovové trubky.....	150 mm
Napětí výměnného akumulátoru.....	18 V
Počet zdvihů při b. napr.....	0-3000 min ⁻¹
Výška zdvihu.....	28,6 mm
Hmotnost podle prováděcího předpisu EPTA 01/2003.....	4,0 kg

Informace o hluku

Naměřené hodnoty odpovídají EN 60 745.

V třídě A posuzovaná hladina hluku přístroje činí typicky:

Hladina akustického tlaku (Kolísavost K=3dB(A)).....	82,9 dB (A)
Hladina akustického výkonu (Kolísavost K=3dB(A)).....	93,9 dB (A)

Používejte chrániče sluchu !

Informace o vibracích

Celkové hodnoty vibrací (vektorový součet tří směrů) zjištěné ve smyslu EN 60745.

Řezání dřeva

Hodnota vibračních emisí a _h	18,0 m/s ²
Kolísavost K=.....	1,5 m/s ²

Řezání dřevěných trámů

Hodnota vibračních emisí a _h	15,2 m/s ²
Kolísavost K=.....	1,5 m/s ²

VAROVÁN

Úroveň chvění uvedená v tomto návodu byla naměřena podle metody měření stanovené normou EN 60745 a může být použita pro porovnání elektrického nářadí. Hodí se také pro průběžný odhad zatížení chvěním.

Uvedená úroveň chvění představuje hlavní účely použití elektrického nářadí. Jestliže se ale elektrické nářadí používá pro jiné účely, s odlišnými nástroji nebo s nedostatečnou údržbou, může se úroveň chvění odlišovat. To může značně zvýšit zatížení chvěním během celé pracovní doby.

Pro přesný odhad zatížení chvěním se musí také zohlednit časy, během kterých je přístroj vypnutý nebo kdy je sice v chodu, ale skutečně se s ním nepracuje. To může zatížení chvěním během celé pracovní doby značně snížit.

Stanovte doplňková bezpečnostní opatření pro ochranu obsluhy před účinky chvění jako například: technická údržba elektrického nářadí a nástrojů, udržování teploty rukou, organizace pracovních procesů.

UPOZORNĚNÍ! Přečtěte si všechny bezpečnostní pokyny a návody. Zanedbání při dodržování varovných upozornění a pokynů mohou mít za následek úder elektrickým proudem, požár a/nebo těžká poranění.

Všechna varovná upozornění a pokyny do budoucna uschovejte.

BEZPEČNOSTNÍ POKYNY PRO ŠAVLOVÉ PILY

Používejte chrániče sluchu. Působením hluku může dojít k poškození sluchu.

Při provádění prací, při kterých nástroj může narazit na skryta elektrická vedení, držte přístroj za izolované přídržovací plošky. Kontakt řezného nástroje s vedením pod napětím může vést k přenosu napětí na kovové části přístroje a k úrazu elektrickým proudem.

DALŠÍ BEZPEČNOSTNÍ A PRACOVNÍ POKYNY

Použijte ochranné vybavení. Při práci s elektrickým nářadím používejte vždy ochranné brýle. Doporučujeme rovněž použití součástí ochranného oděvu a ochranné obuvi, jako protiprašné masky, ochranných rukavic, pevné a neklouzající obuvi, ochranné přilby a ochrany sluchu.

Prach vznikající při práci s tímto nářadím může být zdraví škodlivý. Proto by neměl přijít do styku s tělem. Používejte při práci vhodnou ochrannou masku.

Nesmějí se opracovávat materiály, které mohou způsobit ohrožení zdraví (např. azbest)

Při zablokování nasazeného nástroje přístroj okamžitě vypněte! Přístroj nezapínajte, pokud je nasazený nástroj zablokovaný; mohl by při tom vzniknout zpětný náraz s vysokým reakčním momentem. Zjistěte příčinu zablokování nasazeného nástroje a odstraňte ji při dodržení bezpečnostních pokynů.

Možnými příčinami mohou být:

- vzpříčení v opracovávaném obrobku
- přelomení opracovávaného materiálu
- přetížení elektrického přístroje

Nezasahujte do běžícího stroje.

Nasazený nástroj se může během používání rozpálit.

VAROVÁNÍ! Nebezpečí popálení.

- při výměně nástroje
- při odkládání přístroje

Pokud stroj běží, nesmí být odstraňovány třísky nebo odštěpky.

Při vrtní do zdi, stropu nebo podlahy dávat pozor na elektrické kabely, plynová a vodovodní potrubí.

Obrobek zabezpečte upínacím zařízením. Nezabezpečené obrobky mohou způsobit těžká poranění a poškození.

Bezpodmínečně používat ochranná zařízení přímočaré pily.

Popraskané nebo zdeformované pilové listy nesmí být používány!

Tagzvané ponorné řezy jsou možné jen u měkkých materiálů. Zapneme nástroj a nasadíme ho na vodič třmen, jednou rukou dobře přidržujeme kryt a druhou rukou zatlačíme ovladač nahoru a zanoříme pilový list.

Při řezání přiložte na kus vodič úhelník.

Použití nevyhazujte do domovního odpadu nebo do ohně. Milwaukee nabízí ekologickou likvidaci starých článků, ptejte se u vašeho obchodníka s nářadím.

Náhradní akumulátor neskladujte s kovovými předměty, nebezpečí zkratu.

Akumulátor systému C18 nabíjejte pouze nabíječkou systému C18. Nenabíjejte akumulátory jiných systémů.

V nabíjecím postu nabíječky neskladujte kovové předměty, nebezpečí zkratu.

Náhradní akumulátory ani nabíječku neotvírejte, skladujte je v suchu, chraňte před vlhkem.

Při extrémní zátěži či vysoké teplotě může z akumulátoru vytékat kapalina. Při zasažení touto kapalinou okamžitě zasažená místa omýjte vodou a mýdlem. Při zasažení očí okamžitě důkladně po dobu alespoň 10min.omývat a neodkladně vyhledat lékaře.

CE-PROHLÁŠENÍ O SHODĚ

Výhradně na vlastní zodpovědnost prohlašujeme, že se výrobek popsaný v "Technických údajích" shoduje se všemi relevantními předpisy směrnice 2011/65/EU (RoHS), 2014/30/ES, 2006/42/ES a s následujícími harmonizovanými normativními dokumenty:

EN 60745-1:2009 + A11:2010

EN 60745-2-11:2010

EN 55014-1:2006 + A1:2009 + A2:2011

EN 55014-2:1997 + A1:2001 + A2:2008

EN 50581:2012

Winnenden, 2016-03-29

Alexander Krug

Alexander Krug
Managing Director



Zplnomocněn k sestavování technických podkladů.

Techtronic Industries GmbH

Max-Eyth-Straße 10

71364 Winnenden

Germany

OBLAST VYUŽITÍ

Šavlová pila řeže dřevo, plasty a kov. Řeže přímkové, v křivkách a vnitřní průřezy. Řeže trubky a odděluje plochy.

Toto zařízení lze používat jen pro uvedený účel.

AKUMULÁTORY

Nový akumulátor dosáhne plné kapacity po 4 - 5 nabíjecích cyklech. Děle nepoužívané akumulátory je nutné před použitím znovu nabít.

Teplota přes 50°C snižuje výkon akumulátoru. Chraňte před dlouhým přehříváním na slunci či u topení.

Kontakty nabíječky a akumulátoru udržujte v čistotě.

K zabezpečení dlouhé životnosti by se akumulátory měly po nabití vyjmout z nabíječky.

Při skladování akumulátoru po dobu delší než 30 dní:

Skladujte akumulátor v suchu při cca 27°C.

Skladujte akumulátor při cca 30%-50% nabíjecí kapacity.

Opakujte nabíjení akumulátoru každých 6 měsíců.

OCHRANA PROTI PŘETÍŽENÍ AKUMULÁTORU

Při přetížení akumulátoru přilíš vysokým odběrem proudu, například při extrémně vysokých točivých momentech, při blokování, náhlém zastavení nebo zkratu, začne vrtáčka na 2 sekundy bruchet a poté se samočinně vypne.

K opětovnému zapnutí uvolněte spínací tlačítko a poté jej opět zapněte.

Při extrémním zatížení se akumulátor může silně zahřát.

Dojde-li k tomu, akumulátor se vypne.

Akumulátor v tomto případě k dobíání a aktivaci vložte opět do nabíječky.

Pro optimální životnost je nutné akumulátory po použití plně dobít.

ÚDRŽBA

Větrací štěrby nářadí udržujeme stále čisté.

Používejte výhradně náhradní díly a příslušenství Milwaukee. Díly, jejichž výměna nebyla popsána, nechávejte vyměnit v odborném servisu Milwaukee. (Viz záruční list.)

Při potřebě podrobného rozkresu konstrukce, oslovte informaci o typu a čísle přímo servis a nebo výrobce, Techtronic Industries GmbH, Max-Eyth-Straße 10, 71364 Winnenden, Germany.

SYMBOLY



POZOR! VAROVÁNÍ! NEBEZPEČÍ!



Před zahájením veškerých prací na vrtacím šroubováku vyjmout výměnný akumulátor.



Před spuštěním stroje si pečlivě přečtěte návod k používání.



Příslušenství není součástí dodávky, viz program příslušenství.



Elektrické přístroje se nesmí likvidovat společně s odpadem z domácnosti. Elektrické a elektronické přístroje je třeba sbírat odděleně a odevzdat je v recyklačním podniku na ekologickou likvidaci. Na místních úřadech nebo u vašeho specializovaného prodejce se informujte na recyklační podniky a sběrné dvory.



Značka CE



Euroasijská značka shody

DANE TECHNICZNE	PILARKA SZABLASTA AKUMULATOROWA	M18 BSX
Numer produkcyjny.....	4526 70 02...	4472 76 02...
00001-999999
Maksymalna głębokość cięcia		300 mm
Drewno miękkie		20 mm
Stal		25 mm
Aluminium.....		25 mm
Metale nieżelazne		25 mm
Rury metalowe		150 mm
Napięcie baterii akumulatorowej.....		18 V
Skok bez obciążenia		0-3000 min ⁻¹
Długość skoku		28,6 mm
Ciężar wg procedury EPTA 01/2003		4,0 kg

Informacja dotycząca szumów

Zmierzone wartości wyznaczono zgodnie z normą EN 60 745. Poziom szumów urządzenia oszacowany jako A wynosi typowo: Poziom ciśnienia akustycznego (Niepewność K=3dB(A)).....82,9 dB (A)
Poziom mocy akustycznej (Niepewność K=3dB(A)).....93,9 dB (A)

Należy używać ochroniaczy uszu!

Informacje dotyczące wibracji

Wartości łączne drgań (suma wektorowa trzech kierunków) wyznaczone zgodnie z normą EN 60745

Piłowanie drewna	
Wartość emisji drgań a _w	18,0 m/s ²
Niepewność K=	1,5 m/s ²
Przecinanie belek drewnianych	
Wartość emisji drgań a _w	15,2 m/s ²
Niepewność K=	1,5 m/s ²

OSTRZEŻENIE

Podany w niniejszych instrukcjach poziom drgań został zmierzony za pomocą metody pomiarowej zgodnej z normą EN 60745 i może być użyty do porównania ze sobą elektronarzędzi. Nadaje się on również do tymczasowej oceny obciążenia wibracyjnego.

Podany poziom drgań reprezentuje główne zastosowania elektronarzędzia. Jeśli jednakże elektronarzędzie użyte zostanie do innych celów z innym narzędziami roboczymi lub nie jest dostatecznie konserwowane, wtedy poziom drgań może wykazywać odchylenia. Może to wyraźnie zwiększyć obciążenie wibracjami przez cały okres pracy.

Dla dokładnego określenia obciążenia wibracjami należy uwzględnić również czasy, w których urządzenie jest wyłączone względnie jest włączone, lecz w rzeczywistości nie pracuje. Może to spowodować wyraźną redukcję obciążenia wibracyjnego w całym okresie pracy.

Należy wprowadzić dodatkowe środki zapobiegawcze celem ochrony obsługującego przed oddziaływaniem drgań, jak na przykład: konserwacja narzędzi roboczych i elektronarzędzi, nagrzanie rąk, organizacja przebiegu pracy.

⚠ OSTRZEŻENIE! Należy przeczytać wszystkie wskazówki dotyczące bezpieczeństwa i instrukcje. Błędy w przestrzeganiu poniższych wskazówek mogą spowodować porażenie prądem, pożar i/lub ciężkie obrażenia ciała. **Należy starannie przechowywać wszystkie przepisy i wskazówki bezpieczeństwa dla dalszego zastosowania.**

⚠ WSKAZÓWKI DOTYCZĄCE BEZPIECZEŃSTWA DLA PIŁ SZABLASTYCH

Stosować środki ochrony słuchu! Narażenie na hałas może spowodować utratę słuchu.

Trzymaj urządzenie za izolowane powierzchnie chwytne gdy wykonujesz roboty, w trakcie których narzędzie skrawające może natrafić na ukryte przewody prądowe. Styczność narzędzia skrawającego z będącymi pod napięciem przewodem może spowodować podłączenie części metalowych urządzenia do napięcia i prowadzić do porażenia prądem elektrycznym.

DODATKOWE WSKAZÓWKI BEZPIECZEŃSTWA I INSTRUKCJE ROBOCZE

Stosować wyposażenie ochronne. Przy pracy maszyną zawsze nosić okulary ochronne. Zalecana jest odzież ochronna, jak maska pyłochronna, rękawice ochronne, mocne i chroniące przed poślizgiem obuwie, kask i ochronniki słuchu.

Kurz powstający przy pracy z tym elektronarzędziem może być szkodliwy dla zdrowia, w związku z tym nie powinien dotrzeć do ciała. Nosić odpowiednią maskę przeciwpyłową.

Nie wolno obrabiać materiałów, które mogą być przyczyną zagrożenia zdrowia (na przykład azbestu).

W przypadku zablokowania narzędzia nasadzanego należy natychmiast wyłączyć urządzenie! Nie należy ponownie włączyć urządzenia tak długo, jak długo narzędzie nasadzone jest

zablokowane; przy tym mógłby powstać odrzut zwrotny o dużym momencie reakcyjnym. Należy wykryć i usunąć przyczynę zablokowania narzędzia nasadzanego uwzględniając wskazówki dotyczące bezpieczeństwa.

Możliwymi przyczynami tego mogą być:

- Skośne ustawienie się w poddawany obróbce przedmiocie obrabianym
- Przerwanie materiału poddawanego obróbce
- Przeciążenie narzędzia elektrycznego

Nie należy sięgać do wnętrza maszyny będącej w ruchu.

Narzędzie nasadzone może w trakcie użytkowania stać się gorące.

OSTRZEŻENIE! Niebezpieczeństwo oparzenia się

- przy wymianie narzędzia
- przy odstawianiu urządzenia

Podczas pracy elektronarzędzia nie wolno usuwać trocin ani drzazg.

Podczas pracy przy ścianach, suficie i podłodze należy uważać na kable elektryczne, przewody gazowe i wodociągowe.

Należy zabezpieczyć przedmiot poddawany obróbce za pomocą urządzenia mocującego. Niezabezpieczone przedmioty poddawane obróbce mogą spowodować ciężkie obrażenia ciała i uszkodzenia.

Zawsze stosować osłony ochronne na elektronarzędziu.

Nie używać pękniętych lub zniekształconych brzeszczotów!

Wykonywanie cięć wgłębnych bez uprzedniego nawiercenia otworu możliwe jest tylko w materiałach miękkich (drewno, lekkie materiały budowlane na ściany). W twardszych materiałach (metalach) należy najpierw wywiercić otwór odpowiadający rozmiarowi brzeszczotu.

Podczas cięcia prowadnica musi się zawsze stykać z obrabianym materiałem.

Zużytych akumulatorów nie wolno wrzucać do ognia ani traktować jako odpadów domowych. Milwaukee oferuje ekologiczną utylizację zużytych akumulatorów.

Nie przechowywać akumulatorów wraz z przedmiotami metalowymi (niebezpieczeństwo zwarcia).

Akumulatory Systemu C18 należy ładować wyłącznie przy pomocy ładowarek Systemu C18. Nie ładować przy pomocy tych ładowarek akumulatorów innych systemów.

Do ładowarki nie wolno wkładać żadnych przedmiotów metalowych (niebezpieczeństwo zwarcia).

Nie otwierać wkładek akumulatorowych i ładowarek.

Przechowywać w suchych pomieszczeniach. Chronić przed wilgocią.

W skrajnych warunkach temperaturowych lub przy bardzo dużym obciążeniu może dochodzić do wycieku kwasu akumulatorowego z uszkodzonych baterii akumulatorowych. W przypadku kontaktu z kwasem akumulatorowym należy natychmiast przemyć miejsce kontaktu wodą z mydłem. W przypadku kontaktu z oczami należy dokładnie przepłukać oczy przynajmniej przez 10 minut i zwrócić się natychmiast o pomoc medyczną.

DEKLARACJA ZGODNOŚCI CE

Oświadczamy na naszą wyłączną odpowiedzialność, że produkt opisany w punkcie "Dane techniczne" jest zgodny ze wszystkimi istotnymi przepisami Dyrektywy 2011/65/EU (RoHS), 2014/30/UE, 2006/42/WE oraz z następującymi zharmonizowanymi dokumentami normatywnymi:

EN 60745-1:2009 + A11:2010
EN 60745-2-11:2010
EN 55014-1:2006 + A1:2009 + A2:2011
EN 55014-2:1997 + A1:2001 + A2:2008
EN 50581:2012

Winnenden, 2016-03-29



Alexander Krug
Managing Director



Upelnomocniony do zestawienia danych technicznych

Techtronic Industries GmbH
Max-Eyth-Straße 10
71364 Winnenden
Germany

WARUNKI UŻYTKOWANIA

Przenośna piła ręczna z napędem elektrycznym do cięcia drewna, tworzy sztucznych i metalu. Możliwość cięcia po linii krzywej i obcinania równo z powierzchnią.

Produkt można użytkować wyłącznie zgodnie z jego normalnym przeznaczeniem.

BATERIE AKUMULATOROWE

Nowe baterie akumulatorowe osiągają swoją pełną pojemność po 4 - 5 cyklach ładowania i rozładowywania. Akumulatory, które nie były przez dłuższy czas użytkowane, należy przed użyciem naładować.

W temperaturze powyżej 50°C następuje spadek osiągniętych wkładki akumulatorowej. Unikać długotrwałego wystawienia na oddziaływanie ciepła lub promieni słonecznych (niebezpieczeństwo przegrzania).

Styki ładowarek i wkładek akumulatorowych należy utrzymywać w czystości

Dla zapewnienia możliwie długiej żywotności akumulatory należy wyjąć z ładowarki po ich naładowaniu.

W przypadku składowania akumulatorów dłużej aniżeli 30 dni: Przechowywać je w suchym miejscu w temperaturze ok. 27°C. Przechowywać je w stanie naładowanym do ok. 30% - 50%. Ładować je ponownie co 6 miesięcy.

ZABEZPIECZENIE PRZECIĄŻENIOWE AKUMULATORA

Przy przeciążeniu akumulatora bardzo dużym prądem na przykład wskutek ekstremalnie dużych momentów obrotowych, zakleszczenia, nagłego zatrzymania się lub zwarcia narzędzie elektryczne 'buczy' przez 2 sekundy i samoczynnie wyłącza się. W celu ponownego włączenia należy zwolnić, a następnie ponownie włączyć przycisk wyłącznika. Pod ekstremalnymi obciążeniami może dojść do silnego nagrzania się akumulatora. W takim wypadku akumulator wyłącza się.

Wówczas należy włożyć akumulator do ładowarki, aby go ponownie naładować i aktywować.

Dla zapewnienia optymalnej żywotności akumulatory po użyciu należy naładować do pełnej pojemności.

UTRZYMANIE I KONSERWACJA

Otwory wentylacyjne elektronarzędzia muszą być zawsze drożne.

Należy stosować wyłącznie wyposażenie dodatkowe i części zamienne Milwaukee. W przypadku konieczności wymiany części, dla których nie podano opisu, należy skontaktować się z przedstawicielami serwisu Milwaukee (patrz lista punktów obsługi gwarancyjnej/serwisowej).

Na życzenie można otrzymać rysunek widoku zespołu rozebranego. Przy zamawianiu należy podać numer oraz typ elektronarzędzia umieszczonego na tabliczce znamionowej. Zamówienia można dokonać albo u lokalnych przedstawicieli serwisu, albo bezpośrednio w Techtronic Industries GmbH, Max-Eyth-Straße 10, 71364 Winnenden, Germany.

SYMBOLE



UWAGA! OSTRZEŻENIE
NIEBEZPIECZEŃSTWO!



Przed przystąpieniem do jakichkolwiek prac na elektronarzędziu należy wyjąć wkładkę akumulatorową.



Przed uruchomieniem elektronarzędzia zapoznać się uważnie z treścią instrukcji.



Wyposażenie dodatkowe dostępne osobno.



Urządzenia elektryczne nie mogą być usuwane razem z odpadami pochodzącymi z gospodarstw domowych.

Urządzenia elektryczne i elektroniczne należy gromadzić oddzielnie i w celu usuwania ich do odpadów zgodnie z wymaganiami środowiska naturalnego oddawać do przedsiębiorstwa utylizacyjnego.

Proszę zasięgnąć informacji o centrach recyklingowych i punktach zbiorczych u władz lokalnych lub u wyspecjalizowanego dostawcy.



Znak CE

Znak zgodności EurAsian

TEHNILISED ANDMED JUHTMETA TÜKELDUSSAAG M18 BSX

Table with 2 columns: Specification (e.g., Tootmisnumber, Lõikesügavus maks, Pehme puit) and Value (e.g., 4526 70 02, 300 mm).

Müra andmed: Mõõteväärtused on kindlaks tehtud vastavalt normile EN 60 745. Seadme tüüpiline hinnanguline (A) müratase: Helirõhutase (Määramatus K=3dB(A)) 82,9 dB (A), Helivõimsuse tase (Määramatus K=3dB(A)) 93,9 dB (A).

Kandke kaitseks kõrvaklappe! Vibratsiooni andmed: Vibratsiooni koguväärtus (kolme suuna vektorsummmõõdetud EN 60745 järgi), Puidu saagimine: Vibratsiooni emissiooni väärtus a_n 18,0 m/s^2, Määramatus K= 1,5 m/s^2, Puitprusside saagimine: Vibratsiooni emissiooni väärtus a_n 15,2 m/s^2, Määramatus K= 1,5 m/s^2.

TÄHELEPANU: Antud juhendis toodud võnketase on mõõdetud EN 60745 standardile vastava mõõtesüsteemiga ning seda võib kasutada erinevate elektriseadmete omavahelises võrdlemises. Antud näitaja sobib ka esmaseks võnkekoormuse hindamiseks.

Antud võnketase kehtib elektriseadme kasutamisel sihtotstarbiseliselt. Kui elektriseadet kasutatakse muudel otstarvetel, muude tööriistadega või seda ei hooldata piisavalt võib võnketase siintoodust erineda. Eeltoodu võib võnketaset märkimisväärselt tõsta terves töökeskkonnas.

Võnketaseme täpsaks hindamiseks tuleks arvestada ka aega, mil seade on välja lülitatud või on küll sisse lülitatud, kuid ei ole otseselt kasutusel. See võib märgatavalt vähendada kogu töökeskkonna võnketaset.

Rakendage spetsiaalseid ettevaatusabinõusid töötajate suhtes, kes puutuvad töö käigus palju kokku vibratsiooniga. Nendeks abinõudeks võivad olla, näiteks: elektri- ja tööseadmete korraline hooldus, käte soojendamine, töövoo parem organiseerimine.

HOIATUS! Lugege kõiki ohutusjuhiseid ja korraldusi. Ohutusnõuete ja juhiste eiramise tagajärjeks võib olla elektrilöök, tulekahju ja/või raskek vigastused. Hoidke kõik ohutusnõuded ja juhised edasiseks kasutamiseks hoolikalt alles.

IIGERSAAGIDE OHUTUSJUHISED

Kandke kaitseks kõrvaklappe. Müra mõju võib kutsuda esile kuulmise kaotuse.

Tööde puhul, kus lõikeseade võib minna vastu peidetud elektrijuhtmeid, hoidke kinni seadme isoleeritud käepidemetest. Kokkupuude pingestatud juhtmega võib pingestada ka lõikeseadme metallist osad ning põhjustada elektrilöögi.

EDASISED OHUTUS- JA TÖÖJUHISED

Kasutada kaitsevarustust. Masinaga töötamisel kanda alati kaitseprille. Kaitseriietusena soovitatatakse kasutada tolumumaski kaitsekindaid, kinniseid ja libisemisvastase tallaga jalanõusid, kiivrit ja kuulmisteede kaitset.

Töö ajal tekkiv tolm on sageli tervistkahjustav ning ei tohiks sattuda organismi. Kanda sobivat kaitsemaski.

Töödelda ei tohi materjale, millest lähtub oht tervisele (nt asbest).

Palun lülitage seade rakendustööriista blokeerumise korral kohe välja! Ärge lülitage seadet sisse tagasi, kuni rakendustööriist on blokeeritud; seejuures võib kõrge

reaktsioonimomendiga tagasilöökk tekkida. Tehke ohutusjuhiseid arvesse võttes kindlaks ja kõrvaldage rakendustööriista blokeerumise põhjus.

Selle võimalikeks põhjusteks võivad olla: viltu asetumine töödeldavas toorikus, töödeldava materjali läbimurdumine, elektritööriista ülekoormamine

Ärge sisestage jäsemeid töötavasse masinasse. Rakendustööriist võib kasutamise ajal kuumaks minna. TÄHELEPANU! Põletusohu: tööriista vahetamisel, seadme ärapanemisel

Puru ega pilpaid ei tohi eemaldada masina töötamise ajal. Sein, lae või põranda tööde puhul pidage silmas elektrijuhtmeid, gaasi- ja veetorusid.

Kinnitage toorik kinnipingutusseadisega. Kinnitamata toorikud võivad raskeid vigastusi ja kahjustusi põhjustada.

Kasutage tingimata masina kaitseesadist. Mõranend ja deformeerunud saeleht ei tohi kasutada! Sukeldumise saagimine on võimalik ainult pehmemate materjalide puhul (puit, kerged seinamaterjalid), kõvemate materjalide (metallide) puhul tuleb saagimiseks puurida saelehe suurussele vastav auk.

Saagimisel asetage juhtkaar alati toorikule toeks. Ärge visake tarvitatud vahetatavaid akusid tulle ega olmeprügisse. Milwaukee pakub vanade akude keskkonnahoidlikku käitlust; palun küsige oma erialaselt tarnijalt.

Ärge säilitage vahetatavaid akusid koos metallesemetega (lühiseoht).

Laadige süsteemi C18 vahetatavaid akusid ainult süsteemi C18 laadjatega. Ärge laadige nendega teiste süsteemide akusid.

Laadijal olevasse vahetatava aku ühenduskambrisse ei tohi sattuda metalloosi (lühiseoht).

Ärge avage vahetatavaid akusid ega laadijaid ning ladustage neid ainult kuivadest ruumides. Kaitske niiskuse eest.

Äärmuslikul koormusel või äärmuslikul temperatuuril võib kahjustatud vahetatavast akust akuvedelik välja voolata. Akuvedelikuga kokkupuutumise korral peske kohe vee ja seebiga. Silma sattumise korral loputage kiiresti põhjalikult vähemalt 10 minutit ning pöörduge viivitamatult arsti poole.

EÜ VASTAVUSAVALDUS

Me deklareerime ainuisikuliselt vastutades, et lõigus "Tehnilised andmed" kirjeldatud toode vastab direktiivide 2011/65/EU (RoHS), 2014/30/EU, 2006/42/EÜ kõigile olulisele tähtsusega eskirjadele ning järgmistele harmoniseeritud normatiivsetele dokumentidele:

- EN 60745-1:2009 + A11:2010
- EN 60745-2-11:2010
- EN 55014-1:2006 + A1:2009 + A2:2011
- EN 55014-2:1997 + A1:2001 + A2:2008
- EN 50581:2012

Winnenden, 2016-03-29

Alexander Krug Managing Director

On volitatud koostama tehnilist dokumentatsiooni. Techtronic Industries GmbH Max-Eyth-Straße 10 71364 Winnenden Germany

KASUTAMINE VASTAVALT OTSTARBELE

Saabelsaag puidu, plasti ja metalli lõikamiseks. Sobib sirg-, kurv- ning siseväljalõigeteks. Lõikab torusid ning mööda tasapinda.

Antud seadet tohib kasutada ainult vastavalt äranäidatud otstarbele.

AKUD

Uued vahetatavad akud saavutavad oma täieliku mahtuvuse pärast 4–5 laadimis- ja tühjendatsükli. Pikemat aega mittekasutatud akusid laadige veel enne kasutamist.

Temperatuur üle 50 °C vähendab vahetatava aku töövoimet. Vältige pikemat soojenemist päikese või kütteseadme mõjul. Hoidke laadija ja vahetatava aku ühenduskontaktid puhtad.

Akud tuleks võimalikult pika kasutusea saavutamiseks pärast täislaadimist laadijast välja võtta.

Aku ladustamisel üle 30 päeva: Ladustage akut kuivas kohas u 27°C juures. Ladustage akut u 30-50% laetusseisundis. Laadige aku iga 6 kuu tagant täis.

AKU KOORMUSKAITSE

Aku ülekoormamisel kõrge voolutarbimisega, blokeerumisel, äkilisel seisakumisel või lühise tekkimisel, vibreerib elektritööriist 2 sekundit ning seejärel lülitub automaatselt välja. Uuesti sisse lülitamiseks tuleb päästik esmalt vabastada ning seejärel uuesti alla suruda. Ülisuurel koormusel võib aku kuumeneda kõrgete temperatuurideni. Sellisel juhul lülitub aku välja.

Aku tuleb laadimiseks ja taasaktiveerimiseks sisestada laadimiseadmesse.

Optimaalse patarei eluea tagamiseks, pärast kasutamist lae patareiplokk täielikult.

HOOLDUS

Hoidke masina õhutuspiilud alati puhtad. Kasutage ainult Milwaukee tarvikuid ja tagavaraosi. Detailid, mille väljavahetamist pole kirjeldatud, laske välja vahetada Milwaukee klienditeeninduspunktis (vaadake brošüüri garantii / klienditeeninduste aadressid).

Vajaduse korral võite tellida seadme läbilõikejoonise, näidates ära masina tüübi ja andmesildil oleva numbr. Selleks pöörduge klienditeeninduspunkti või otsse: Techtronic Industries GmbH, Max-Eyth-Straße 10, 71364 Winnenden, Germany.

SÜMBOLID

ETTEVAATUST! TÄHELEPANU! OHUD! (Warning symbol)

Enne kõiki töid masina kallal võtke vahetatav aku välja. (Battery removal symbol)

Palun lugege enne käikukulkmist kasutamishend hoolikalt läbi. (Manual reading symbol)

Tarvikud - ei kuulu tarne komplekti, soovitatav täiendus on saadaval tarvikute programmis. (Accessories symbol)

Elektriseadmeid ei tohi utiliseerida koos majapidamisprügiga. Elektrilised ja elektroonilised seadmed tuleb eraldi kokku koguda ning keskkonnasõbralikuks utiliseerimiseks vastavas käitlusettevõttes ära anda. (WEEE symbol)

Küsi kohalikest pädevatest ametitest või edasimüüjalt käitlusjaamade ja kogumispunktide kohta järele. (Information symbol)

CE-märk (CE mark)

Euraasia vastavusmärk. (Eurasian conformity mark)

ТЕХНИЧЕСКИЕ ДАННЫЕ АКК. САБЕЛЬНАЯ ПИЛА M18 BSX

Серийный номер изделия4526 70 02...
4472 76 02...
000001-999999

Макс. глубина резки в:
 Мягкое дерево300 mm
 Сталь20 mm
 Алюминий25 mm
 Цветной металл25 mm
 Металлическая труба150 mm
 Вольтаж аккумулятора18 V
 Частота хода без нагрузки0-3000 min⁻¹
 Длина хода28,6 mm
 Вес согласно процедуре EPTA 01/20034,0 kg

Информация по шумам
 Значения замерялись в соответствии со стандартом EN 60 745.
 Уровень шума прибора, определенный по показателю A, обычно составляет:
 Уровень звукового давления (Небезопасность K=3dB(A))82,9 dB (A)
 Уровень звуковой мощности (Небезопасность K=3dB(A))93,9 dB (A)

Пользуйтесь приспособлениями для защиты слуха.
Информация по вибрации
 Общие значения вибрации (векторная сумма трех направлений) определены в соответствии с EN 60745.
 Пиление дерева
 Значение вибродвижения эмиссии a_h18,0 m/s²
 Небезопасность K=1,5 m/s²
 Пиление деревянных балок
 Значение вибродвижения эмиссии a_h15,2 m/s²
 Небезопасность K=1,5 m/s²

ВНИМАНИЕ

Указанный в настоящем руководстве уровень вибрации измерен в соответствии с технологией измерения, установленной стандартом EN 60745 и может использоваться для сравнения электроинструментов друг с другом. Он также подходит для предварительной оценки вибродвижения нагрузки. Указанный уровень вибрации представляет основные виды использования электроинструмента. Но если электроинструмент используется для других целей, используемый инструмент отклоняется от указанного или техническое обслуживание было недостаточным, то уровень вибрации может отклоняться от указанного. В этом случае вибродвижение нагрузка в течение всего периода работы значительно увеличивается. Для точной оценки вибродвижения нагрузки необходимо также учитывать время, в течение которого прибор отключен или включен, но фактически не используется. В этом случае вибродвижение нагрузка в течение всего периода работы может существенно уменьшиться.

Установите дополнительные меры безопасности для защиты пользователя от воздействия вибрации, например: техническое обслуживание электроинструмента и используемого инструмента, поддержание рук в теплом состоянии, организация рабочих процессов.

⚠ ПРЕДУПРЕЖДЕНИЕ! Прочтите все указания по безопасности и инструкции.

Улучшения, допущенные при соблюдении указаний и инструкций по технике безопасности, могут стать причиной электрического поражения, пожара и тяжелых травм. **Сохраняйте эти инструкции и указания для будущего использования.**

⚠ УКАЗАНИЯ ПО БЕЗОПАСНОСТИ ДЛЯ САБЕЛЬНЫХ ПИЛ

Используйте наушники! Воздействие шума может привести к потере слуха.

Если Вы выполняете работы, при которых режущий инструмент может зацепить скрытую электропроводку кабель, инструмент следует держать за специально предназначенные для этого изолированные поверхности. Контакт режущего инструмента с токоведущим проводом может ставить под напряжение металлические части прибора, а также приводить к удару электрическим током.

ДОПОЛНИТЕЛЬНЫЕ УКАЗАНИЯ ПО БЕЗОПАСНОСТИ И РАБОТЕ

Пользоваться средствами защиты. Работать с инструментом всегда в защитных очках. Рекомендуется спецодежда: пылезащитная маска, защитные перчатки, прочная и нескользящая обувь, каска и наушники. Пыль, возникающая при работе данным инструментом, может нанести вред здоровью. Не следует допускать её попадания в организм. Надевайте противопылевой респиратор. Запрещается обрабатывать материалы, которые могут нанести вред здоровью (напр., асбест). При блокировании используемого инструмента немедленно выключить прибор! Не включайте прибор до тех пор, пока используемый инструмент заблокирован, в противном случае может возникнуть

отдача с высоким реактивным моментом. Определите и уберите причину блокирования используемого инструмента с учетом указаний по безопасности. Возможными причинами могут быть:
 • перекос заготовки, подлежащей обработке
 • разрушение материала, подлежащего обработке
 • перегрузка электроинструмента

Не прикасаться к работающему станку. Используемый инструмент может нагреваться во время применения. **ВНИМАНИЕ!** Опасность получения ожога
 • при смене инструмента
 • при укладывании прибора

Не убирайте опилки и обломки при включенном инструменте. При работе в стенах, потолках или полу следите за тем, чтобы не повредить электрические кабели или водопроводные трубы. Зафиксируйте вашу заготовку с помощью зажимного приспособления. Незафиксированные заготовки могут привести к тяжелым травмам и повреждениям.


Всегда пользуйтесь защитной крышкой на инструменте. Не используйте треснувшие или погнутые полотна пилы. Врезание без предварительного высверливания отверстий возможно в мягких материалах (дерево, легких строительных материалах для стен). В более твердых материалах (металле) необходимо сначала просверлить отверстия, соответствующие размеру пыльного полотна. При пилении всегда прижимайте направляющий башмак к обрабатываемой детали.

Не выбрасывайте использованные аккумуляторы вместе с домашним мусором и не сжигайте их. Дистрибьюторы компании Milwaukee предлагают восстановление старых аккумуляторов, чтобы защитить окружающую среду.

Не храните аккумуляторы вместе с металлическими предметами во избежание короткого замыкания. Для зарядки аккумуляторов модели C18 используйте только зарядным устройством C18. Не заряжайте аккумуляторы других систем. Не допускается попадания каких-либо металлических предметов в аккумуляторный отсек зарядного устройства во избежание короткого замыкания. Никогда не вскрывайте аккумуляторы или зарядные устройства и храните их только в сухих помещениях. Следите, чтобы они всегда были сухими. Аккумуляторная батарея может быть повреждена и дать течь под воздействием чрезмерных температур или повышенной нагрузки. В случае контакта с аккумуляторной кислотой немедленно промойте место контакта мылом и водой. В случае попадания кислоты в глаза промойте глаза в течении 10 минут и немедленно обратитесь за медицинской помощью.

ДЕКЛАРАЦИЯ О СООТВЕТСТВИИ СТАНДАРТАМ ЕС

Мы заявляем под собственную ответственность, что изделие, описанное в разделе "Технические характеристики", соответствует всем важным предписаниям Директивы 2011/65/EU (Директива об ограничении применения опасных веществ в электрических и электронных приборах), 2014/30/EU, 2006/42/EC и приведенным далее гармонизированным нормативным документам:
 EN 60745-1:2009 + A11:2010
 EN 60745-2-11:2010
 EN 55014-1:2006 + A1:2009 + A2:2011
 EN 55014-2:1997 + A1:2001 + A2:2008
 EN 50581:2012

Winnenden, 2016-03-29

 Alexander Krug
 Managing Director
 Полномочен на составление технической документации.
 Techtronic Industries GmbH
 Max-Eyth-Straße 10
 71364 Winnenden
 Germany

ИСПОЛЬЗОВАНИЕ

Эта сабельная пила пилит дерево, пластик и металл. Она может пилить по кривой и заподлицо с поверхностью. Не пользуйтесь данным инструментом способом, отличным от указанного для нормального применения.

АККУМУЛЯТОР

Новый аккумулятор заряжается до полной емкости после 4 - 5 зарядных циклов. Перед использованием аккумулятора, которым не пользовались некоторое время, его необходимо зарядить. Температура свыше 50°C снижает работоспособность аккумуляторов. Избегайте продолжительного нагрева или прямого солнечного света (риск перегрева). Контакты зарядного устройства и аккумуляторов должны содержаться в чистоте. Для достижения максимального срока службы аккумуляторы после зарядки следует вынимать из зарядного устройства. При хранении аккумулятора более 30 дней: Храните аккумулятор при 27°C в сухом месте. Храните аккумулятор с зарядом примерно 30% - 50%. Каждые 6 месяцев аккумулятор следует заряжать.

ЗАЩИТА АККУМУЛЯТОРА ОТ ПЕРЕГРУЗКИ

При перегрузке аккумулятора из-за очень высокого расхода электроэнергии, напр., предельно высоких крутящих моментов, заклинивания, внезапной остановки или короткого замыкания, электроинструмент гудит 2 секунды и автоматически отключается. Для повторного включения отпустить кнопку выключателя и затем


снова включить. При предельно высоких нагрузках аккумулятор может сильно нагреться. В этом случае аккумулятор отключится. Чтобы снова зарядить и активировать аккумулятор, подключите его к зарядному устройству. Для обеспечения оптимального срока службы аккумулятора необходимо полностью заряжать после использования прибора.


ОБСЛУЖИВАНИЕ

Всегда держите охлаждающие отверстия чистыми. Пользуйтесь аксессуарами и запасными частями только фирмы Milwaukee. В случае возникновения необходимости в замене, которая не была описана, пожалуйста, обратитесь на один из сервисных центров (см. список наших гарантийных/сервисных организаций). При необходимости может быть заказан чертеж инструмента с трехмерным изображением деталей. Пожалуйста, укажите номер и тип инструмента и закажите чертеж у Ваших местных агентов или непосредственно у Techtronic Industries GmbH, Max-Eyth-Straße 10, 71364 Winnenden, Germany.

СИМВОЛЫ

-  **ВНИМАНИЕ! ПРЕДУПРЕЖДЕНИЕ! ОПАСНОСТЬ!**
-  Выньте аккумулятор из машины перед проведением с ней каких-либо манипуляций.
-  Пожалуйста, внимательно прочтите инструкцию по использованию перед началом любых операций с инструментом.
-  Принадлежности - В стандартную комплектацию не входит, поставляется в качестве дополнительной принадлежности.
-  Электрические устройства нельзя утилизировать вместе с бытовым мусором. Электрические и электронные устройства следует собирать отдельно и сдавать в специализированную утилизирующую компанию для утилизации в соответствии с нормами охраны окружающей среды. Сведения о центрах вторичной переработки и пунктах сбора можно получить в местных органах власти или у вашего специализированного дилера.

 Знак CE
 Сертификата о соответствии No. RU C-DE.ME77.B.01610
 Срок действия сертификата о соответствии по 18.06.2019
 ООО «Центр по сертификации стандартизации и систем качества электро-машиностроительной продукции» 141400, РФ, Московская область, г. Химки, Ул. Ленинградская, 29

 Национальный знак відповідності України
 TR 066

ТЕХНИЧЕСКИ ДАННИ АКУМУЛАТОРЕН САБЛЕВИДЕН ТРИОН M18 BSX	
Производствен номер.....	4526 70 02... 4472 76 02... ...00001-999999
Макс. дълбочина на рязане в: меко дърво.....	300 mm
Стомана.....	20 mm
Алуминий.....	25 mm
цветни метали.....	25 mm
метални тръби.....	150 mm
Напрежение на акумулатора.....	18 V
Честота на движението на триончето на празен ход.....	0-3000 min ⁻¹
Височина на хода.....	28,6 mm
Тегло съгласно процедурата EPTA 01/2003.....	4,0 kg

Информация за шума
Измерените стойности са получени съобразно EN 60 745. Оцененото с А ниво на шума на уреда е съответно:
Равнище на звуковото налягане (Несигурност K=3dB(A)) 82,9 dB (A)
Равнище на мощността на звука (Несигурност K=3dB(A)) 93,9 dB (A)
Да се носи предпазно средство за слуха!

Информация за вибрациите
Общите стойности на вибрациите (векторна сума на три посоки) са определени в съответствие с EN 60745.
Рязане на дърво
Стойност на емисии на вибрациите a_h..... 18,0 m/s²
Несигурност K=..... 1,5 m/s²
Рязане на дървени трупи
Стойност на емисии на вибрациите a_h..... 15,2 m/s²
Несигурност K=..... 1,5 m/s²

ВНИМАНИЕ

Посоченото в тези инструкции ниво на вибрациите е измерено в съответствие със стандартизиран в EN 60745 измервателен метод и може да се използва за сравнение на електрически инструменти помежду им. Подходящ е и за временна оценка на вибрационното натоварване.

Посоченото ниво на вибрациите представя основните приложения на електрическия инструмент. Ако обаче електрическият инструмент се използва с друго предназначение, с различни сменяеми инструменти или при недостатъчна техническа поддръжка, нивото на вибрациите може да е различно. Това чувствително може да увеличи вибрационното натоварване по време на целия работен цикъл.

За точната оценка на вибрационното натоварване трябва да се вземат предвид и периодите от време, в които уредът е изключен или работи, но в действителност не се използва. Това чувствително може да намали вибрационното натоварване по време на целия работен цикъл.

Определете допълнителни мерки по техника на безопасност в защита на обслужващия работник от въздействието на вибрациите като например: техническа поддръжка на електрическия инструмент и сменяемите инструменти, поддръжане на ръцете топли, организация на работния цикъл.

⚠ ПРЕДУПРЕЖДЕНИЕ! Прочетете всички указания и напътствия за безопасност.

Пропуски при спазването на указанията и напътствията за безопасност могат да доведат до токов удар, пожар и/или тежки наранявания.

Съхранявайте указанията и напътствията за безопасност за справка при нужда.

⚠ ИНСТРУКЦИИ ЗА БЕЗОПАСНОСТ ЗА САБЛЕНИ ТРИОНИ.

Носете средство за защита на слуха. Въздействието на шума може да предизвика загуба на слуха.

Дръжте уреда за изолираните ръкохватки, когато извършвате работи, при които режещият инструмент може да засегне скрити електроинсталационни кабели. Контактът на режещия инструмент с тоководещ проводник може да предаде напрежението върху метални части на уреда и да доведе до токов удар.

ДОПЪЛНИТЕЛНИ УКАЗАНИЯ ЗА РАБОТА И БЕЗОПАСНОСТ

Да се използват предпазни средства. При работа с машината винаги носете предпазни очила. Препоръчват се защитно облекло и прахозащитна маска, защитни ръкавици, здрави и нехлъзгащи се обувки, каска и предпазни средства за слуха.

Прахът, който се образува при работата, често е вреден за здравето и не бива да попада в тялото. Да се носи подходяща прахозащитна маска.

Не е разрешена обработката на материали, които представляват опасност за здравето (напр. азбест).

Ако използваният инструмент блокира, изключете веднага уреда! Не включвайте уреда отново, докато използваният инструмент е блокиран; това би могло да доведе до откат с висока реактивна сила. Открийте и отстранете причината за блокирането на използвания инструмент имайки в предвид инструкциите за безопасност.

Възможните причини за това могат да бъдат:

- Заклинване в обработаната част
- Пробиване на материала
- Пренатоварване на електрическия инструмент

Не бъркайте в машината, докато тя работи.

Използваният инструмент може да загрее по време на употреба.

ВНИМАНИЕ! Опасност от изгаряния

- при смяна на инструмента
- при оставяне на уреда

Стружки или отчупени парчета да не се отстраняват, докато машина работи.

При работа в стени, тавани или подове внимавайте за кабели, газопроводи и водопроводи.

Закрепете обработваната част с устройство за захващане. Незакрепени части за обработка могат да причинят сериозни наранявания и материални щети.

Предпазните устройства на машината да се използват задължително.

Да не се използват напукани режещи листове или такива, които са се деформирали!

Рязане с потъване на триона е възможно само при по-меки материали (дърво, леки строителни материали за стени), а при по-твърди материали (метали) трябва да се направи голям отвор съобразно режещия лист.

При рязане водещата скоба винаги да приляга към обработвания материал..

Не изхвърляйте изхабените акумулатори в огъня или в при битовите отпадъци. Milwaukee предлага екологосъобразно събиране на старите акумулатори; моля попитайте Вашия специализиран търговец.

Не съхранявайте акумулаторите заедно с метални предмети (опасност от късо съединение).

Акумулатори от системата C18 да се зареждат само със зарядни устройства от системата C18 laden. Да не се зареждат акумулатори от други системи.

В гнездото за акумулатори на зарядните устройства не бива да попадат метални части (опасност от късо съединение).

Не отваряйте акумулатори и зарядни устройства и ги съхранявайте само в сухи помещения. Пазете ги от влага.

При екстремно натоварване или екстремна температура от повредени акумулатори може да изтече батерийна течност. При допир с такава течност веднага измийте с вода и сапун. При контакт с очите веднага изплаквайте старателно най-малко 10 минути и незабавно потърсете лекар.

СЕ - ДЕКЛАРАЦИЯ ЗА СЪОТВЕТСТВИЕ

Заявяваме под собствена отговорност, че описаният в "Технически данни" продукт съответства на всички важни разпоредби на директива 2011/65/EU (RoHS), 2014/30/EU, 2006/42/ЕО, както и на всички следващи нормативни документи във тази връзка.

EN 60745-1:2009 + A11:2010
EN 60745-2-11:2010
EN 55014-1:2006 + A1:2009 + A2:2011
EN 55014-2:1997 + A1:2001 + A2:2008
EN 50581:2012

Winnenden, 2016-03-29



Alexander Krug
Managing Director



Упълномощен за съставяне на техническата документация
Techtronic Industries GmbH
Max-Eyth-Straße 10
71364 Winnenden
Germany

ИЗПОЛЗВАНЕ ПО ПРЕДНАЗНАЧЕНИЕ

Саблевидният трион реже дърво, пластмаса и метал. Той реже по права и по крива линия, прави вътрешни изрези. Той реже тръби и разделя повърхности подравнено.

Този уред може да се използва по предназначение само както е посочено.

АКУМУЛАТОРИ

Новите сменяеми акумулатори достигат пълния си капацитет след 4-5 цикъла на зареждане и разреждане. Акумулатори, които не са ползвани по-дълго време, преди употреба да се дозаредят.

Температура над 50°C намалява мощността на акумулатора. Да се избягва по-продължително нагряване на слънце или от отопление.

Поддържайте чисти присъединителните контакти на зарядното устройство и на акумулатора.

За възможно по-дълга продължителност на живот батериите трябва да се изваждат от уреда след зареждане.

При съхранение на батериите за повече от 30 дни: съхранявайте батерията при прилб. 27°C и на сухо място. Съхранявайте батерията при 30 до 50 % от заряда. Зареждайте батерията на всеки 6 месеца.

ЗАЩИТА ОТ ПРЕТОВАРВАНЕ НА БАТЕРИЯТА

При претоварване на акумулатора поради много висока консумация на ток, напр. много високи въртящи моменти, заклиняване, внезапно стоп или късо съединение, електрическият инструмент бърмчи 2 секунди и самостоятелно се изключва.

За ново включване освободете бутона за включване и отново го включете.

При извънредни натоварвания акумулаторът може да се нагрее силно. В този случай акумулаторът изключва.

Тогава акумулаторът да се включи към зарядното устройство, за да се дозареди и активира.

За оптимална продължителност на живот след употреба батериите трябва да се заредят напълно.

ПОДДРЪЖКА

Вентилационните шлицы на машината да се поддържат винаги чисти.

Да се използват само аксесоари на Milwaukee и резервни части на. Елементи, чията подмяна не е описана, да се дадат за подмяна в сервис на Milwaukee (вижте брошурата "Гаранция и адреси на сервизи").

При необходимост можете да поискате за уреда от Вашия сервис или директно от Techtronic Industries GmbH, Max-Eyth-Straße 10, 71364 Winnenden, Germany, чертеж за в случай на експлозия, като посочите типа на машината и номер върху заводската табелка.

СИМВОЛИ



ВНИМАНИЕ! ПРЕДУПРЕЖДЕНИЕ!
ОПАСНОСТ



Преди започване на каквито е да е работи по машината извадете акумулатора.



Преди пускане на уреда в действие моля прочетете внимателно инструкцията за използване.



Аксесоари - Не се съдържат в обема на доставката, препоръчвано допълнение от програмата за аксесоари.



Електрическите уреди не трябва да се изхвърлят заедно с битовите отпадъци. Електрическото и електронното оборудване трябва да се събират отделно и да се предават на службите за рециклиране на отпадъците според изискванията за опазване на околната среда.

Информирайте се при местните служби или при местните специализирани търговци относно местата за събиране и центровете за рециклиране на отпадъци.



СЕ-знак



EurAsian знак за съответствие.

技术数据	充电式马刀锯	M18 BSX
生产号	4526 70 02...	4472 76 02...
.....00001-999999
最大切深在:		
软木	300 mm	
钢	20 mm	
铝	25 mm	
有色金属	25 mm	
金属管	150 mm	
蓄电池电压	18 V	
无负载跳跃次数	0-3000 min ⁻¹	
跳跃高度	28,6 mm	
重量符合EPTA – Procedure 01 / 2003	4,0 kg	
噪音信息		
本测量值符合 EN 60 745 条文的规定。		
器械的标准A-值噪音级为:		
音压值 (K=-不可靠性=3dB(A))	82,9 dB (A)	
音量值 (K=-不可靠性=3dB(A))	93,9 dB (A)	

请戴上护耳罩！

振动信息
依欧盟EN 60745 标准确定的振荡总值（三方向矢量和）。

木材锯开	
a _v -振荡发射值	18,0 m/s ²
K=-不可靠性	1,5 m/s ²
锯开木梁	
a _v -振荡发射值	15,2 m/s ²
K=-不可靠性	1,5 m/s ²

注意

本规程列出的依欧盟EN 60745 标准一项标准测量方法测量的振荡级也可用于电动工具比较并适合于临时振荡负荷估计。
该振荡级代表电动工具的主要应用。电动工具的其他应用，不正确的工作工具或欠缺维护可造成振荡级偏差。此可明确提高总工作期间的振荡负荷。

正确地估计一定工作期间的振荡负荷也要考虑到工具关闭或接通而不使用的期间。此可明确减少总工作期间的振荡负荷。

为提高操作人员对振荡作用的保护得规定补充安全措施：电动工具及工作工具的维护，温手，工作过程组织等。

警告！ 务必阅读所有安全提示和指示。如未确实 遵循警告提示和指示，可能导致电击、火灾并且/ 或其他的严重伤害。
妥善保存所有的警告提示和指示，以便日后查阅。

有关往复锯的安全提示

请戴上耳罩。工作噪音会损坏听力。

切割工具会碰到隐藏电线或自己的电缆时，得将器械握住于其绝缘把手表面。

其它安全和工作指示

使用防护装备。操作机器时务必佩戴护目镜。最好也使用下列的防护装备，例如防尘面具、护手套、坚固而且止滑的工作鞋、安全头盔和耳罩等。

工作尘往往有害健康，不可以让工作尘接触身体。工作时请佩戴合适的防尘面具。

严禁加工会导致健康危险的材料（石棉等）。

施工工具被卡住时，请及时关闭机器！为避免高反作用力矩，施工工具被卡住时不要重新接通机器。应按照安全提示查找并排除施工工具卡住的原因。

有下列可能原因：

- 工具斜卡在要加工工件中
- 要加工材料的破裂
- 电动工具超载

手指不要接近运行中的机器。

进行工作时，被操作施工工具会发热。

警告! 烧伤危险

- 更换工具时
- 放下机器时

如果机器仍在运转，切勿清除其上的木屑或金属碎片。

在墙壁、天花板或地板工作时，必须特别注意被隐埋的电线、瓦斯管和水管。

应通过夹紧装置锁定工件。未锁定工件会导致重伤和损坏。

务必使用机器的安全保护设备。

不可以使用有裂痕或已经变形的锯刀。

潜锯专用电锯只能锯割软的材料（例如木材和用来砌墙的轻建材料）。如果使用本机器锯割硬的材料（例如钢铁），必须先在工件上钻一个和锯片宽度相当的孔。

锯割时一定要把导引架靠在工件上。

损坏的蓄电池不可以丢入火中或一般的家庭垃圾中。Milwaukee 提供了符合环保要求的回收项目： 请向您的专业经销商索取有关详情。

蓄电池不可以和金属物体存放在一起（可能产生短路）。

C18 系列的蓄电池只能和 C18 系列的充电器配合使用。不可以使用本充电器为其它系列的电池充电。

充电器的充电格中，不可以存在任何金属物质（可能产生短路）。

不可拆开蓄电池和充电器。蓄电池和充电器必须储藏在干燥的空间，勿让湿气渗入。

在过度超荷或极端的温度下，可能从损坏的蓄电池中流出液体。如果触摸了此液体，必须马上使用肥皂和大量清水冲洗。如果此类流体侵入眼睛，马上用清水彻底清洗眼睛（至少冲洗 10 分钟），接着立刻就医治疗。

欧洲安全规定说明

在我方的全权责任下我方在此声明，“技术数据”下所描述的产品符合于2011/65/EU (RoHS)、2014/30/EU、2006/42/EC等欧共体准则的所有有关规定和下列标准和标准化文件：

EN 60745-1:2009 + A11:2010
EN 60745-2-11:2010
EN 55014-1:2006 + A1:2009 + A2:2011
EN 55014-2:1997 + A1:2001 + A2:2008
EN 50581:2012

Winnenden, 2016-03-29

Alexander Krug

Alexander Krug
Managing Director



授权编纂技术资料。

Techtronic Industries GmbH
Max-Eyth-Straße 10
71364 Winnenden
Germany

正确地使用机器

本马刀锯可以用来锯木材、塑料和金属。它可进行直线割锯、曲线割锯并且也能够挖槽。也可以使用本机器锯割管子，锯缘整齐不起毛边。

请依照本说明书的指示使用此机器。

蓄电池

新的蓄电池经过 4 - 5 次的充、放电后，可达到最大的电容量。长期储放的蓄电池，必须先充电再使用。

如果周围环境的温度超过摄氏 50 度，蓄电池的功能会减弱。勿让蓄电池长期曝露在阳光或暖气下。

充电器和蓄电池的接触点都必须保持干净。

为确保最长使用寿命，充电后应把蓄电池从充电器取出。

蓄电池储存时间长于30日：

在环境温度27oC左右干燥处储存蓄电池。

在百分之30至50充电状态储存蓄电池。

每6月重新充电。

蓄电池超载保护

极端高扭矩，钻头被卡住，突然停止或短路等情况下特别高电流消耗所造成蓄电池超载时，电动工具发出响声两秒并自动断开。为继续工作，放开开关按钮并再接通。

极端超载时，蓄电池过热。这种情况下，蓄电池自动断开。

此时，将蓄电池插入充电器，再充电并激活蓄电池。

为获得最长寿命，使用后应把蓄电池充满电。

维修

机器的通气孔必须随时保持清洁。

只能使用 Milwaukee 的配件和零件。缺少检修说明的机件如果损坏了，必须交给 Milwaukee 的顾客服务中心更换（参考手册“保证书 / 顾客服务中心地址”）。

如果需要机器的分解图，可以向您的顾客服务中心或直接向 Techtronic Industries GmbH, Max-Eyth-Straße 10, 71364 Winnenden, Germany。案件时必须提供以下资料： 机型和机器铭牌上的号码。

符号



请注意 !警告！危险！



在机器上进行任何修护工作之前，先拿出蓄电池。



使用本机器之前请详细阅读使用说明书。



配件 - 不包含在供货范围中。请另外从配件目录选购。



电气工具必须与生活垃圾分开处理。电气机器和电子机器必须单独分开收集并送到回收站以确保符合环境保护的处理。有关回收站和收集站的细节，请与主管当局或您的专业经销商联络。



欧洲共同体标志

欧亚合格性标志。

Copyright 2016
Techtronic Industries GmbH
Max-Eyth-Straße 10
71364 Winnenden
Germany
+49 (0) 7195-12-0



(01.16)

4931 4147 17